

1. Caution and Safety Instructions

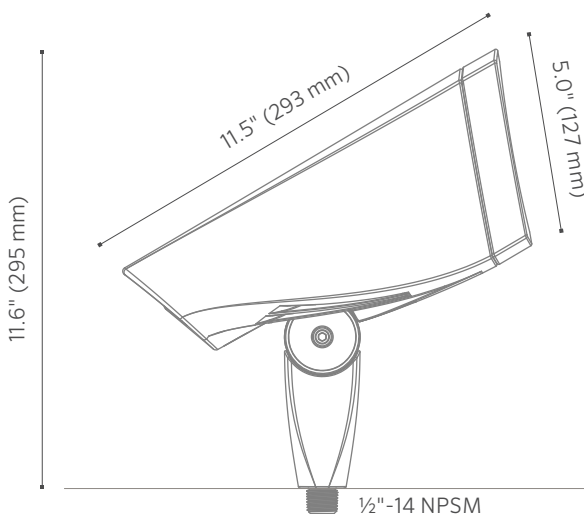


- Qualified personnel must install and/or service product in a manner consistent with its intended use and in compliance with the National Electrical Code, Canadian Electrical Code, and/or all local and provincial codes.
- Follow all product label information and installation instructions.
- Turn off power at fuse or circuit breaker before installation or servicing.
- The use of damaged components may cause an unsafe condition and void product warranty.
- Do not block light emanating from product in whole or part.
- Never operate the fixture with missing or damaged lens. Clean lens on a regular basis.
- Entire fixture may become extremely hot. Do not touch hot lens or fixture body. Do not touch the light source at any time.
- Keep all O-rings and sealing surfaces clean during installation and servicing; failure to do this may lead to premature failure of the product.



2. Product Information

- Suitable for mounting within 1.2 meter (4 feet) off the ground.

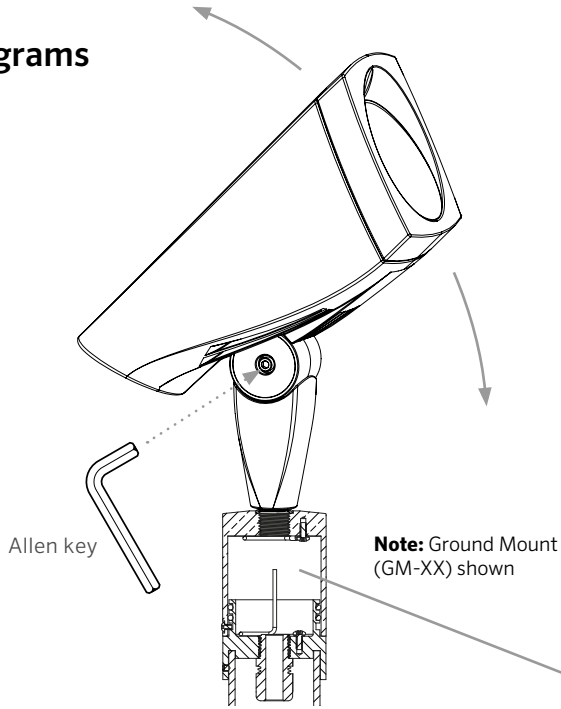


Tools Needed:

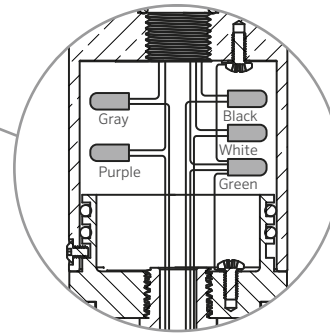
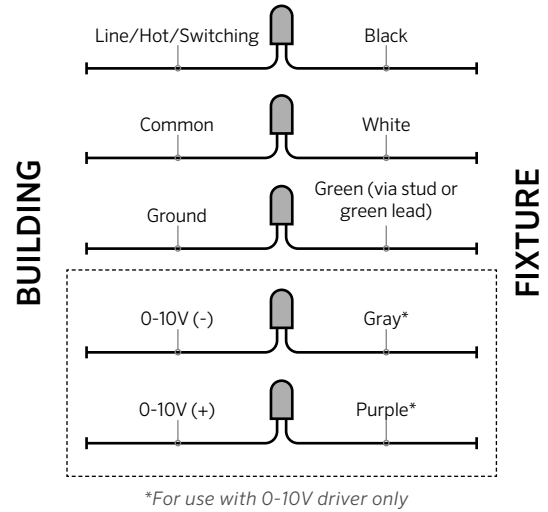
- 3/16" Allen key (installation)
- 9/64" Allen key (servicing)
- #1 Phillips screwdriver (servicing)
- #2 Phillips screwdriver (servicing)

3. Product Installation

Diagrams



Wiring Chart



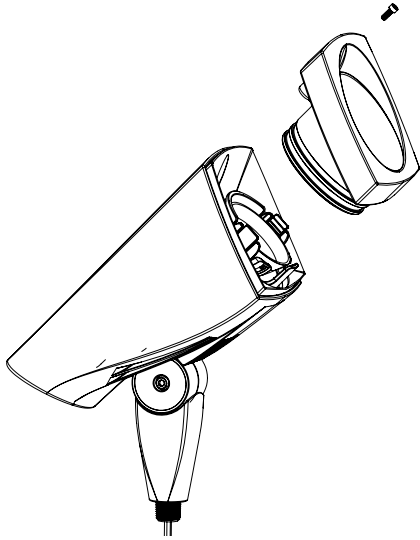
Upon installation, use a 3/16" Allen key to adjust the angle of the fixture according to plan requirements.

Power Requirements

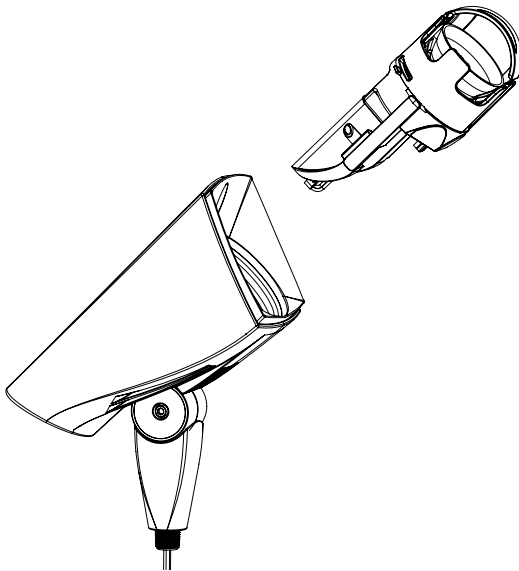
	Standard Voltage (SV)	Universal Voltage (UV)	High Voltage (HV)
Input Power	120V	110V to 277V	220V to 240V
Dimming	Phase	0-10V	0-10V
Number of wires	3	5	5
	Black, White, Green	Black, White, Green, Purple, Gray	Black, White, Green, Purple, Gray

4. Repair/Replacement Instructions

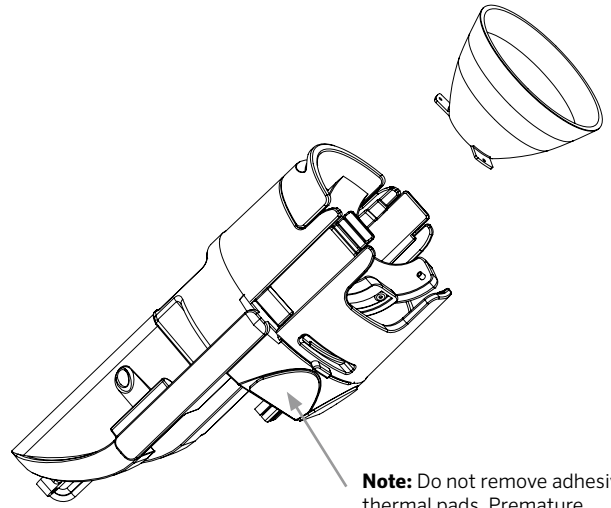
- Standard Optics (20°, 40°, and 60°)



1. Use a $\frac{9}{64}$ " Allen key to unfasten the 8-32 x $\frac{7}{16}$ " (11 mm) screw, using a $\frac{9}{64}$ " Allen key. Lift the cap outward to remove. Avoid using metal tools to protect the powder coat finish.

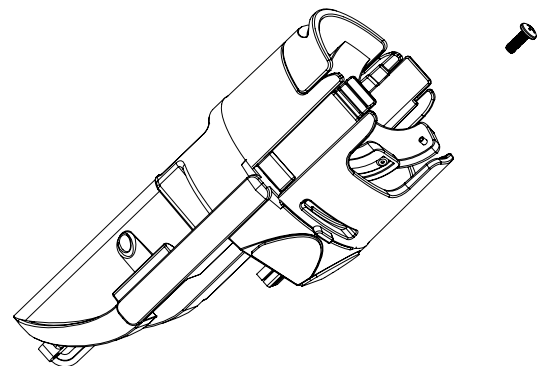


2. Lift the cartridge arm and turn it counterclockwise to release the lock. Pull the complete cartridge out of the fixture housing.



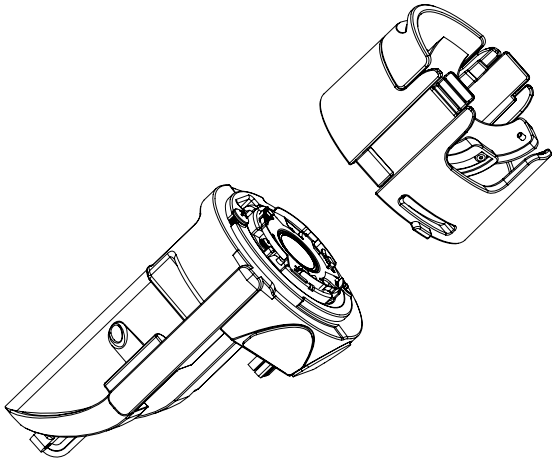
Note: Do not remove adhesive thermal pads. Premature failure may result.

3. Rotate the cartridge arm back into the neutral position. Twist the optic counterclockwise and pull outward to remove the optic.

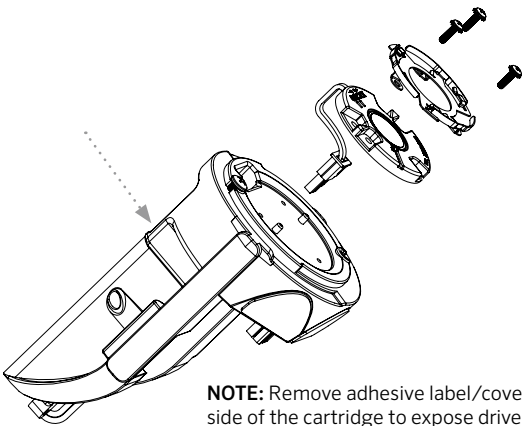


4. Use a #2 Phillips screwdriver to unfasten one screw inside the cartridge.

4. Repair/Replacement Instructions (continued)

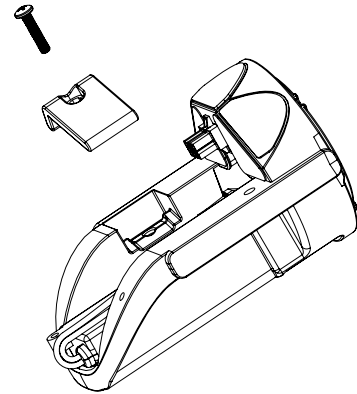


5. Twist and agitate the upper cartridge component to remove the top portion.

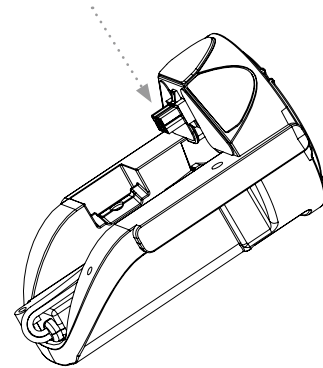


NOTE: Remove adhesive label/cover from the side of the cartridge to expose driver wiring. Disconnect wire connectors between the driver and the LED module before completely removing the LED module.

6. Use a Phillips #1 screwdriver to unfasten the three LED module screws. Remove the reflector adapter ring and LED module from cartridge platform.

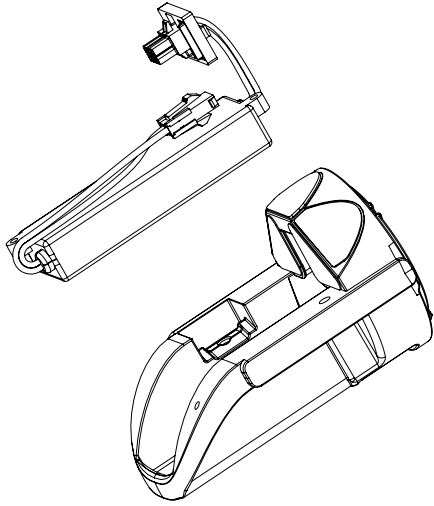


7. Remove the driver clamp using a #2 Phillips screwdriver.



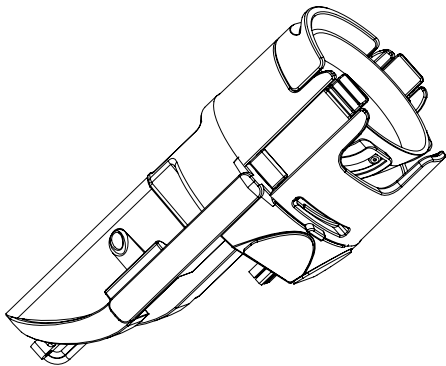
8. Push the black, six-pin connector downward to unlock it from the cartridge.

4. Repair/Replacement Instructions (continued)

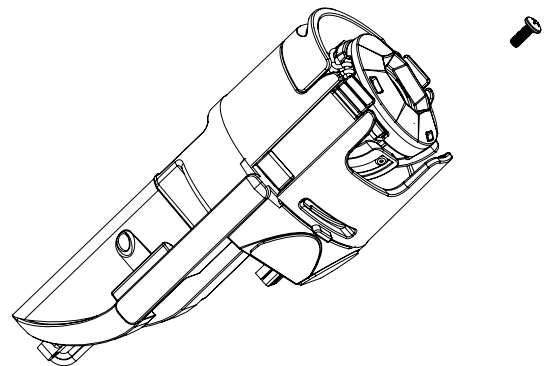


9. Remove the driver from the cartridge.

Very Wide and Wall Wash Options

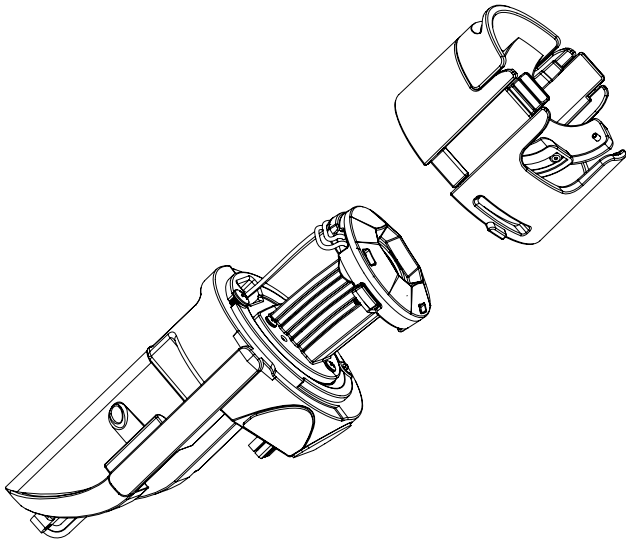


1. Disassemble the fixture using steps 1 and 2 in previous section.

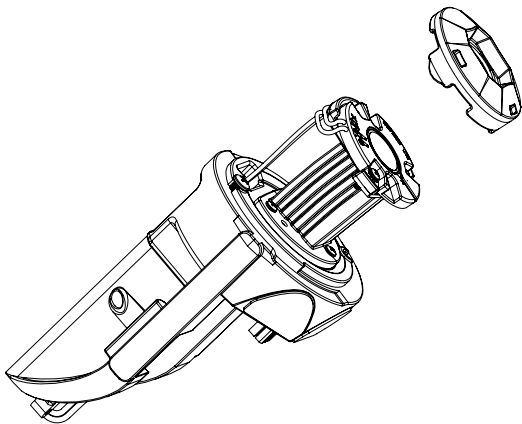


2. Use a #2 Phillips screwdriver to unfasten one screw inside the cartridge.

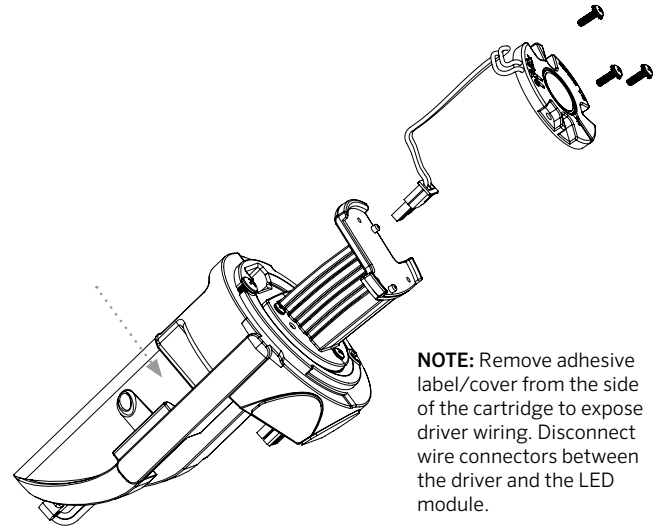
4. Repair/Replacement Instructions (continued)



3. Twist and agitate the upper cartridge component to remove the top portion.

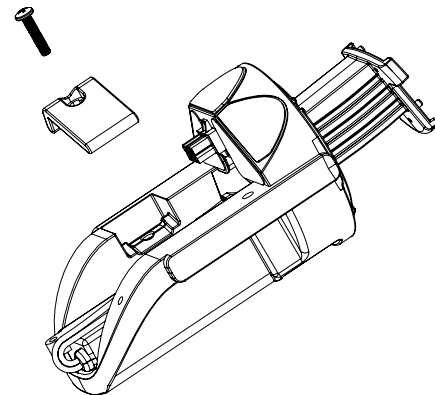


4. To remove the reflector from the LED module, carefully insert a precision-slotted screwdriver between the module and the reflector and lift outward. Repeat in a circular manner around the base of the reflector until it is disconnected.



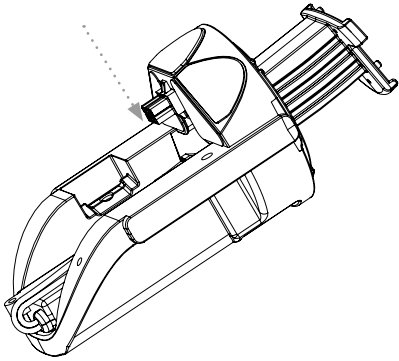
NOTE: Remove adhesive label/cover from the side of the cartridge to expose driver wiring. Disconnect wire connectors between the driver and the LED module.

5. Use a #1 Phillips screwdriver to unfasten the three LED screws. Remove the reflector adapter ring and LED module from the cartridge platform.

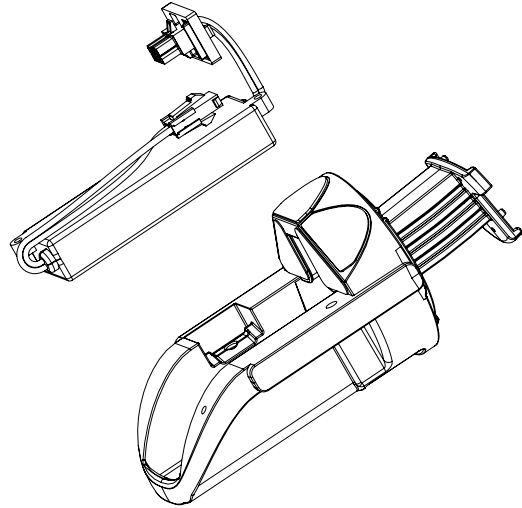


6. Use a #2 Phillips screwdriver to remove the driver clamp.

4. Repair/Replacement Instructions (continued)



7. Push the black, six-pin connector downward to unlock it from the cartridge.



8. Remove the driver from the cartridge.

5. Warranty

STATEMENT OF LIMITED WARRANTY

Hunter Industries Incorporated (“Hunter”) warrants FX Luminaire Line-Voltage Series lighting products to be free of defects in materials or workmanship under normal use for a period of five (5) years from the date of invoice. If a defect in a FX Luminaire product is discovered during the applicable warranty period, Hunter will repair or replace, at its option, the product or the defective part. This limited warranty does not extend to repairs, adjustments, or replacement of FX Luminaire products or parts resulting from misuse, negligence, alteration, modification, tampering, or improper installation and/or maintenance of the product. This warranty extends only to the original installer of the product. If a defect arises in a FX Luminaire product or part during the warranty period, contact the local authorized manufacturer’s representative. Hunter’s obligation to repair or replace its products as set forth above is the sole and exclusive warranty set forth by Hunter. There are no other warranties, expressed or implied, including warranties of merchantability and fitness for a particular purpose. Hunter will not be liable to distributor or any other party in strict liability, tort, contract, or any other manner for damages caused or claimed to be caused as a result of any design or defect in FX Luminaire products, or for any special, incidental, consequential, or exemplary damages or any nature, including without limitation lost business or profits. Notwithstanding the foregoing, if for any reason Hunter is found to be liable, in no event shall Hunter’s liability exceed the price of the product which gives rise to the claim, loss, or damage.

If you have any questions concerning the warranty or its application, please write to:
Customer Service Department
FX Luminaire
1940 Diamond Street
San Marcos, CA 92078 USA