



PROJECT

CATALOG #

TYPE

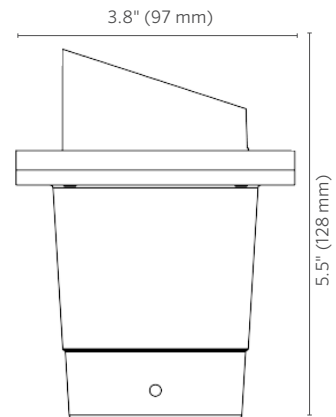
NOTES

C-IN STANDARD PLUS

The elegant C-IN in-grade fixture is a perfect addition to lighting projects for clients with modest budgets. Because of its corrosion-resistant construction, the fixture is especially at home in coastal regions.

Quick Facts

- Midgrade brass construction
- Corrosion-resistant design
- Attractive antique bronze finish
- MR-16 lamp base
- Includes fixture and specified lamp
- Input voltage: 10-15V



C-IN In-Grade Light SPECIFICATIONS

Output	LED-35W-FL	LED-50W-FL
Total Lumens	242	333
Input Voltage	10 to 15V	10 to 15V
Input Power (W)	5.0	6.0
VA	5.4	6.2
Efficacy (Lumens/Watt)	69	80
Color Rendering Index (CRI)	80+	80+
Center Beam Candlepower		
Spot (17-20)	--	--
Flood (43)	657	794
Dimming	PWM, Phase**	PWM, Phase**
RGBW Available	No	No
Luxor Compatibility		
Default	--	--
ZD Option	--	--
ZDC Option	--	--
Minimum Rated Life (L70)	40,000 Hrs	40,000 Hrs

** For optimal performance, use a trailing-edge, phase-cut dimmer.

FX Luminaire

FX Luminaire is an industry-leading manufacturer of landscape and architectural lighting products with a focus on the advancement of LED technology and digital lighting control with zoning, dimming, and color adjustment capabilities. We offer a full spectrum of specification-driven lighting fixtures that can be utilized to create elegant, cutting-edge landscape lighting systems for commercial or residential applications. Our products are available exclusively via our extensive professional distributor network.

Materials

Die-cast midgrade brass housing/knuckle assembly with brass hardware.

Wiring

18 AWG (1 mm); SVT; 220°F (105°C); 300V; 10' (3 m) length

Weight

5 lbs. (2.3 kg)

Ambient Operating Temperature

-30°F to 140°F (-34°F to 60°F)

Socket

GU5.3 socket with retaining clips for MR-16 lamps. Ceramic socket base with heat-resistant contact pad. Stainless steel retaining clips ensure high spring force retention.

Lamp

GU5.3 lamp base. Preinstalled MR-16 LED lamp option offers a warm 2,700K color temperature with a minimum rated life (L70) of 40,000 hours.

Power

Input 10-15 VAC/VDC, 50/60 Hz. Remote transformer required (specify separately).

Housing

Midgrade brass

Installation Requirements

Designed for installation in the upward direction only

Warranty

10-year limited warranty on luminaire; 5-year limited warranty on preinstalled FX Luminaire LED lamp; no warranty on incandescent or halogen lamp.

Manufacturing

9001:2015 certified facility

Lens

Tempered glass lens with shock resistance and high tolerance for thermal expansion and stress

Finish

Antiqued finish with brushed effect

Control

Remote transformer


Sustainability

Innovation meets conservation in the design and manufacturing of our products. Where we can, we use recycled materials while maintaining superior functionality. Our LED products provide high-quality light at optimal energy efficiency, lifespan, and durability.

Listings



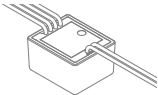
C-IN In-Grade Light ORDERING INFORMATION

Fixture	Lamp	Finish
C-IN-LED	■ 35WFL 35W Equivalent LED Lamp, 2,700K	■ AB Antique Bronze 
	■ 50WFL 50W Equivalent LED Lamp, 2,700K	

EXAMPLE FIXTURE CONFIGURATION: C-IN-LED-50WFL-AB



LUXOR® TECHNOLOGY OPTIONS: Specify Separately

Cubes	Code
■ LOW-VOLTAGE CUBE Supports AC dimmable LEDs and incandescent; MAX LOAD: 60W/5A	LCM-LV 

C-IN In-Grade Light PHOTOMETRICS

C-IN35WFL Illuminance at a Distance

Feet (Meters)	Center Beam	Beam Width	
	Foot-Candle (Lux)	Vertical 32.3°	Horizontal 32.1°
4' (1.2 m)	40.6 fc (437 lx)	2.3' (0.7 m)	2.3' (0.7 m)
8' (2.4 m)	10.1 fc (109 lx)	4.6' (1.4 m)	4.6' (1.4 m)
12' (3.7 m)	4.5 fc (48 lx)	7.0' (2.1 m)	6.9' (2.1 m)
16' (4.9 m)	2.5 fc (27 lx)	9.3' (2.8 m)	9.2' (2.8 m)
20' (6.1 m)	1.6 fc (17 lx)	11.6' (3.5 m)	11.5' (3.5 m)
24' (7.3 m)	1.3 fc (14 lx)	13.9' (4.2 m)	13.8' (4.2 m)

C-IN50WFL Illuminance at a Distance

Feet (Meters)	Center Beam	Beam Width	
	Foot-Candle (Lux)	Vertical 33.3°	Horizontal 33.9°
4' (1.2 m)	49.6 fc (534 lx)	2.4' (0.7 m)	2.4' (0.7 m)
8' (2.4 m)	12.4 fc (134 lx)	4.8' (1.5 m)	4.9' (1.5 m)
12' (3.7 m)	5.5 fc (59 lx)	7.2' (2.2 m)	7.3' (2.2 m)
16' (4.9 m)	3.1 fc (33 lx)	9.6' (2.9 m)	9.8' (3.0 m)
20' (6.1 m)	2.0 fc (22 lx)	12.0' (3.7 m)	12.2' (3.7 m)
24' (7.3 m)	1.4 fc (15 lx)	14.4' (4.4 m)	14.6' (4.5 m)

© 2019 Hunter Industries Inc. Hunter, FX Luminaire, all related logos, and all other trademarks are property of Hunter Industries, registered in the U.S. and other countries.