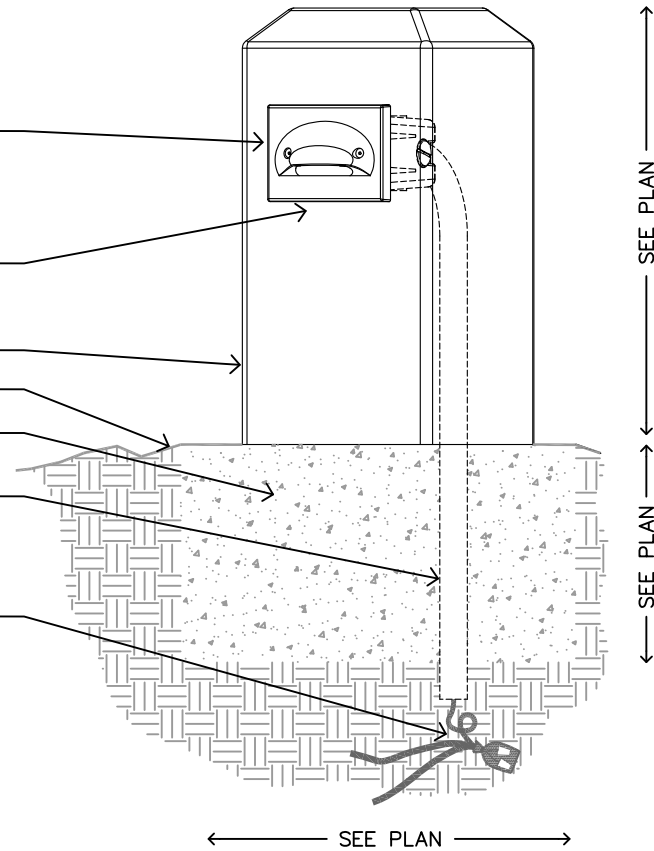


THE FX LUMINAIRE UCCELLO NOTTURNO WITH THE BOLLARD MOUNT IS PERFECT FOR COMMERCIAL TURF OR RESORT APPLICATIONS WHERE A GLARE FREE, LOW MAINTENANCE PATHLITE IS DESIRED. THE BOLLARD STYLE DESIGN INTO THE SURROUNDING ARCHITECTURE.

- COIL 12" SERVICE LOOP INSIDE SLEEVE
- THE FX LUMINAIRE UCCELLO NOTTURNO INCORPORATES A LEVEL ADJUSTING FACEPLATE, 10 WATT MAXIMUM LAMP.
- SITE BUILT BOLLARD
- FINISH GRADE
- CONCRETE FOOTING
- BLUE OR GRAY PLASTIC ENT CONDUIT
- 12 GA MAIN LINE CABLE US FX LITESPLICE TO TIE INTO MAINLINE

THIS FIXTURE IS DESIGNED FOR DOWN LIGHTING ONLY. DO NOT USE IN UP LIGHT POSITION.



SECTION/ELEVATION

XX UCCELLO NOTTURNO(UN)  
BOLLARD MOUNT

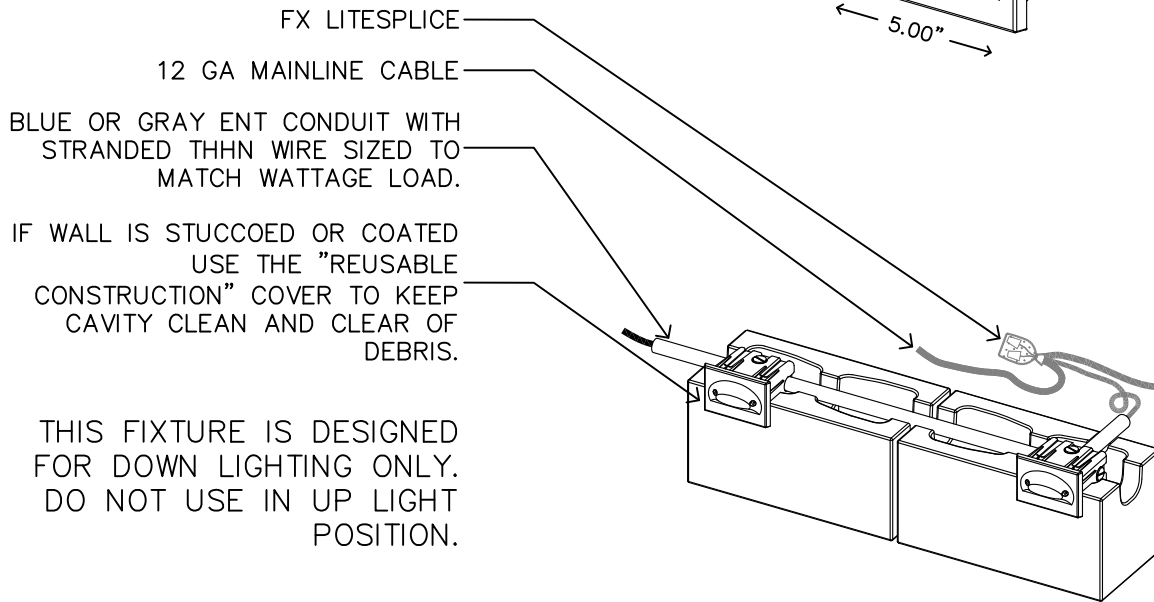
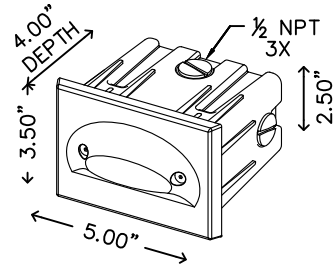
---

NOT TO SCALE FX LUMINAIRE DETAIL

THE FX LUMINAIRE UCCELLO  
 NOTTURNO IN ANY HORIZONTAL  
 MOUNTING APPLICATION WITH  
 SUPPLIED HARDWARE.

THE FX LUMINAIRE UCCELLO  
 NOTTURNO INCORPORATES A  
 LEVEL ADJUSTING FACEPLATE, 10  
 WATT MAXIMUM LAMP.

WATERPROOF SLEEVE END TO  
 PREVENT WATER FROM SEEPING  
 THROUGH THE WALL INTO THE  
 LAMP HOUSING. LEAVE 12"  
 SERVICE LOOP COILED INSIDE THE  
 SLEEVE.



SECTION/ELEVATION

XX UCCELLO NOTTURNO(UN)  
 CONCRETE WALL MOUNT  
 NOT TO SCALE FX LUMINAIRE DETAIL

THE FX LUMINAIRE UCCELLO  
NATTURNO USING SUPPLIED  
HARDWARE. MOUNT 8"–12" OFF  
FINISHED GRADE.

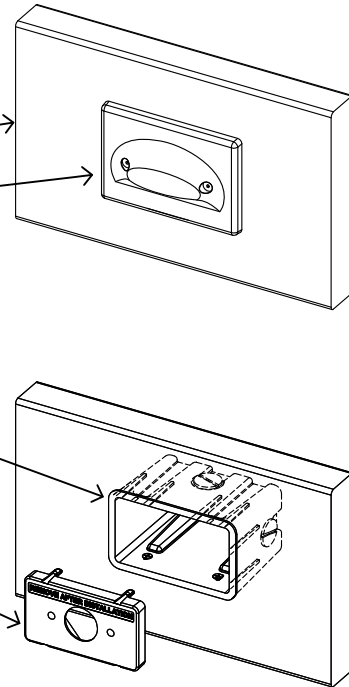
THE FX LUMINAIRE UCCELLO  
NOTTURNO INCORPORATES A  
LEVEL ADJUSTING FACEPLATE, 10  
WATT MAXIMUM LAMP.

WOODEN WALL  
COIL 12" SERVICE LOOP INSIDE  
SLEEVE.

CUT A 4.625" X 2.75" REC HOLE  
THRU THE WOOD WALL TO MOUNT  
FX LUMINAIRE CANDELA PASSO.  
MOUNT SLEEVE IN PLACE USING  
1" #6 GALVANIZED DECK SCREWS.

IF WALL IS STUCCOED OR COATED  
USE THE "REUSABLE  
CONSTRUCTION" COVER TO KEEP  
CAVITY CLEAN AND CLEAR OF  
DEBRIS.

THIS FIXTURE IS DESIGNED  
FOR DOWN LIGHTING ONLY.  
DO NOT USE IN UP LIGHT  
POSITION.



SECTION/ELEVATION

XX UCCELLO NATTURNO(UN)  
WOOD WALL MOUNT

---

NOT TO SCALE FX LUMINAIRE DETAIL