

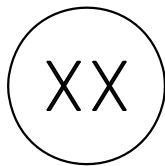
HIDE WIRES BY RUNNING THEM
OUT OF SIGHT BEHIND EAVE
OR IN JOINT GROOVE.

OPTIONAL FX LUMINAIRE VERSA-BOX
MOUNT. ATTACH WITH PROVIDED
SCREWS. MAKE CONNECTIONS INSIDE
VERSA-BOX WITH SUPPLIED WIRE
NUTS.

FX LUMINAIRE TRELIS SOLARE,
AVAILABLE WITH 20, 35, OR 50 WATT
LAMPS. SEE PLAN FOR LAMP
WATTAGE, BEAM SPREAD.

THIS FIXTURE IS DESIGNED
FOR DOWN LIGHTING ONLY

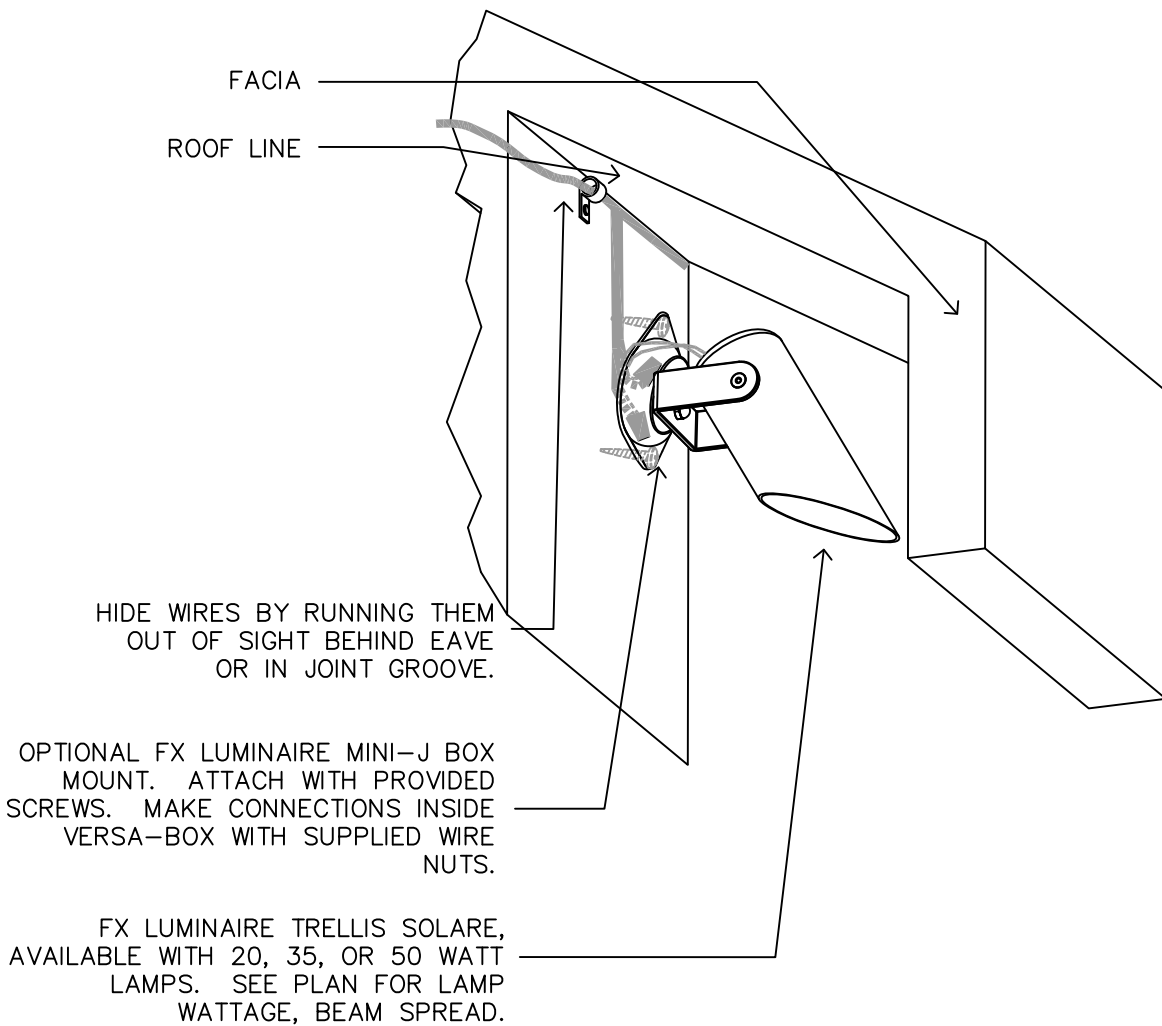
SECTION/ELEVATION



TRELIS SOLARE(TS)
VERSA BOX EAVE MOUNT

NOT TO SCALE

FX LUMINAIRE DETAIL



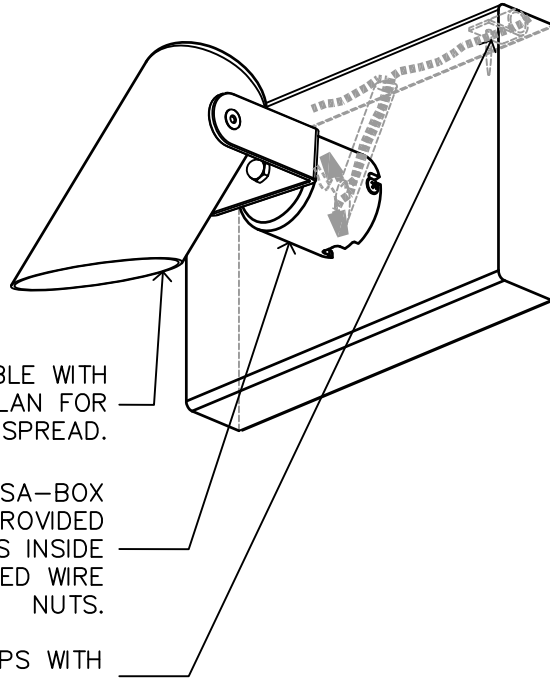
THIS FIXTURE IS DESIGNED FOR DOWN LIGHTING ONLY

SECTION/ELEVATION

XX TRELIS SOLARE(TS)
 MINI-J BOX EAVE MOUNT

NOT TO SCALE

FX LUMINAIRE DETAIL



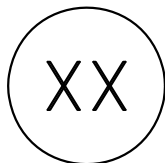
FX LUMINAIRE TRELIS SOLARE, AVAILABLE WITH 20, 35, OR 50 WATT LAMPS. SEE PLAN FOR LAMP WATTAGE, BEAM SPREAD.

OPTIONAL FX LUMINAIRE VERSA-BOX MOUNT. ATTACH WITH PROVIDED SCREWS. MAKE CONNECTIONS INSIDE VERSA-BOX WITH SUPPLIED WIRE NUTS.

USE NYLON C-CLAMPS WITH STAINLESS SCREWS.

THIS FIXTURE IS DESIGNED FOR DOWN LIGHTING ONLY

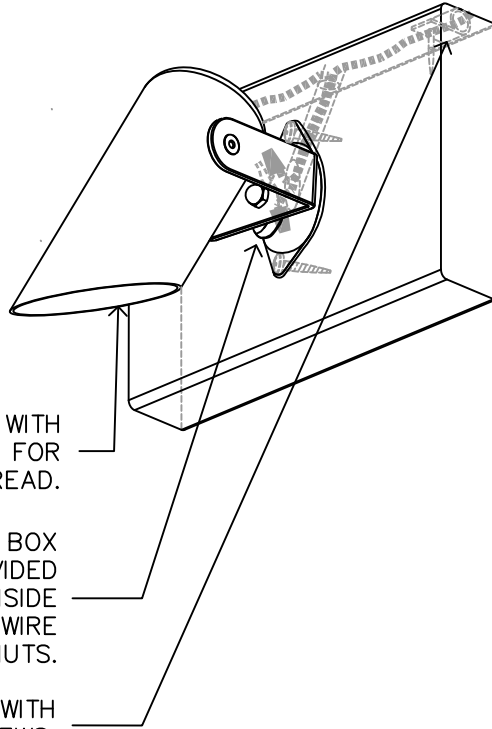
SECTION/ELEVATION



TRELIS SOLARE(TS) VERSA BOX BEAM MOUNT

NOT TO SCALE

FX LUMINAIRE DETAIL



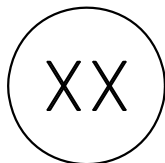
FX LUMINAIRE TRELIS SOLARE, AVAILABLE WITH
20, 35, OR 50 WATT LAMPS. SEE PLAN FOR
LAMP WATTAGE, BEAM SPREAD.

OPTIONAL FX LUMINAIRE MINI-J BOX
MOUNT. ATTACH WITH PROVIDED
SCREWS. MAKE CONNECTIONS INSIDE
MINI-J BOX WITH SUPPLIED WIRE
NUTS.

USE NYLON C-CLAMPS WITH
STAINLESS SCREWS.

THIS FIXTURE IS DESIGNED
FOR DOWN LIGHTING ONLY

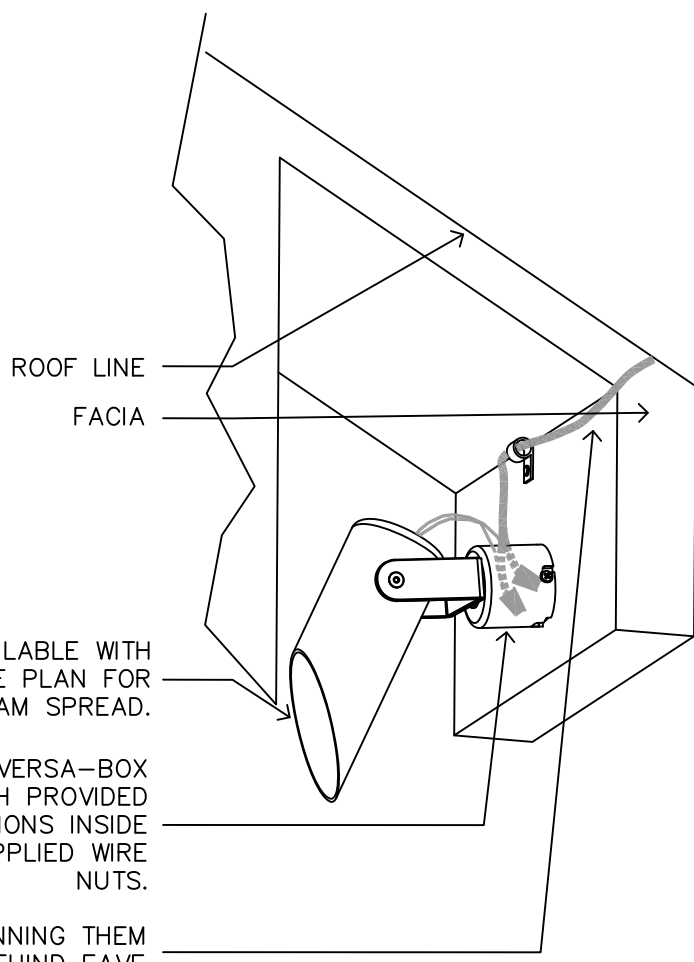
SECTION/ELEVATION



TRELIS SOLARE(TS)
MINI-J BOX BEAM MOUNT

NOT TO SCALE

FX LUMINAIRE DETAIL



FX LUMINAIRE TRELIS SOLARE, AVAILABLE WITH 20, 35, OR 50 WATT LAMPS. SEE PLAN FOR LAMP WATTAGE, BEAM SPREAD.

OPTIONAL FX LUMINAIRE VERSA-BOX MOUNT. ATTACH WITH PROVIDED SCREWS. MAKE CONNECTIONS INSIDE VERSA-BOX WITH SUPPLIED WIRE NUTS.

HIDE WIRE BY RUNNING THEM OUT OF SIGHT BEHIND EAVE OR IN JOINT GROOVE.

THIS FIXTURE IS DESIGNED FOR DOWN LIGHTING ONLY

SECTION/ELEVATION

XX

TRELIS SOLARE(TS)
 VERSA BOX FACIA MOUNT

NOT TO SCALE

FX LUMINAIRE DETAIL