

FXLuminaire

FX LUMINAIRE

1940 Diamond Street

San Marcos, CA 92078

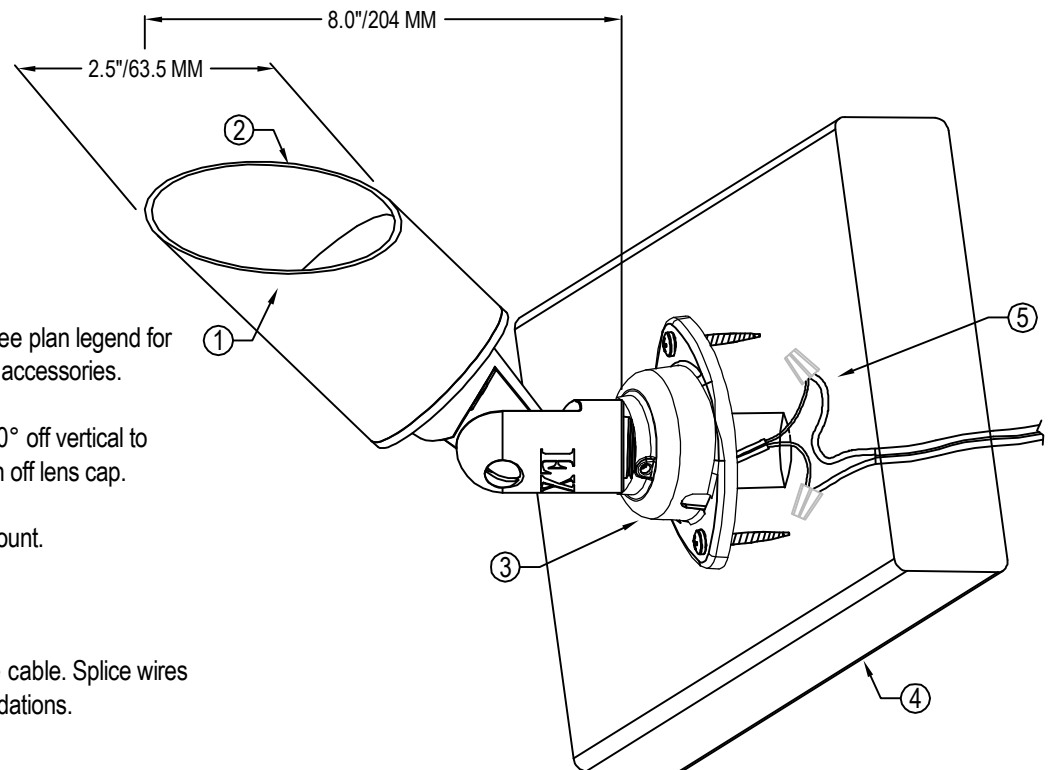
Main: 760-744-5240

Technical Support: 760-591-7383

www.fxl.com

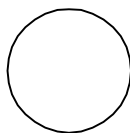
DETAIL LEGEND:

- ① FX Luminaire NR fixture. See plan legend for wattage, beam spread and accessories.
- ② Aim fixture a minimum of 10° off vertical to allow water and dirt to drain off lens cap.
- ③ FX Luminaire Mini J-Box mount.
- ④ Wood joist or header.
- ⑤ UF/UL, copper, low voltage cable. Splice wires according to FX recommendations.



NOTES:

- A. Installation to be completed in accordance with manufacturer's specifications.
- B. Accepts 10-15 volts - AC or DC.
- C. See plan legend for LED board and accessories.
- D. Always refer to FX product installation notes prior to installation.



UP LIGHTS

NR WITH MINI J-BOX

NOT TO SCALE

FXLuminaire®

FX LUMINAIRE

1940 Diamond Street

San Marcos, CA 92078

Main: 760-744-5240

Technical Support: 760-591-7383

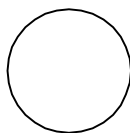
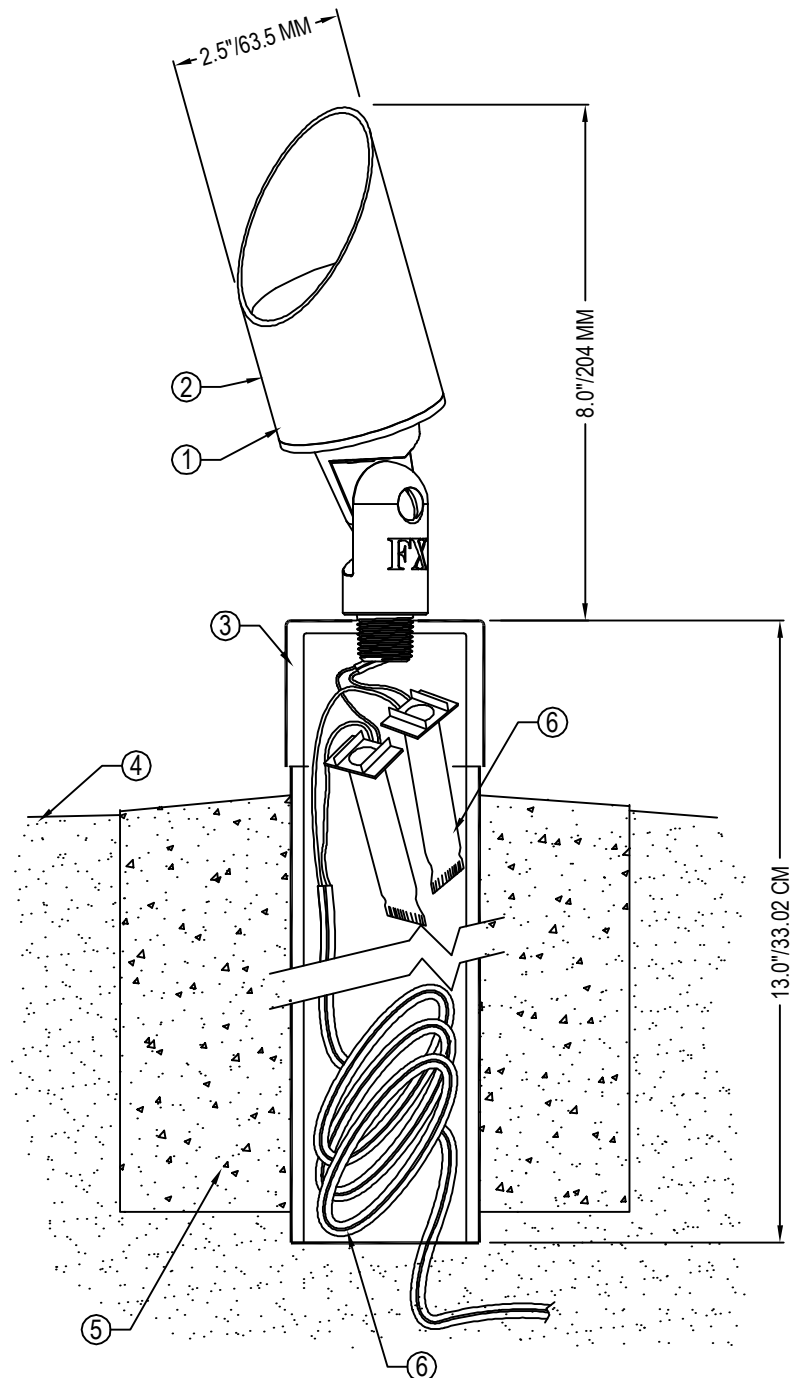
www.fxl.com

DETAIL LEGEND:

- ① FX Luminaire NR fixture. See plan legend for wattage, beam spread and accessories.
- ② Aim fixture a minimum of 10° off vertical to allow water and dirt to drain off lens cap.
- ③ FX Luminaire Post mount.
- ④ Finished grade.
- ⑤ Concrete Footing. Depth per local code.
- ⑥ Direct bury, UF/UL, copper, low voltage cable with 3M DBR/Y-6 direct bury splice kit. Leave 18" minimum wire loop coiled below fixture for service.

NOTES:

- A. Installation to be completed in accordance with manufacturer's specifications.
- B. Accepts 10-15 volts - AC or DC.
- C. See plan legend for LED board accessories.
- D. Always refer to FX product installation notes prior to installation.



UP LIGHTS

NR WITH POST MOUNT

NOT TO SCALE

FXLuminaire.

FX LUMINAIRE

1940 Diamond Street

San Marcos, CA 92078

Main: 760-744-5240

Technical Support: 760-591-7383

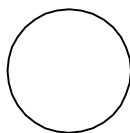
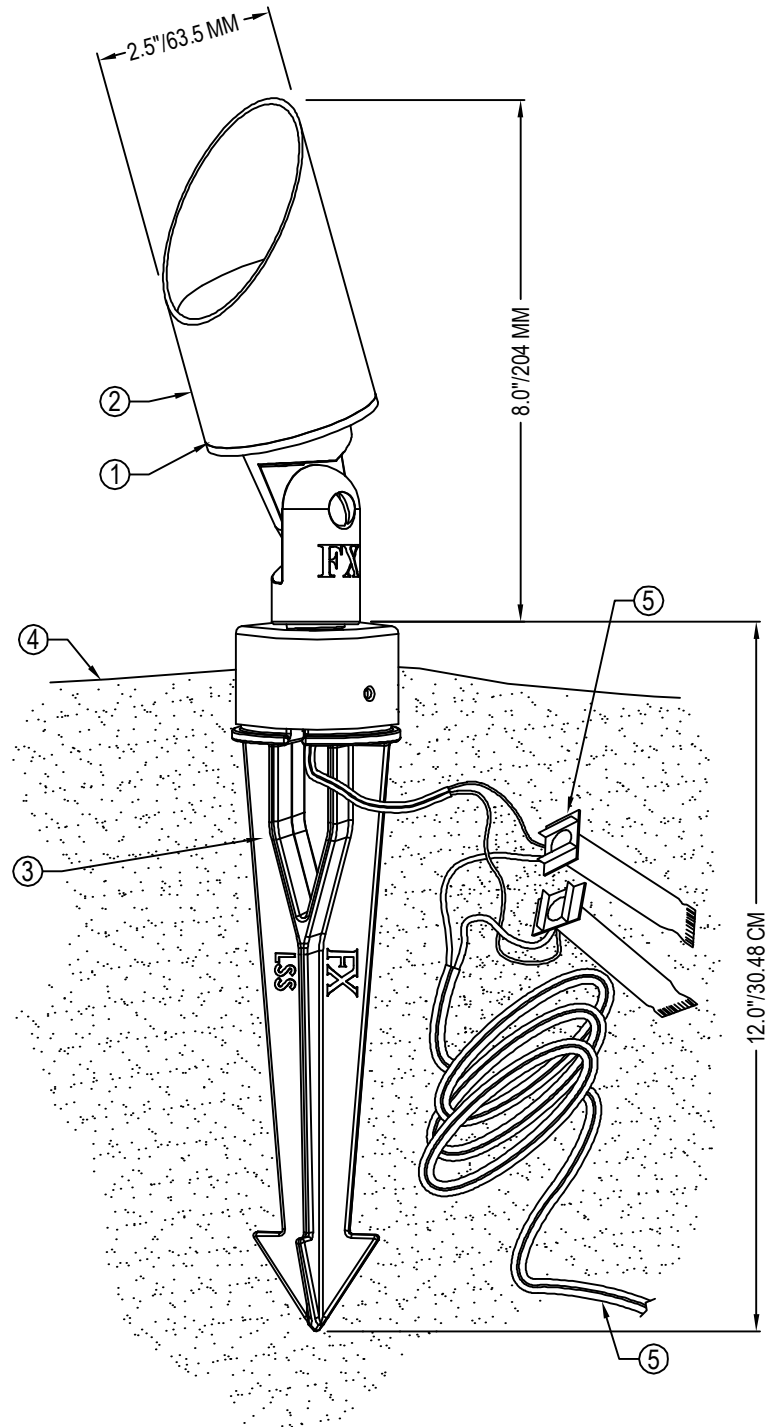
www.fxI.com

DETAIL LEGEND:

- ① FX Luminaire NR fixture. See plan legend for wattage, beam spread and accessories.
- ② Aim fixture a minimum of 10° off vertical to allow water and dirt to drain off lens cap.
- ③ FX Luminaire Super J-Box mount.
- ④ Finished grade.
- ⑤ Direct bury, UF/UL, copper, low voltage cable with 3M DBR/Y-6 direct bury splice kit. Leave 18" minimum wire loop coiled below fixture for service.

NOTES:

- A. Installation to be completed in accordance with manufacturer's specifications.
- B. Accepts 10-15 volts - AC or DC.
- C. See plan legend for LED board and accessories.
- D. Always refer to FX product installation notes prior to installation.



UP LIGHTS
NR WITH SUPER J-BOX

NOT TO SCALE

FXLuminaire®

FX LUMINAIRE

1940 Diamond Street

San Marcos, CA 92078

Main: 760-744-5240

Technical Support: 760-591-7383

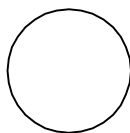
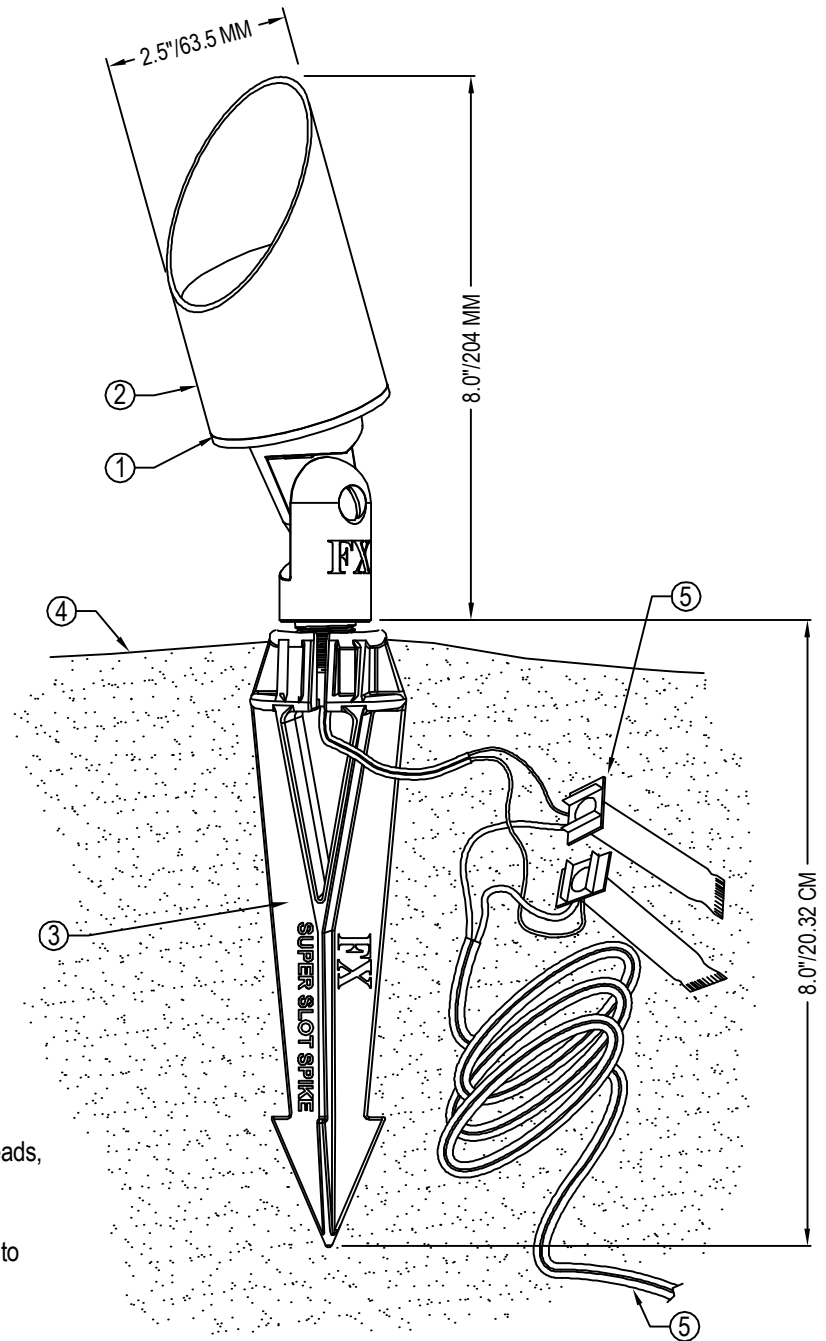
www.fxl.com

DETAIL LEGEND:

- ① FX Luminaire NR fixture. See plan legend for wattage, beam spread and accessories.
- ② Aim fixture a minimum of 10° off vertical to allow water and dirt to drain off lens cap.
- ③ FX Luminaire Super Slot Spike mount.
- ④ Finished grade.
- ⑤ Direct bury, UF/UL, copper, low voltage cable with 3M DBR/Y-6 direct bury splice kit. Leave 18" minimum wire loop coiled below fixture for service.

NOTES:

- A. Installation to be completed in accordance with manufacturer's specifications.
- B. Accepts 10-15 volts - AC or DC.
- C. See plan legend for LED board option, beam spreads, and accessories.
- D. Always refer to FX product installation notes prior to installation.



UP LIGHTS

NR SUPER SLOT SPIKE

NOT TO SCALE

FXLuminaire

FX LUMINAIRE

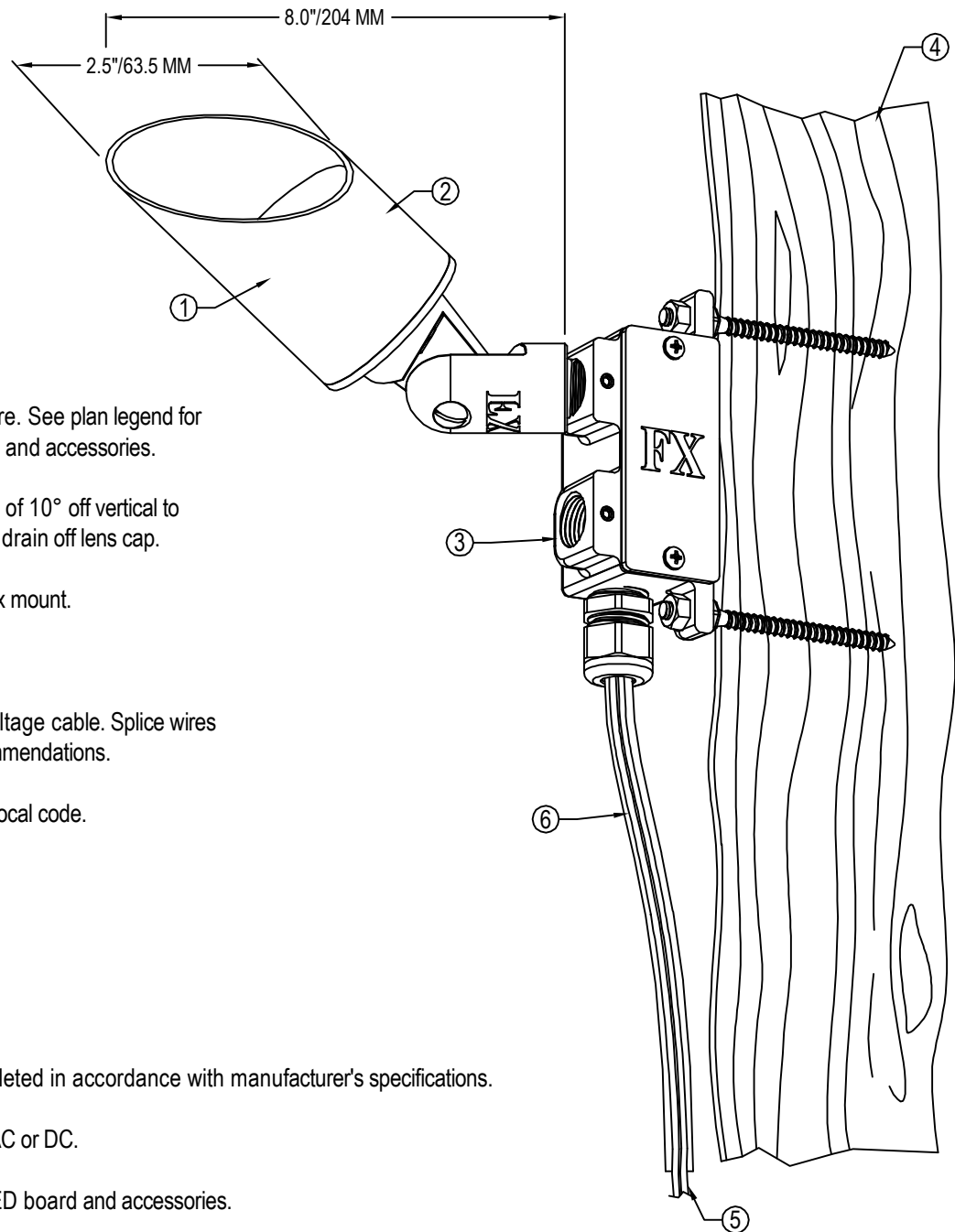
1940 Diamond Street

San Marcos, CA 92078

Main: 760-744-5240

Technical Support: 760-591-7383

www.fxl.com

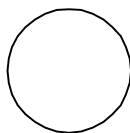


DETAIL LEGEND:

- ① FX Luminaire NR fixture. See plan legend for wattage, beam spread and accessories.
- ② Aim fixture a minimum of 10° off vertical to allow water and dirt to drain off lens cap.
- ③ FX Luminaire Tree Box mount.
- ④ Tree Trunk or Limb.
- ⑤ UF/UL, copper, low voltage cable. Splice wires according to FX recommendations.
- ⑥ Electrical conduit per local code.

NOTES:

- A. Installation to be completed in accordance with manufacturer's specifications.
- B. Accepts 10-15 volts - AC or DC.
- C. See plan legend for LED board and accessories.
- D. Always refer to FX product installation notes prior to installation.

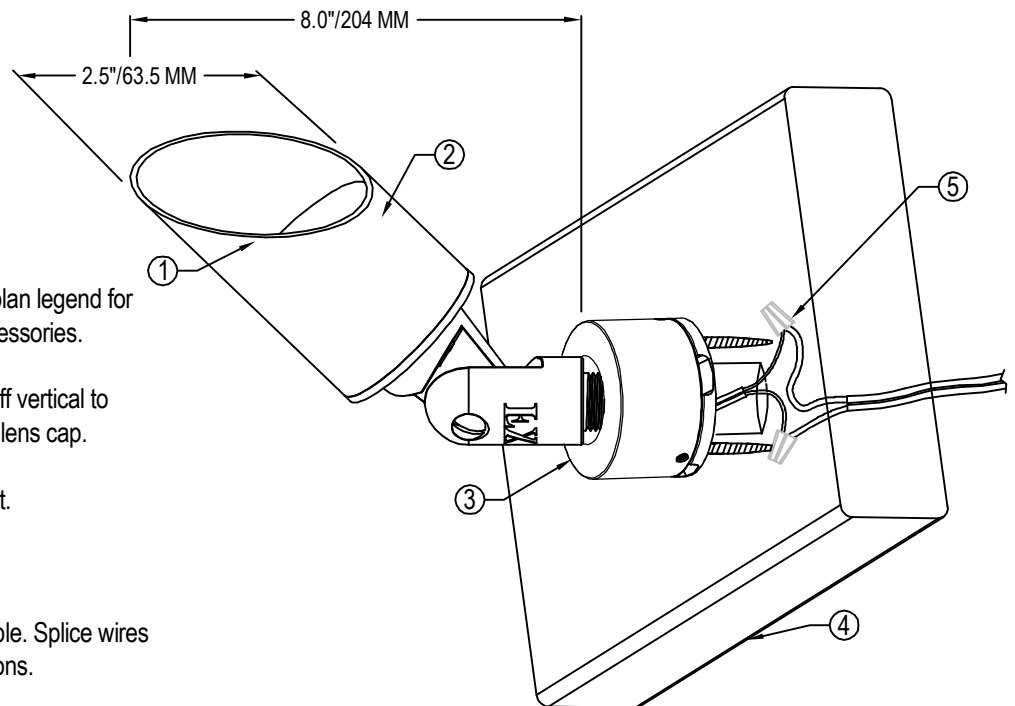


UP LIGHTS
NR TREE BOX

NOT TO SCALE

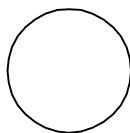
DETAIL LEGEND:

- ① FX Luminaire NR fixture. See plan legend for wattage, beam spread and accessories.
- ② Aim fixture a minimum of 10° off vertical to allow water and dirt to drain off lens cap.
- ③ FX Luminaire Versabox® mount.
- ④ Wood joist header.
- ⑤ UF/UL, copper, low voltage cable. Splice wires according to FX recommendations.



NOTES:

- A. Installation to be completed in accordance with manufacturer's specifications.
- B. Accepts 10-15 volts - AC or DC.
- C. See plan legend for LED board and accessories.
- D. Always refer to FX product installation notes prior to installation.

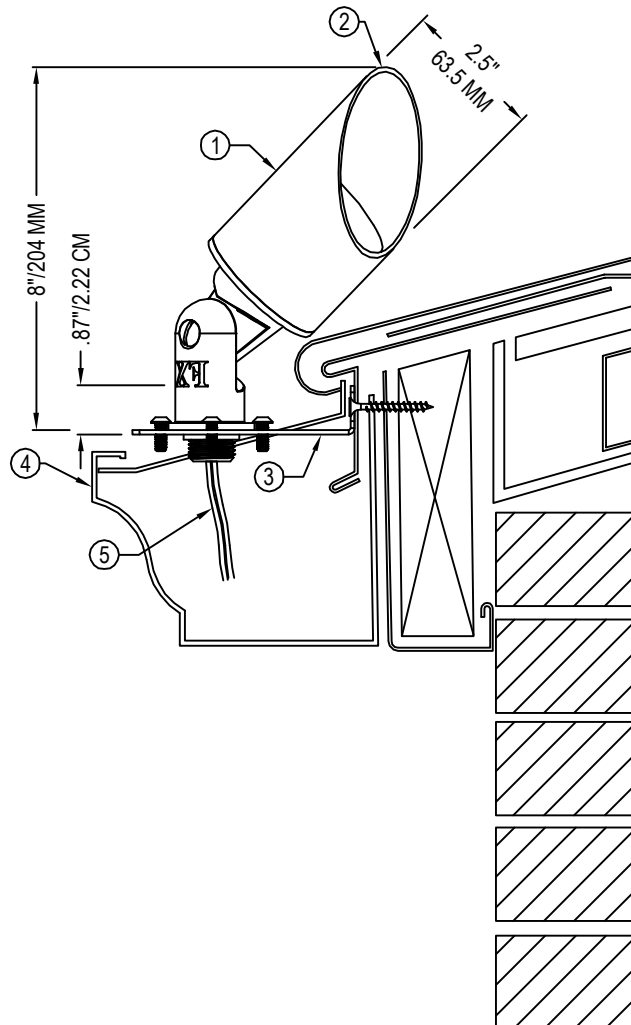


UP LIGHTS
NR VERSABOX

NOT TO SCALE

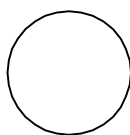
DETAIL LEGEND:

- ① FX Luminaire NR fixture. See plan legend for wattage, beam spread and accessories.
- ② Aim fixture a minimum of 10° off vertical to allow water and dirt to drain off lens cap.
- ③ FX Luminaire Gutter Mount.
- ④ Gutter.
- ⑤ UF/UL, low voltage cable. Splice wires according to FX recommendations.



NOTES:

- A. Installation to be completed in accordance with manufacturer's specifications.
- B. Accepts 10-15 volts - AC or DC.
- C. See plan legend for LED board option, beam spreads, and accessories.
- D. Always refer to FX product installation notes prior to installation.



UP LIGHTS

NR WITH GUTTER MOUNT

NOT TO SCALE

FXLuminaire

FX LUMINAIRE

1940 Diamond Street

San Marcos, CA 92078

Main: 760-744-5240

Technical Support: 760-591-7383

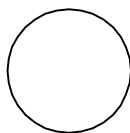
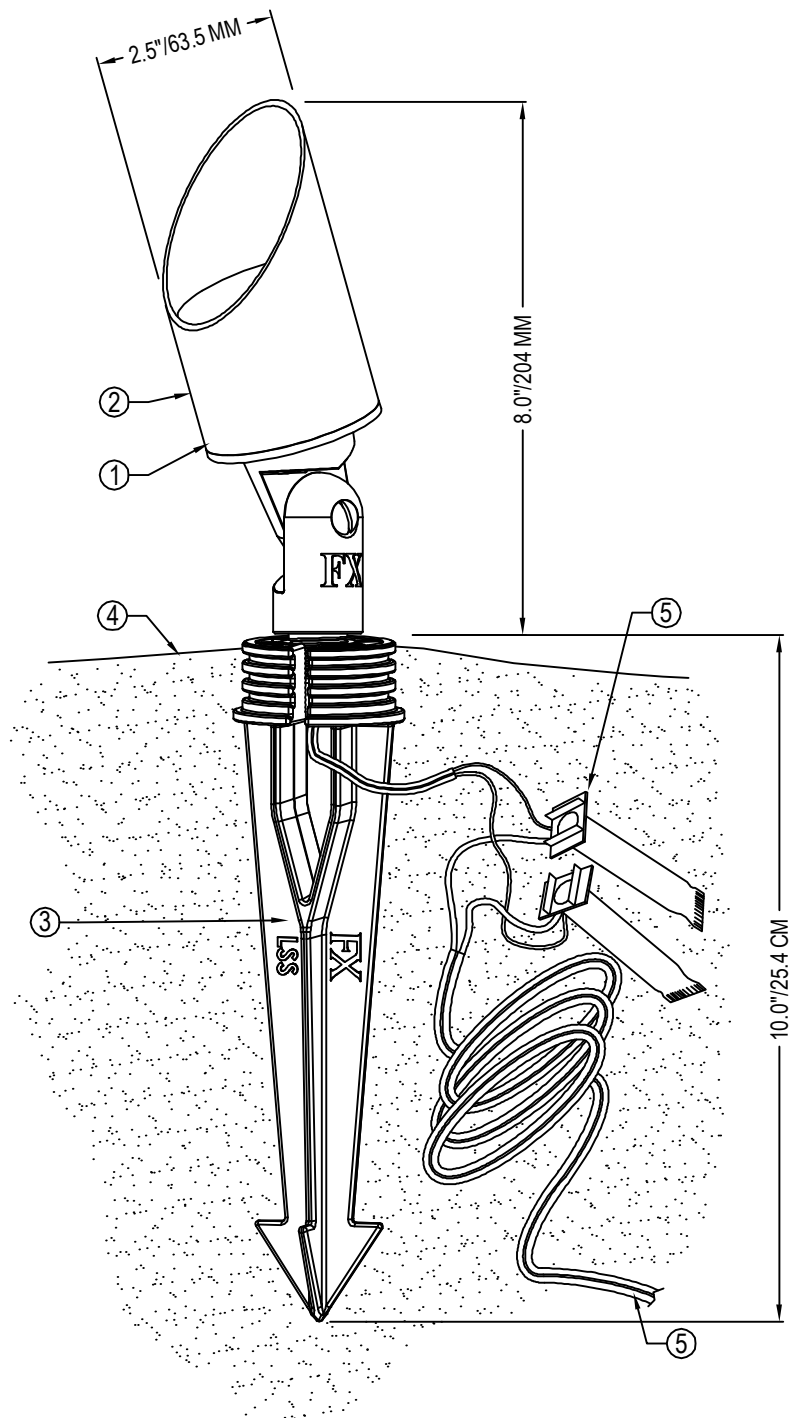
www.fxl.com

DETAIL LEGEND:

- ① FX Luminaire NR fixture. See plan legend for wattage, beam spread and accessories.
- ② Aim fixture a minimum of 10° off vertical to allow water and dirt to drain off lens cap.
- ③ FX Luminaire Long Slot Spike mount.
- ④ Finished grade.
- ⑤ Direct bury, UF/UL, copper, low voltage cable with 3M DBR/Y-6 direct bury splice kit. Leave 18" minimum wire loop coiled below fixture for service.

NOTES:

- A. Installation to be completed in accordance with manufacturer's specifications.
- B. Accepts 10-15 volts - AC or DC.
- C. See plan legend for LED board accessories.
- D. Always refer to FX product installation notes prior to installation.



UP LIGHTS
NR WITH LONG SLOT SPIKE

NOT TO SCALE