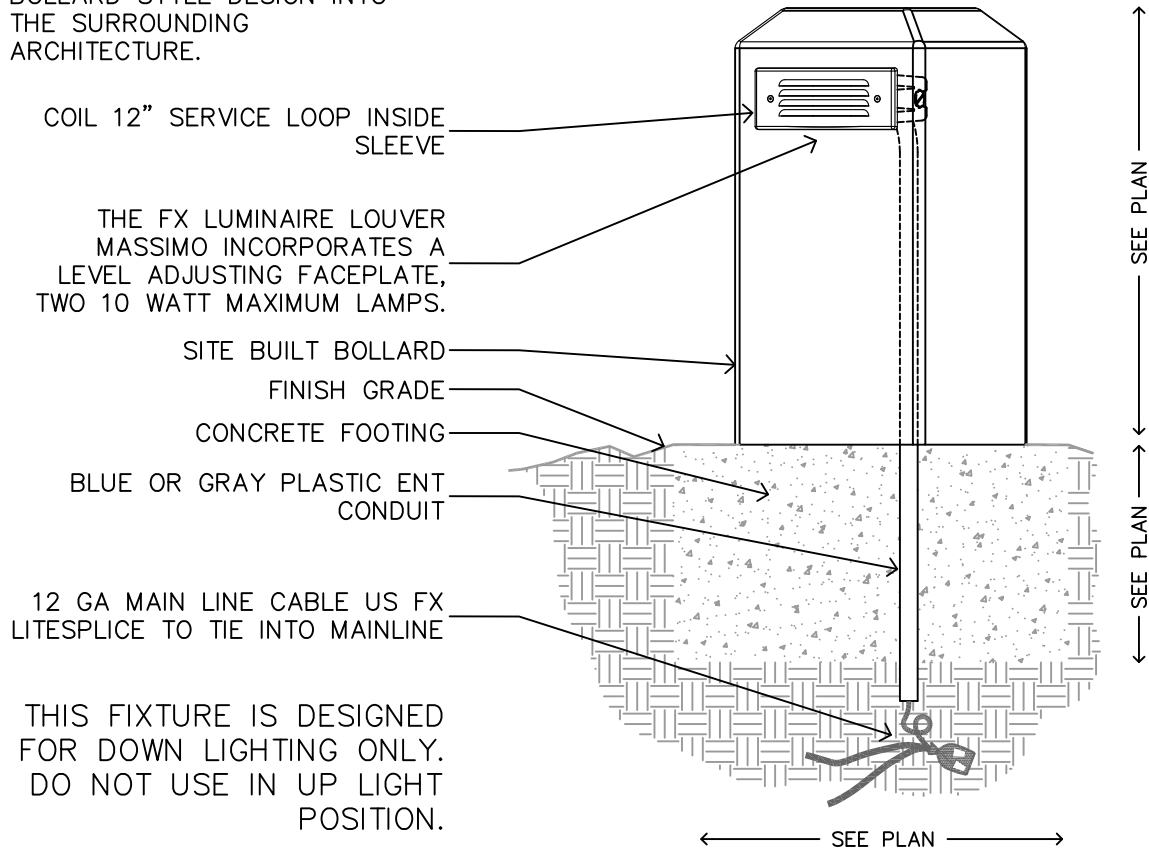


THE FX LUMINAIRE LOUVER MASSIMO WITH THE BOLLARD MOUNT IS PERFECT FOR COMMERCIAL TURF OR RESORT APPLICATIONS WHERE A GLARE FREE, LOW MAINTENANCE PATHLITE IS DESIRED. THE BOLLARD STYLE DESIGN INTO THE SURROUNDING ARCHITECTURE.



SECTION/ELEVATION

XX LOUVER MASSIMO(LM)  
BOLLARD MOUNT

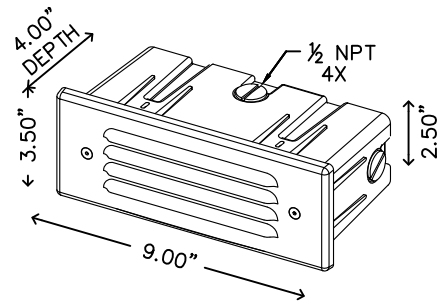
---

NOT TO SCALE FX LUMINAIRE DETAIL

THE FX LOUVER MASSIMO IN ANY HORIZONTAL MOUNTING APPLICATION WITH SUPPLIED HARDWARE.

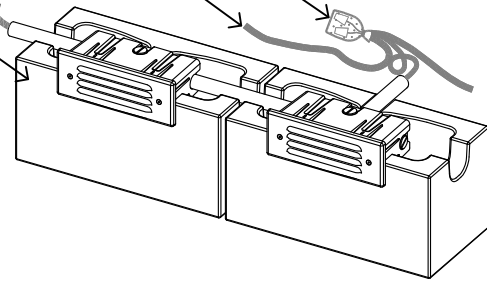
THE FX LUMINAIRE LOUVER MASSIMO INCORPORATES A LEVEL ADJUSTING FACEPLATE, TWO 10 WATT MAXIMUM LAMPS.

WATERPROOF SLEEVE END TO PREVENT WATER FROM SEEPING THROUGH THE WALL INTO THE LAMP HOUSING. LEAVE 12" SERVICE LOOP COILED INSIDE THE SLEEVE.



- FX LITESPLICE
- 12 GA MAINLINE CABLE
- BLUE OR GRAY ENT CONDUIT WITH STRANDED THHN WIRE SIZED TO MATCH WATTAGE LOAD.
- IF WALL IS STUCCOED OR COATED USE THE "REUSABLE CONSTRUCTION" COVER TO KEEP CAVITY CLEAN AND CLEAR OF DEBRIS.

THIS FIXTURE IS DESIGNED FOR DOWN LIGHTING ONLY. DO NOT USE IN UP LIGHT POSITION.



SECTION/ELEVATION

XX LOUVER MASSIMO(LM)  
 CONCRETE WALL MOUNT  
 NOT TO SCALE FX LUMINAIRE DETAIL

THE FX LUMINAIRE LOUVER  
 MASSIMO USING SUPPLIED  
 HARDWARE. MOUNT 8"–12" OFF  
 FINISHED GRADE.

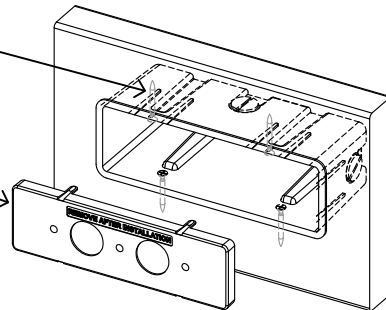
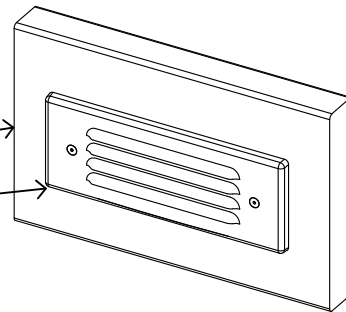
THE FX LUMINAIRE LOURVE  
 MASSIMO INCORPORATES A LEVEL  
 ADJUSTING FACEPLATE, TWO 10  
 WATT MAXIMUM LAMPS.

WOODEN WALL  
 COIL 12" SERVICE LOOP INSIDE  
 SLEEVE.

CUT A 4.625" X 2.75" REC HOLE  
 THRU THE WOOD WALL TO MOUNT  
 FX LUMINAIRE CANDELA PASSO.  
 MOUNT SLEEVE IN PLACE USING  
 1" #6 GALVANIZED DECK SCREWS.

IF WALL IS STUCCOED OR COATED  
 USE THE "REUSABLE  
 CONSTRUCTION" COVER TO KEEP  
 CAVITY CLEAN AND CLEAR OF  
 DEBRIS.

THIS FIXTURE IS DESIGNED  
 FOR DOWN LIGHTING ONLY.  
 DO NOT USE IN UP LIGHT  
 POSITION.



SECTION/ELEVATION

XX LOURVE MASSIMO(LM)  
 WOOD WALL MOUNT  
 NOT TO SCALE FX LUMINAIRE DETAIL