

THE FX LUMINAIRE CUSTODE GRADINO FIXTURES ARE PERFECT FOR COMMERCIAL TURF OR RESORT APPLICATIONS WHERE A GLARE FREE, LOW MAINTENANCE VANDAL PROOF PATHLITE ARE DESIRED. TIE BOLLARD STYLE DESIGN INTO THE SURROUNDING ARCHITECTURE.

THE FX LUMINAIRE CUSTODE GRADINO INCORPORATES AN ADJUSTABLE LAMP BRACKET FOR VARIABLE BEAM ANGLE, 20 WATT MAXIMUM LAMP.

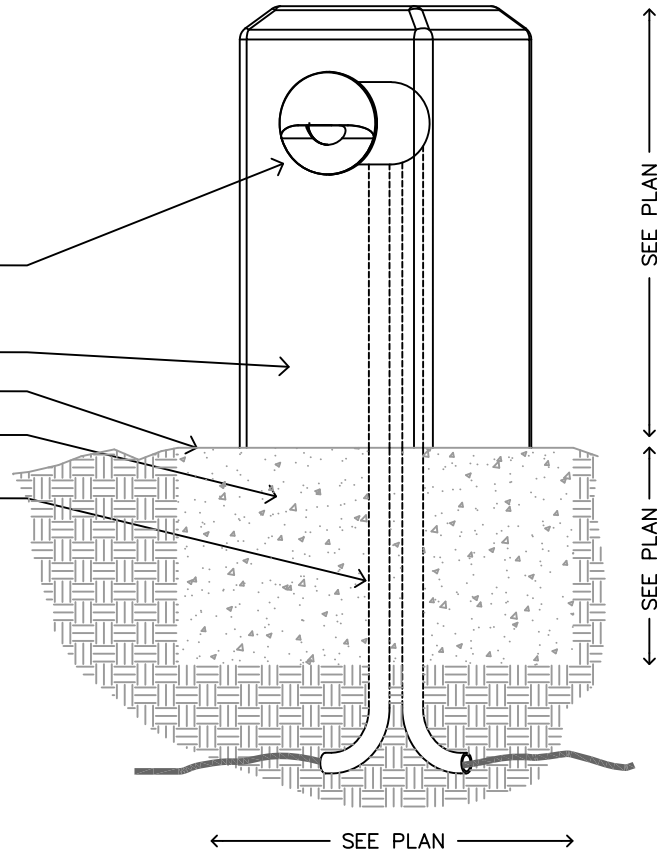
SITE BUILT BOLLARD

FINISH GRADE

CONCRETE FOOTING

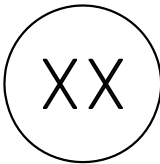
BLUE OR GRAY PLASTIC ENT CONDUIT

THIS FIXTURE IS DESIGNED FOR DOWN LIGHTING ONLY. DO NOT USE IN UP LIGHT POSITION.



SECTION/ELEVATION

# CUSTODE GRADINO(CG) BOLLARD MOUNT

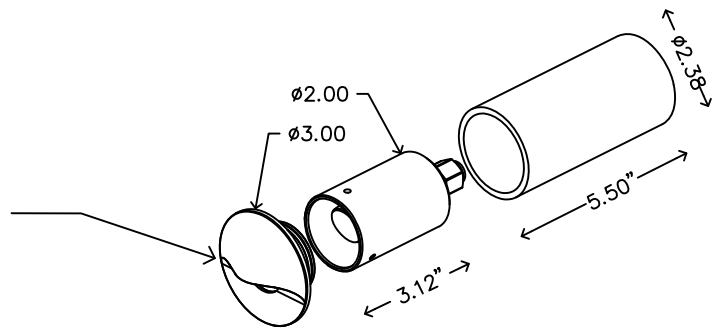


NOT TO SCALE

FX LUMINAIRE DETAIL

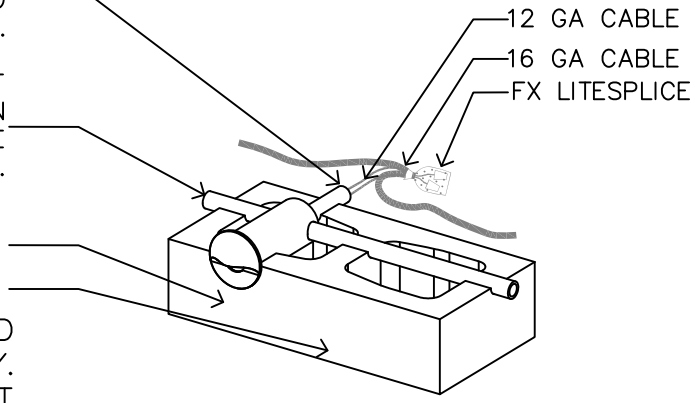
INSTALL FX LUMINAIRE CUSTODE GRADINO AS SHOWN USING 16 GAUGE CABLE AND PROVIDED WIRE NUTS. PLASTIC 2" DIA. EMT TUBING CAN BE DRILLED FOR 1/2" CONDUIT USING A 7/8" HOLE SAW.

FX LUMINAIRE CUSTODE GRADINO FIXTURE INCORPORATES A REMOVABLE CAP FOR LAMP REPLACEMENT, AND SOLID BRASS BODY THAT SLIDES INSIDE A 2" DIA. PLASTIC EMT SLEEVE (NOT SUPPLIED WITH PRODUCT) USED FOR PRE-INSTALLATION ALIGNMENT. THIS INSTALLATION MAKE ADJUSTMENTS TO THE WALL A PERFECT MATCH.



WATERPROOF SLEEVE END TO PREVENT WATER FROM SEEPING THROUGH THE WALL AND INTO THE LAMP HOUSING.

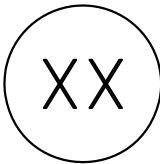
BLUE OR GRAY PLASTIC EMT CONDUIT WITH STRANDED THHN WIRE SIZED TO MATCH WATTAGE LOAD.



THIS FIXTURE IS DESIGNED FOR DOWN LIGHTING ONLY. DO NOT USE IN UP LIGHT POSITION.

SECTION/ELEVATION

# CUSTODE GRADINO(CG) CONCRETE MOUNT



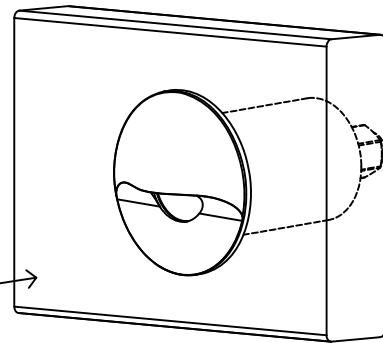
NOT TO SCALE

FX LUMINAIRE DETAIL

MOUNT FX LUMINAIRE CUSTODE  
GRADINO 8"–12" OFF FINISHED  
GRADE.

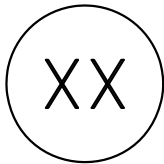
ATTACH SUPPLIED PVC ROUGH-IN  
SLEEVE TO WOOD WITH ANGLE  
BRACKETS OR COUNTER SUNK  
WOOD SCREWS, BRASS HOUSING  
SLIPS INTO PVC SLEEVE. TIGHTEN  
STAINLESS STEEL SET SCREWS TO  
ATTACH CG HOUSING TO  
ROUGH-IN BOX.

2"X6" WOODEN WALL



SECTION/ELEVATION

# CUSTODE GRADINO(CG) WOOD MOUNT



NOT TO SCALE

FX LUMINAIRE DETAIL

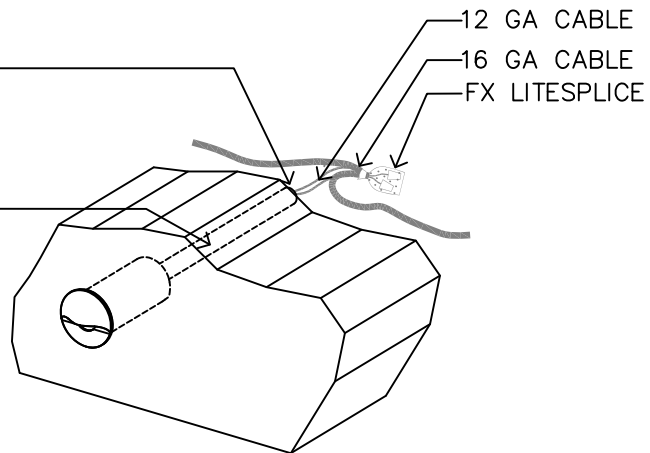
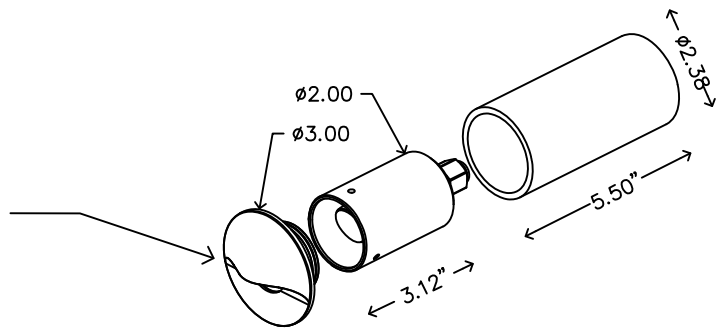
INSTALL FX LUMINAIRE CUSTODE GRADINO AS SHOWN USING 16 GAUGE CABLE AND PROVIDED WIRE NUTS. PLASTIC 2" DIA. EMT TUBING CAN BE DRILLED FOR 1/2" CONDUIT USING A 7/8" HOLE SAW.

FX LUMINAIRE CUSTODE GRADINO FIXTURE INCORPORATES A REMOVABLE CAP FOR LAMP REPLACEMENT, AND SOLID BRASS BODY THAT SLIDES INSIDE A 2" DIA. PLASTIC EMT SLEEVE (NOT SUPPLIED WITH PRODUCT) USED FOR PRE-INSTALLATION ALIGNMENT. THIS INSTALLATION MAKE ADJUSTMENTS TO THE WALL A PERFECT MATCH.

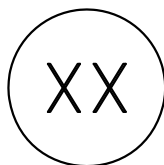
WATERPROOF SLEEVE END TO PREVENT WATER FROM SEEPING THROUGH THE WALL AND INTO THE LAMP HOUSING.

BLUE OR GRAY PLASTIC ENT CONDUIT WITH STRANDED THHN WIRE SIZED TO MATCH WATTAGE LOAD.

THIS FIXTURE IS DESIGNED FOR DOWN LIGHTING ONLY. DO NOT USE IN UP LIGHT POSITION.



SECTION/ELEVATION



# CUSTODE GRADINO(CG) POURED CONCRETE MOUNT

NOT TO SCALE

FX LUMINAIRE DETAIL