

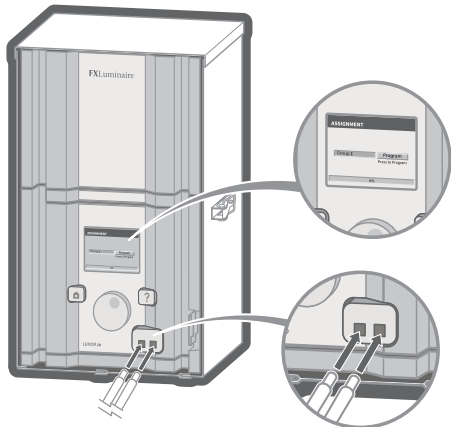
Assigning the CUBE to a Group

The Cube requires a group number assignment for Luxor control. The default group number is one (1), but that number can be changed in one of two ways: 1) manual assignment at the Luxor assignment ports, or 2) wireless assignment via the Light Assignment Module (LAM).

MANUAL ASSIGNMENT AT LUXOR PORTS

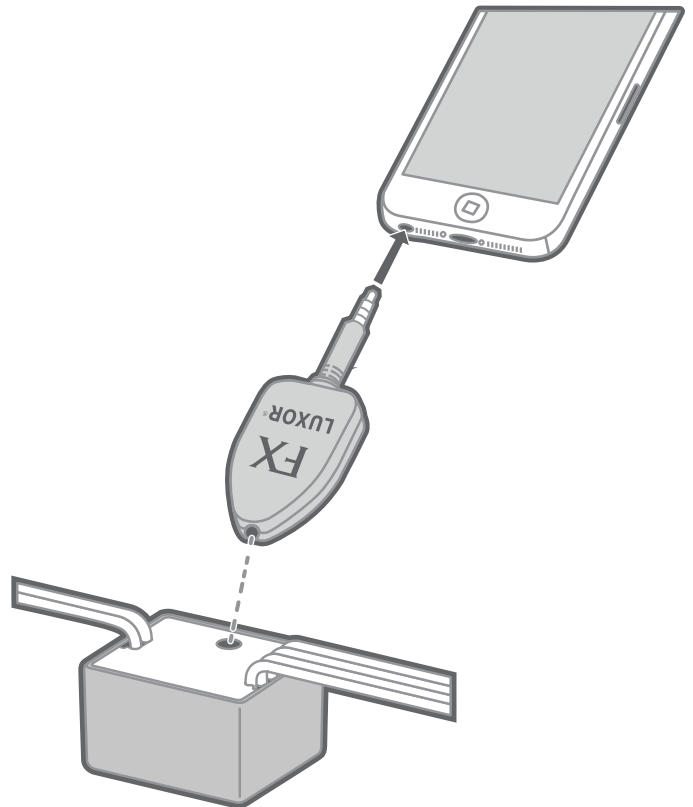
- **Insert Luxor wires into assignment ports.** The lighting assignment screen is automatically displayed when the black Cube wires (“LUX 1” and “LUX 2”) are inserted into the ports. This mode can also be forced by navigating to SETUP and selecting ASSIGN in the Luxor display menu. The Cube wires must retain contact inside the assignment ports during the assignment process.
- **Select group number.** Use the scroll wheel to select the desired group number.
- **Press PROGRAM.** Navigate to PROGRAM and press the scroll wheel to initiate assignment. When complete, the screen will show “Assignment Successful” or “Assignment Failed.” If failed, reposition wires and try again. If the problem persists, the device may be defective.

Note: The assigned fixture group number is stored in the Cube and not in the Luxor. Thus, power loss or other errors within the Luxor controller will not affect the assignment number. If the Cube is replaced, the new Cube must be assigned to the desired group number.



WIRELESS ASSIGNMENT WITH THE LAM

The Luxor Wi-Fi owner’s manual contains detailed instructions on assignment using the FX Luxor smartphone app with the LAM. Access the document at this link: <http://hunter.direct/luxorwifimanual>



We have developed this series of field installation guidelines to assist you in correctly installing the Luxor Cube LV, HV and Relay. If you have any questions, please call your local distributor or the FX TechLine at 800-733-2823 before proceeding. Follow all NEC guidelines and local electrical codes. For more information, visit: fxl.com

INSTALL NOTES: LUXOR® CUBE

The Luxor Cube allows the Luxor ZD and ZDC to control, zone, and dim lighting fixtures and other devices that don't have built-in FX technology. Install the Cube in-line prior to the fixtures or devices you wish to control as a zone. When that zone is activated by the Luxor, all fixtures or devices in-line after the Cube will initiate and dim according to the commands of the Luxor.

THREE LUXOR CUBE MODELS AVAILABLE:

1. Low Voltage (LCM-LV)

- Add zoning and dimming to AC dimmable LEDs (Diagram A)
- Luxor will power the dimmable LEDs, but an alternate power source is required for incandescent lamps (Diagram B)
- Do not exceed 60 watts

CAUTION

- Attach only lamps to the output of the LV Cube.
- Attach only dimmable lamps to the output.
- Do not use the LUXOR as both power and control if an incandescent fixture is attached to the Cube's output.
- Do not apply more than 15VAC to the input power leads.
- Do not attach more than 60W of lamps to the output of the LV Cube.
- Use only watertight connectors in wet environments.

2. High Voltage (LCM- HV)

- Add zoning and dimming to incandescent and AC dimmable LED fixtures.
- Do not exceed 400 watts

CAUTION

- Attach only lamps to the output of the HV Cube (no motors, transformers or other non-lamp loads).
- Do not attach the output of the HV Cube to a non-dimmable lamp.
- Do not attach more than 400watts of lamps to the output.
- Do not short the output.
- Use only forward phase-cut dimmable lamps.
- Do not apply 230 ,240, or 277VAC to the input.
- Do not install the Cube such that its output is connected to a standard wall outlet.
- Do not forget to attached the green wire to ground.
- Install inside a junction box according to NEC guidelines.

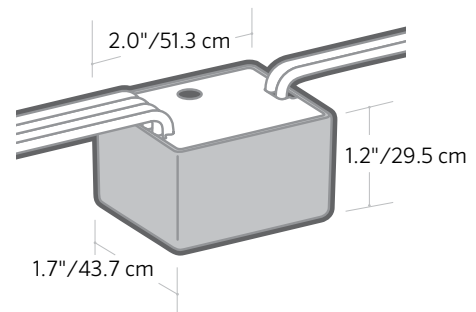
3. Relay and 0-10V (LCM-RLY-010V)

- Control via relay or 0-10V dimming

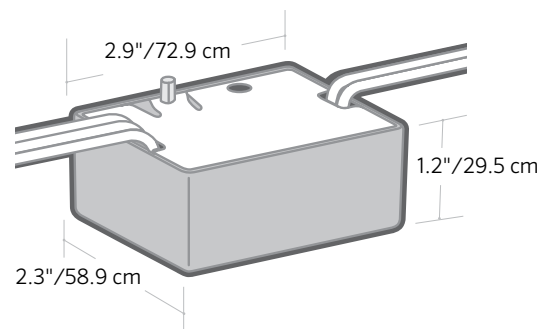
CAUTION

- Do not attach the 0-10V output of the Cube to anything except a 0-10V input dimmable power supply.
- Do not use to switch a load greater than 250VAC.
- Do not use to switch a load greater than 5A.
- Do not use to switch a load that requires a horsepower-rated relay.

LOW VOLTAGE (LCM-LV)/ RELAY (LCM-RLY-010V)



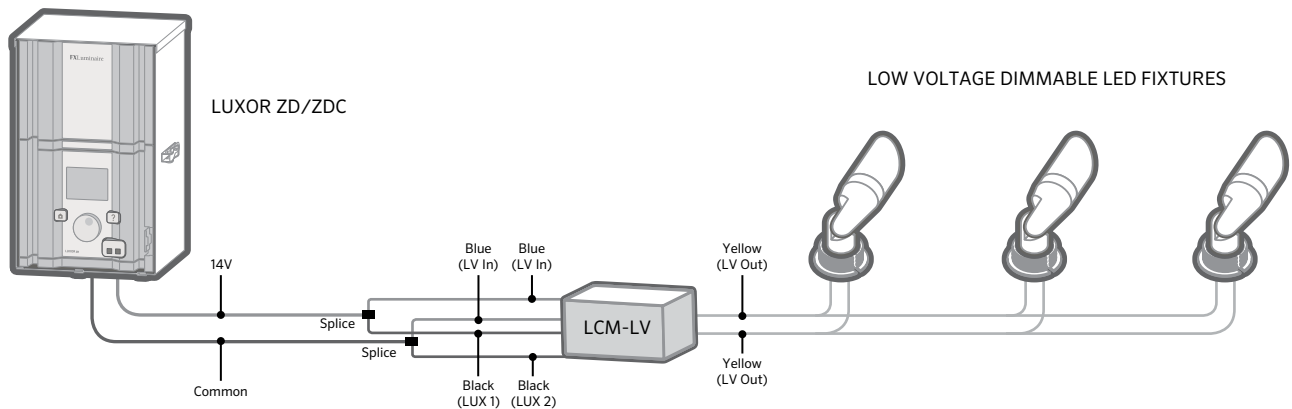
HIGH VOLTAGE (LCM-HV)



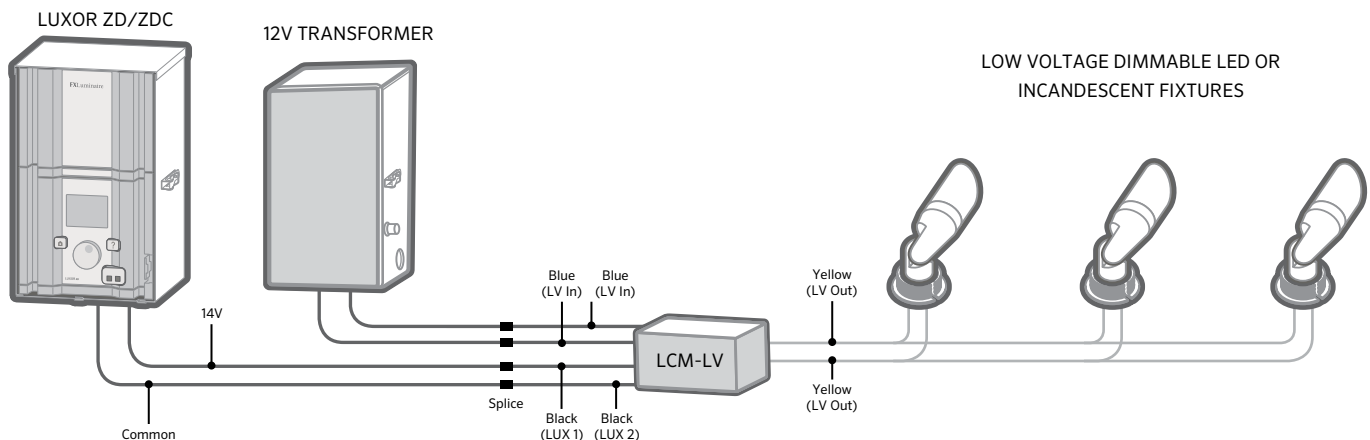
LUXOR CUBE AND RELAY WIRING DIAGRAMS

TYPE	MODEL NO	MAX LOAD	SUPPORTS	NOTES	DIAGRAM
Low Voltage	LCM-LV	60W / 5A	AC Dimmable LEDs		Diagram A
			Incandescent	Alternate LV power source required	Diagram B
High Voltage	LCM-HV	400W / 3.3A	AC Lighting (LED and Incandescent)	Alternate HV power source required	Diagram C
Relay / 0-10V	LCM-RLY-010V	250VAC / 5A	Relay switch		Diagram D/E

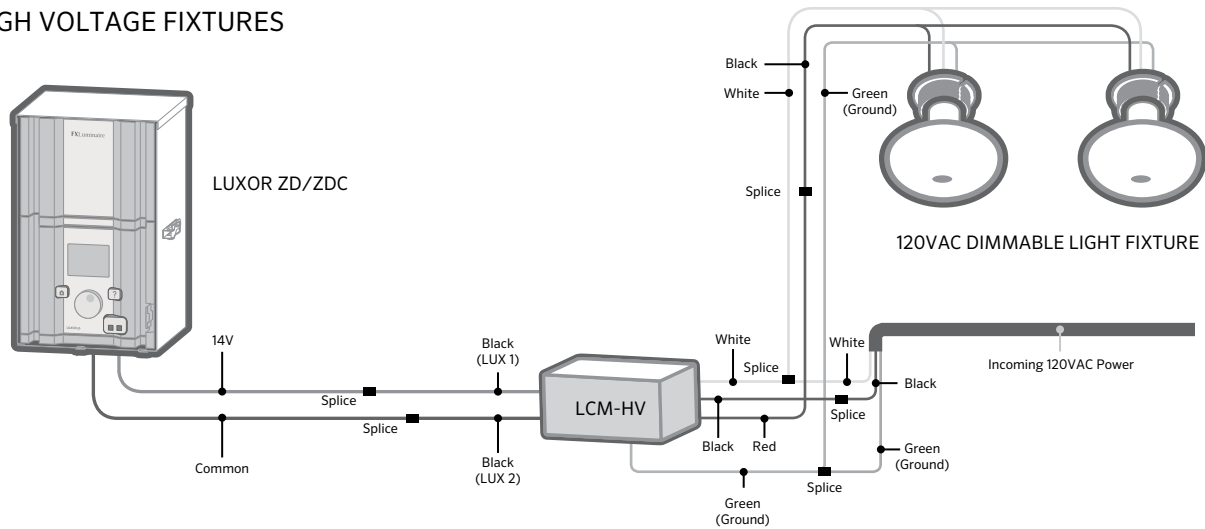
[A] LOW VOLTAGE DIMMABLE LED FIXTURES



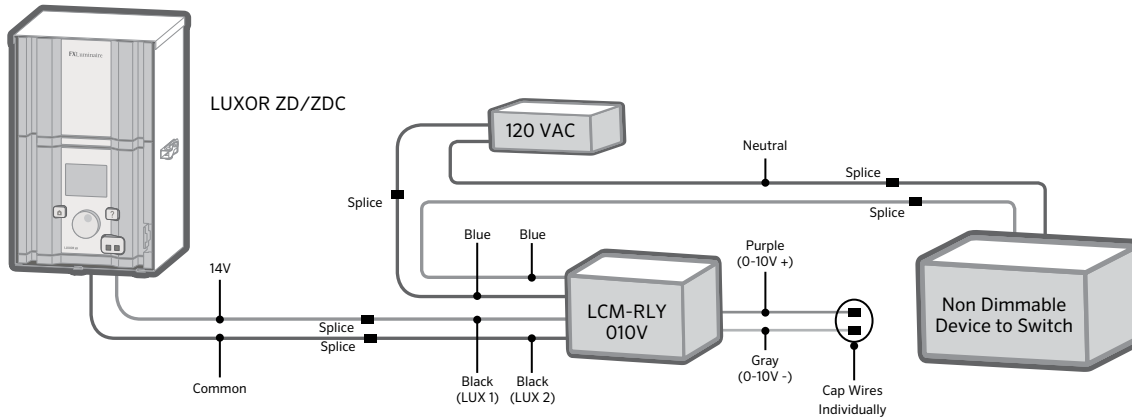
[B] LOW VOLTAGE INCANDESCENT - 12V TRANSFORMER



[C] HIGH VOLTAGE FIXTURES



[D] RELAY



[E] 0-10V Dimmable Power Supply

