

UNIT HUMS DO NOT
MOUNT ON BEDROOM WALLS

DOUBLE GANG DIE CAST WEATHERPROOF ENCLOSURE(RACO #5319-0) WITH WEATHER-PROOF COVER AND GFI PROTECTED BY 120 VAC POWER SUPPLY SWITCHED BY CENTRAL CONTROL SYSTEM AND 120 VAC 20 AMP UNSWITCHED GFI PROTECTED CONVENIENCE RECEPTACLE.

ALL METAL PARTS MUST BE GROUNDED IN ACCORDANCE TO NEC GUIDELINES

LIQUID TIGHT 1" CONDUIT OR FLEX

USE 1.50" GRAY PVC CONDUIT BETWEEN TRANSFORMER AND GUTTER

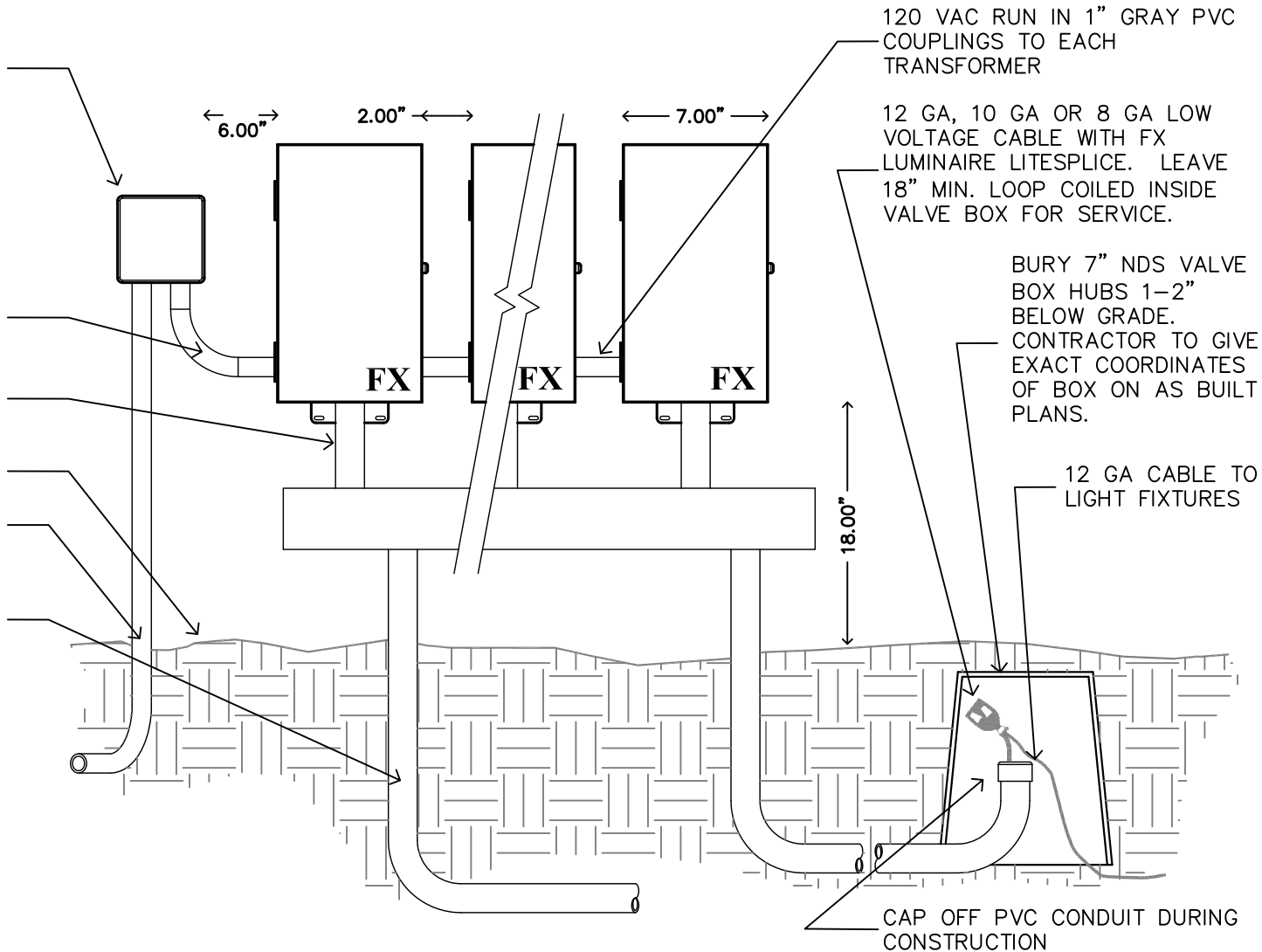
FINISHED GRADE

120 VAC FEED

RUN LOW VOLTAGE CABLES IN 1.50" GRAY PVC CONDUIT BELOW GRADED SURFACES, DEPTH PER PLAN NOTES AND SPECIFICATIONS

FX LUMINAIRE STAINLESS STEEL POWERX TRANSFORMER, SEE LIGHTING PLAN FOR WATTAGE, SIZE AND SWITCHING TYPE

MOUNT BEHIND PLANT MATERIAL OR FENCE TO OBSCURE A DIRECT VIEW OF THE POWERX TRANSFORMER. LOCATE AWAY FOM IRRIGATION HEADS.



120 VAC RUN IN 1" GRAY PVC COUPLINGS TO EACH TRANSFORMER

12 GA, 10 GA OR 8 GA LOW VOLTAGE CABLE WITH FX LUMINAIRE LITESPLICE. LEAVE 18" MIN. LOOP COILED INSIDE VALVE BOX FOR SERVICE.

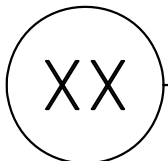
BURY 7" NDS VALVE BOX HUBS 1-2" BELOW GRADE. CONTRACTOR TO GIVE EXACT COORDINATES OF BOX ON AS BUILT PLANS.

12 GA CABLE TO LIGHT FIXTURES

CAP OFF PVC CONDUIT DURING CONSTRUCTION

PX TRANSFORMER
HUB DETAIL

SECTION/ELEVATION



NOT TO SCALE

FX LUMINAIRE DETAIL

FX LUMINAIRE STAINLESS STEEL
POTENZA X TRANSFORMER.
SEE LIGHTING PLAN FOR WATTAGE, SIZE
AND SWITCHING TYPE.

MOUNT BEHIND PLANT MATERIAL OR
BOULDERS TO OBSCURE A DIRECT VIEW
OF THE POWERX TRANSFORMER.
LOCATE AWAY FROM IRRIGATION HEADS.

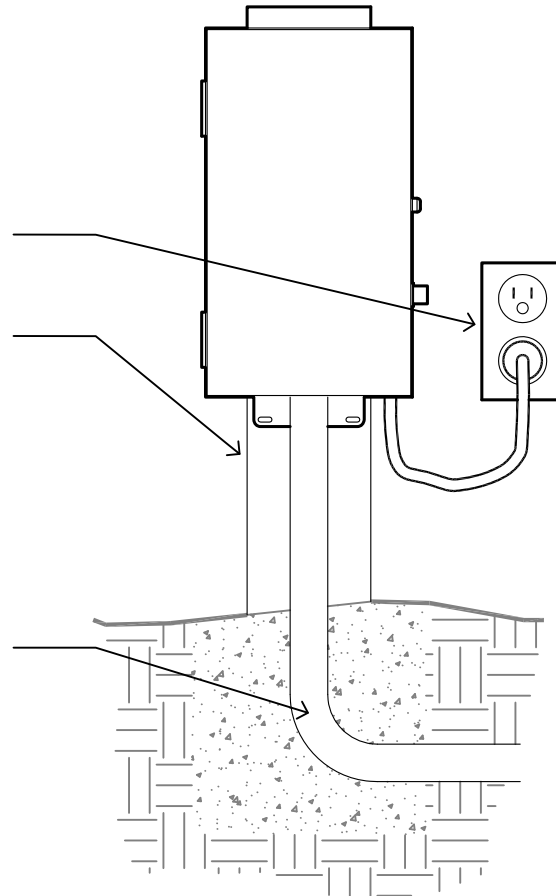
GFI PROTECTED 120V POWER WITH
WATERPROOF QUTLET COVER

4"X4" REDWOOD POST MOUNTED IN A
CONCRETE FOOTING.

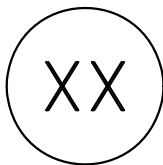
ALL METAL PARTS MUST BE GROUNDED
IN ACCORDANCE TO NEC GUIDELINES.

BOTTOM OF TRANSFORMER CABINET TO
BE A MINIMUM OF 12" ABOVE FINISHED
GRADE.

RUN LOW VOLTAGE CABLES IN 1.50"
GRAY PVC CONDUIT UNTIL THEY ARE
12" BELOW FINISHED GRADE.



SECTION/ELEVATION



PONTENZA X TRANSFORMER POST MOUNT

NOT TO SCALE

FX LUMINAIRE DETAIL

FX LUMINAIRE STAINLESS STEEL
POTENZA X TRANSFORMER.
SEE LIGHTING PLAN FOR WATTAGE, SIZE
AND SWITCHING TYPE.

MOUNT BEHIND PLANT MATERIAL OR
BOULDERS TO OBSCURE A DIRECT VIEW
OF THE POWERX TRANSFORMER.
LOCATE AWAY FROM IRRIGATION HEADS.

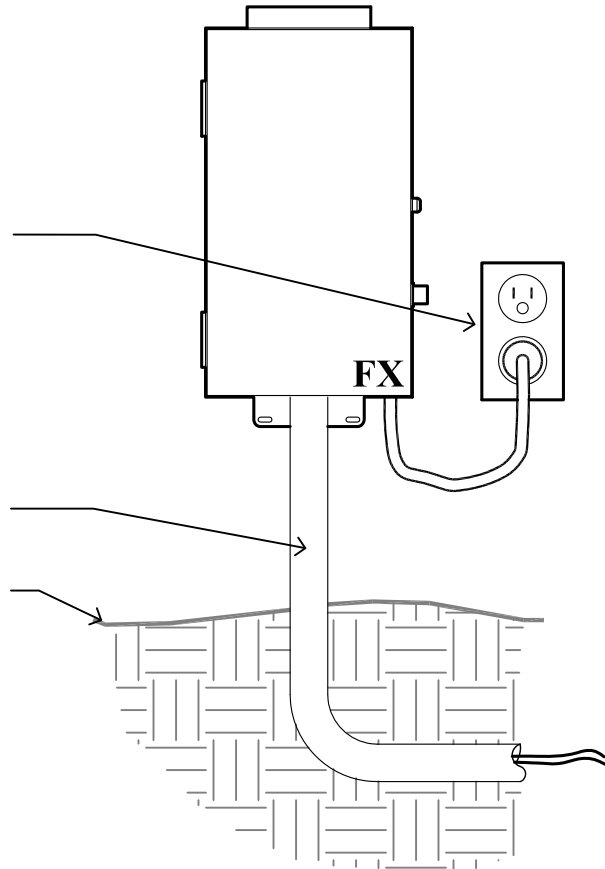
GFI PROTECTED 120V POWER WITH
WATERPROOF QUTLET COVER

ALL METAL PARTS MUST BE GROUNDED
IN ACCORDANCE TO NEC GUIDELINES.

BOTTOM OF TRANSFORMER CABINET TO
BE A MINIMUM OF 12" ABOVE FINISHED
GRADE.

RUN LOW VOLTAGE CABLES IN 1.50"
GRAY PVC CONDUIT UNTIL THEY ARE
12" BELOW FINISHED GRADE.

FINISHED GRADE



UNIT HUMS DO NOT MOUNT ON
BEDROOM WALLS

SECTION/ELEVATION

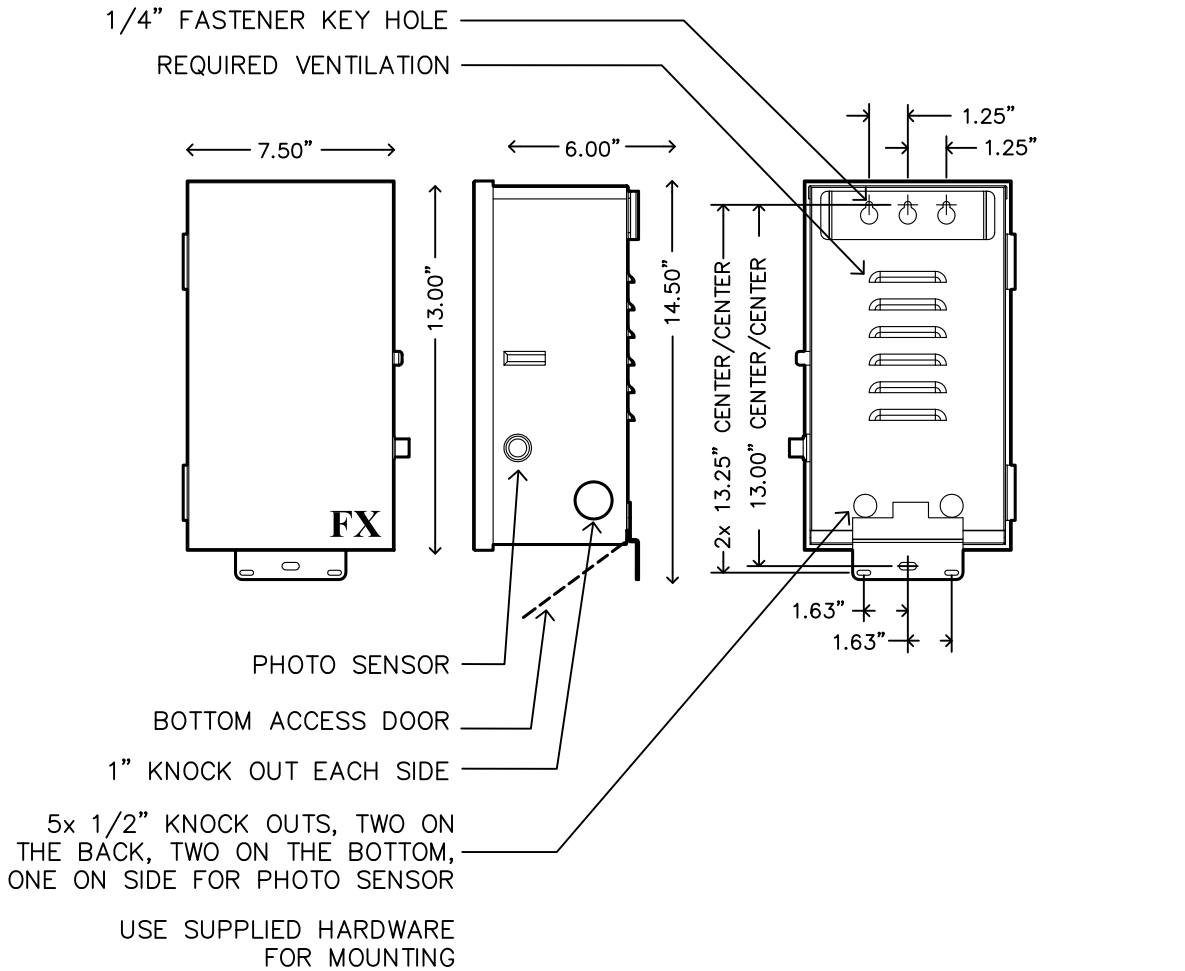
XX PONTENZA X TRANSFORMER
POST MOUNT

NOT TO SCALE

FX LUMINAIRE DETAIL

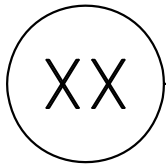
FX LUMINAIRE TRANSFORMER
 SEE LIGHTING PLAN FOR WATTAGE AND
 LOCATION.

LEAVE ADEQUATE AIR SPACE FOR COOLING



FRONT/SIDE/REAR/ELEVATIONS

PX300 & PX 600
 TRANSFORMER

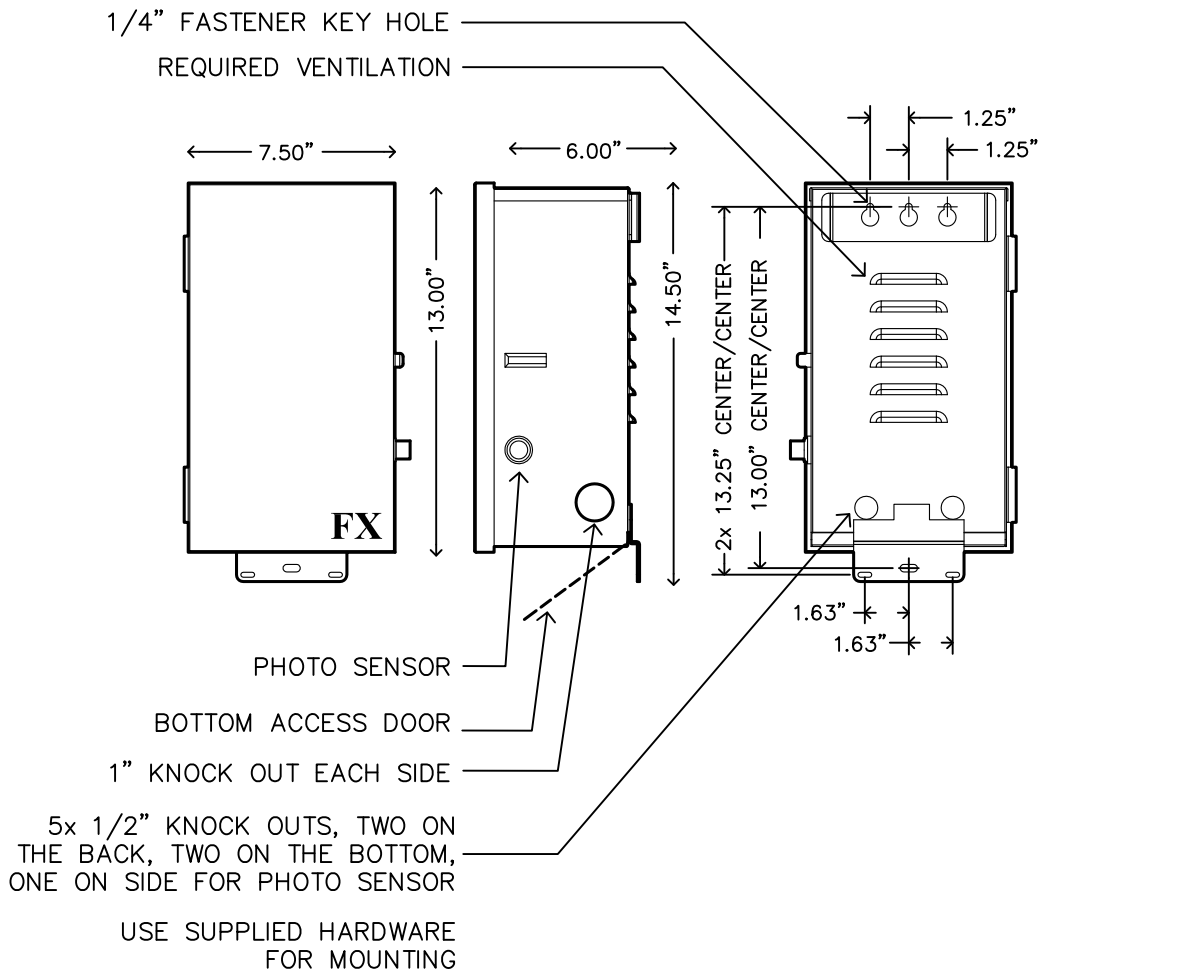


NOT TO SCALE

FX LUMINAIRE DETAIL

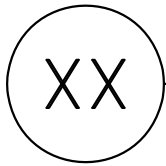
FX LUMINAIRE TRANSFORMER
 SEE LIGHTING PLAN FOR WATTAGE AND
 LOCATION.

LEAVE ADEQUATE AIR SPACE FOR COOLING



FRONT/SIDE/REAR/ELEVATIONS

PONTENZA X 300(PX300) TRANSFORMER

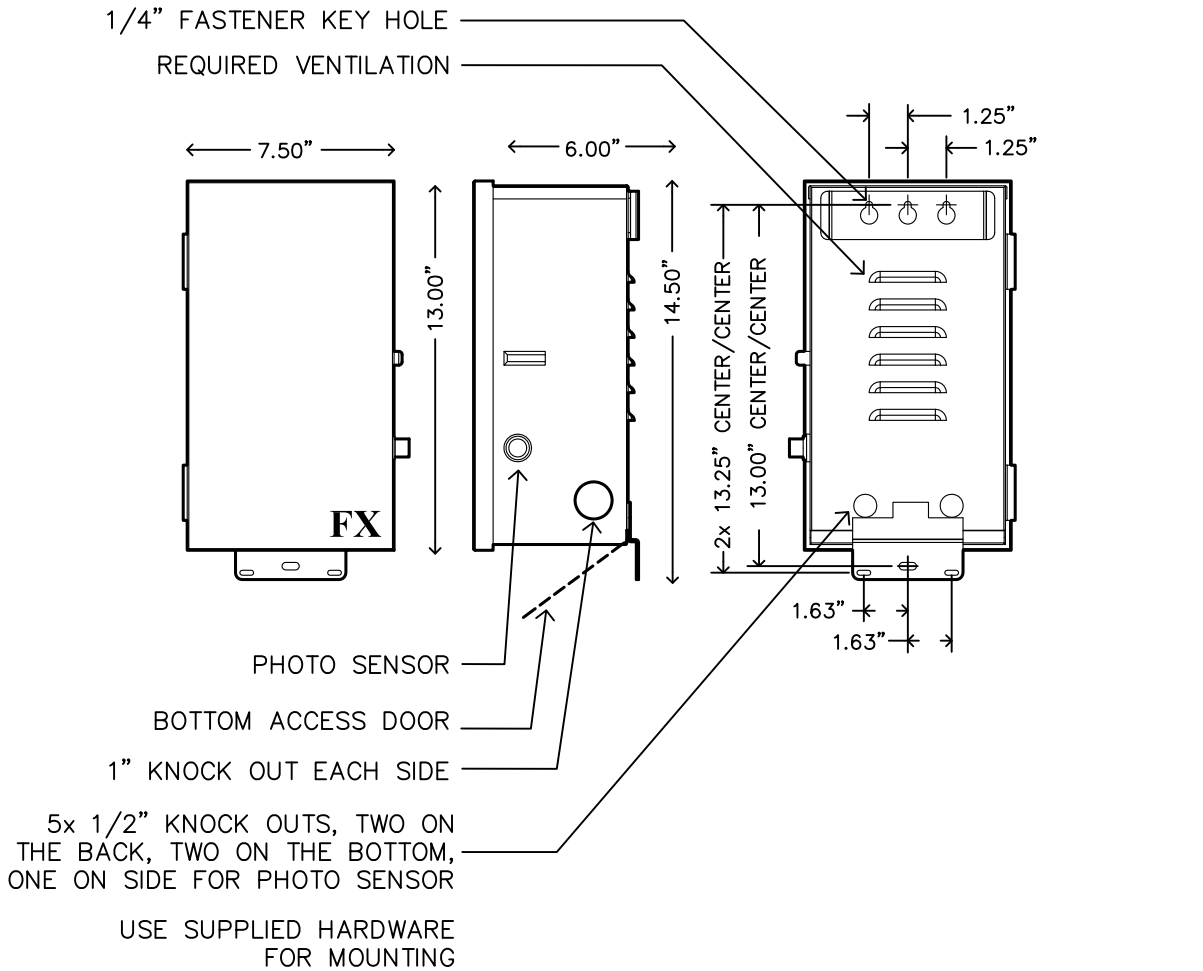


NOT TO SCALE

FX LUMINAIRE DETAIL

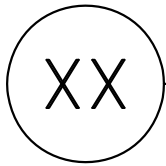
FX LUMINAIRE TRANSFORMER
 SEE LIGHTING PLAN FOR WATTAGE AND
 LOCATION.

LEAVE ADEQUATE AIR SPACE FOR COOLING



FRONT/SIDE/REAR/ELEVATIONS

PONTENZA X 600(PX600) TRANSFORMER



NOT TO SCALE

FX LUMINAIRE DETAIL

FX LUMINAIRE STAINLESS STEEL
POTENZA X TRANSFORMER.
SEE LIGHTING PLAN FOR WATTAGE, SIZE
AND SWITCHING TYPE.

MOUNT BEHIND PLANT MATERIAL OR
BOULDERS TO OBSCURE A DIRECT VIEW
OF THE POWERX TRANSFORMER.
LOCATE AWAY FROM IRRIGATION HEADS.

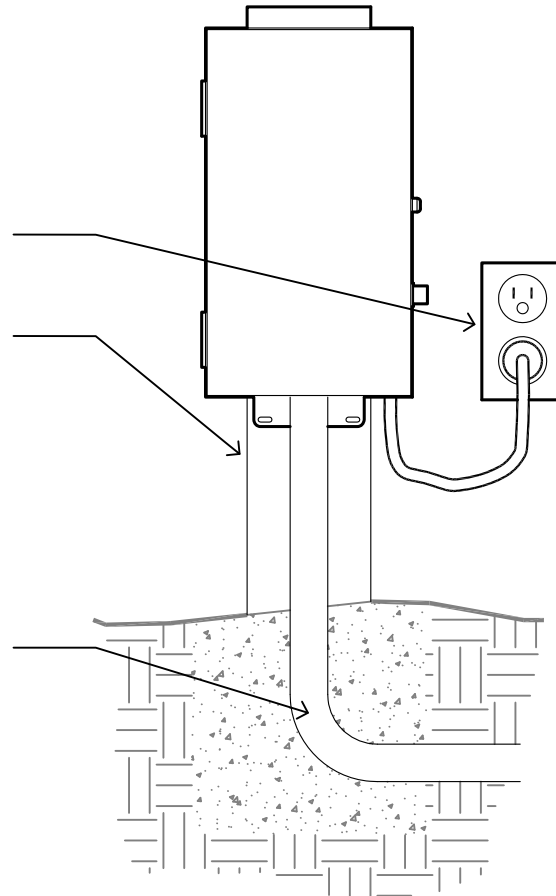
GFI PROTECTED 120V POWER WITH
WATERPROOF QUTLET COVER

4"X4" REDWOOD POST MOUNTED IN A
CONCRETE FOOTING.

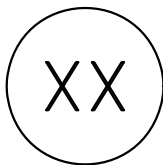
ALL METAL PARTS MUST BE GROUNDED
IN ACCORDANCE TO NEC GUIDELINES.

BOTTOM OF TRANSFORMER CABINET TO
BE A MINIMUM OF 12" ABOVE FINISHED
GRADE.

RUN LOW VOLTAGE CABLES IN 1.50"
GRAY PVC CONDUIT UNTIL THEY ARE
12" BELOW FINISHED GRADE.



SECTION/ELEVATION



PONTENZA X TRANSFORMER POST MOUNT

NOT TO SCALE

FX LUMINAIRE DETAIL