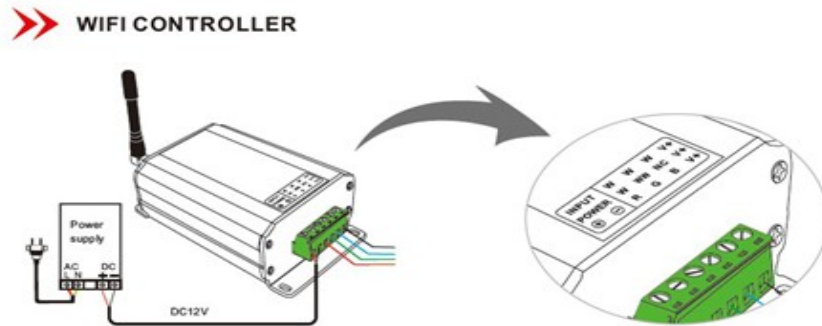


2. WiFi Control

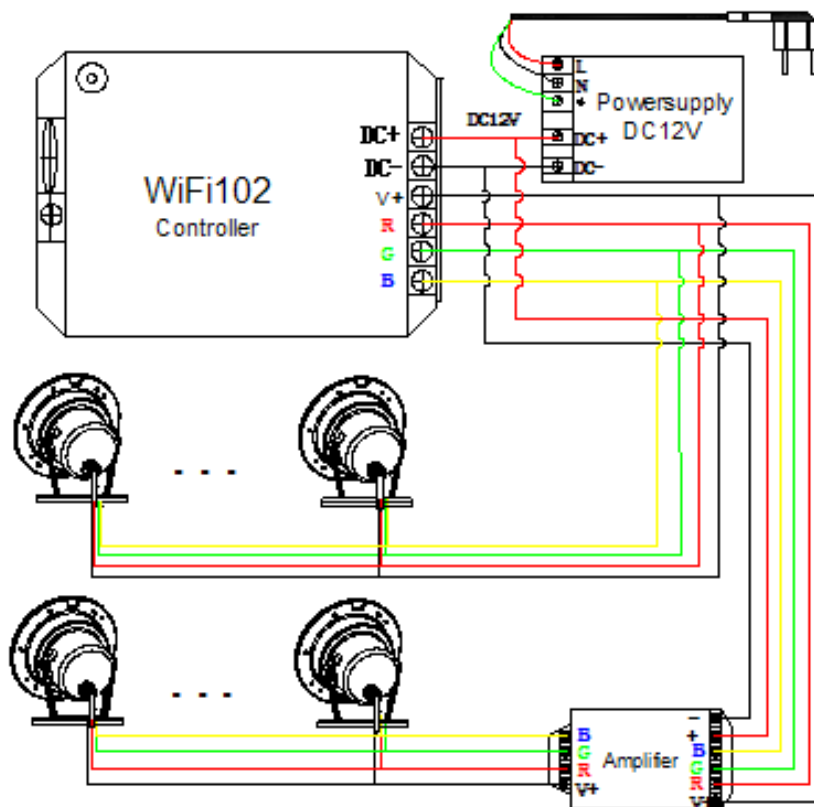


Step1: Connect Power supply (12V DC) to Input Power(DC+, DC-) of LED WIFI controller

Step2: (V+,B,G,R) port of LED WIFI controller connect to 4 wires(V+,B,G,R) of lamp as diagram below.

Remark: WiFi RGB Controller power is 100W, if total lamp wattage is above 100W, need to add Amplifier (150W) to enhance RGB signal.

Diagram:

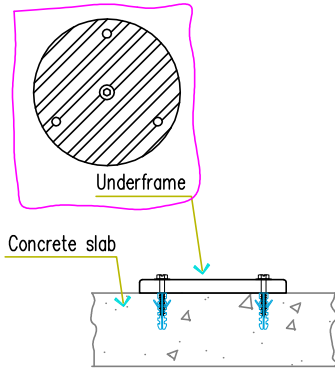


Without hole LED light Installation method

1. Install on the floor

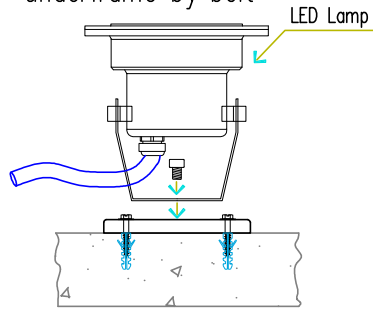
STEP 1:

Fix the underframe to the concrete by anchors and screws

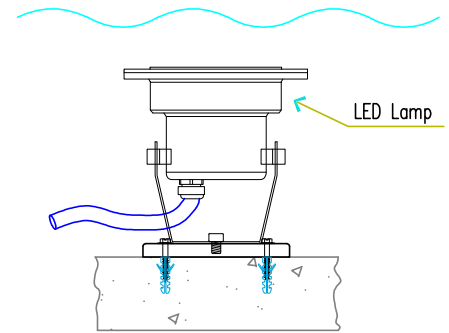


STEP 2:

Fix the lamp to underframe by bolt



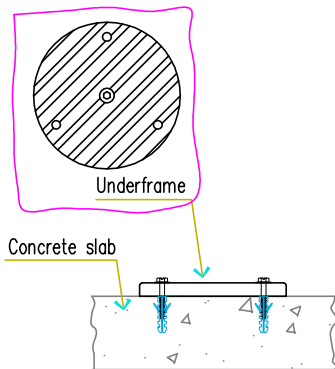
The lamp should be totally under water



2. Fix to the wall

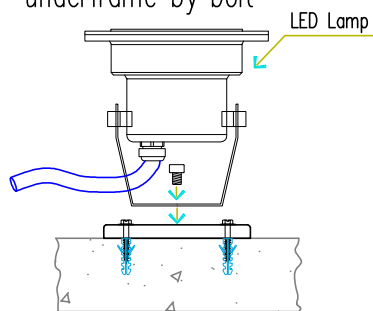
STEP 1:

Fix the underframe to the concrete by anchors and screws

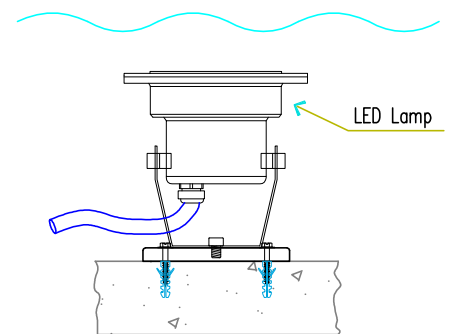


STEP 2:

Fix the lamp to underframe by bolt



The lamp should be totally under water

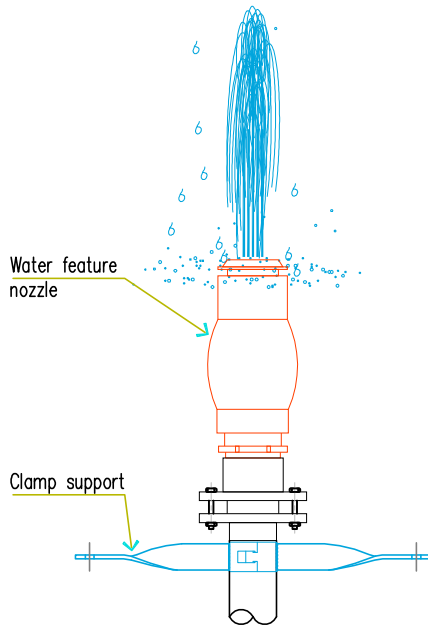


Without hole LED light Installation method

3. Install beside the nozzle

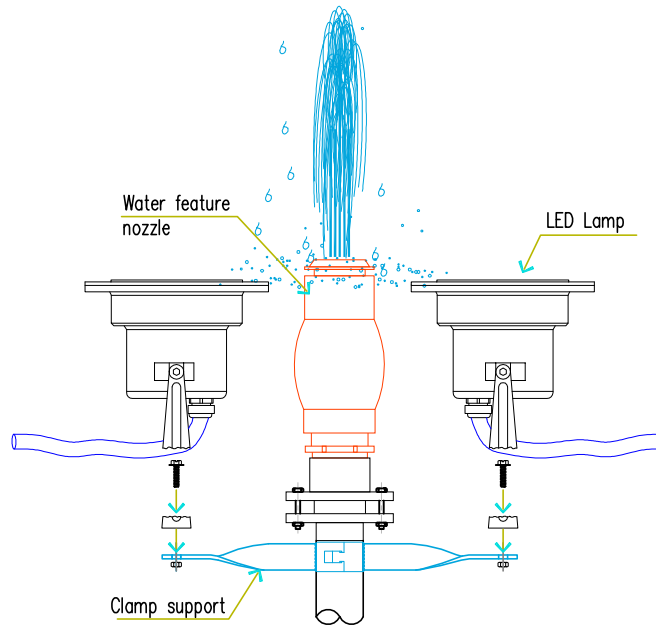
STEP 1:

Fix the clamp support to the pipe

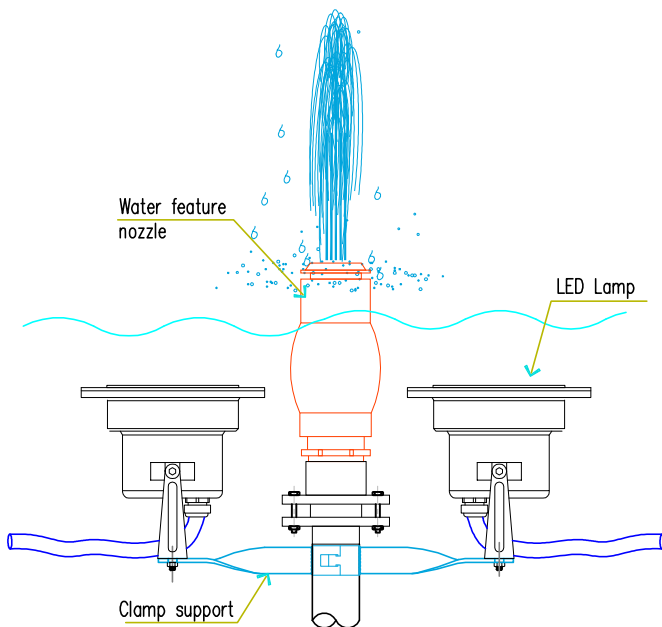


STEP 2:

Fix the lamp to clamp support by bolt & nut



The lamp should be totally under water

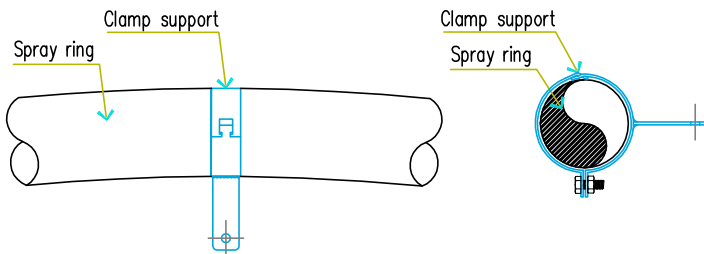


Without hole LED light Installation method

3. Install to the ring spray

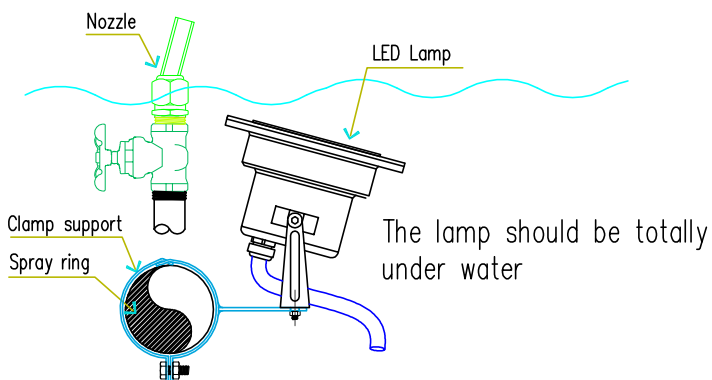
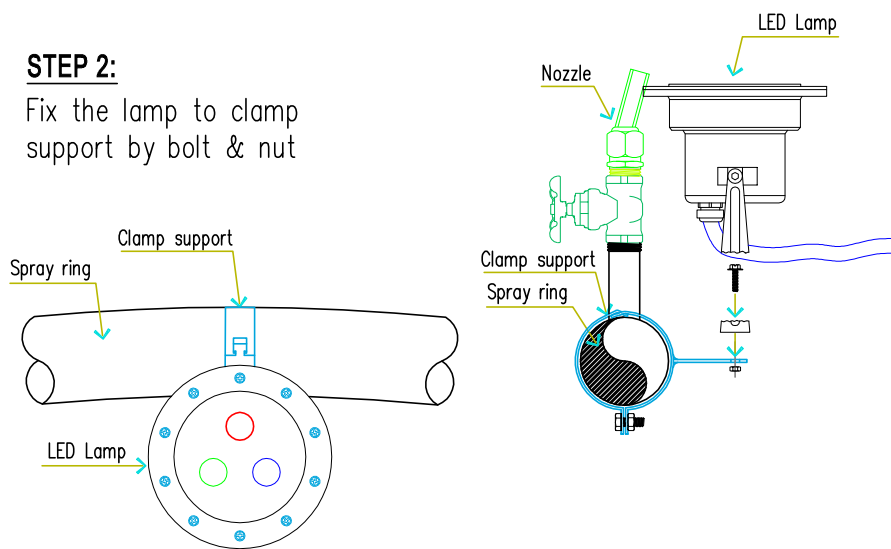
STEP 1:

Fix the clamp support to the pipe



STEP 2:

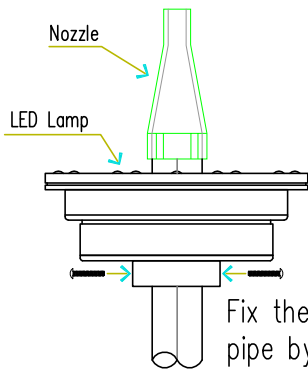
Fix the lamp to clamp support by bolt & nut



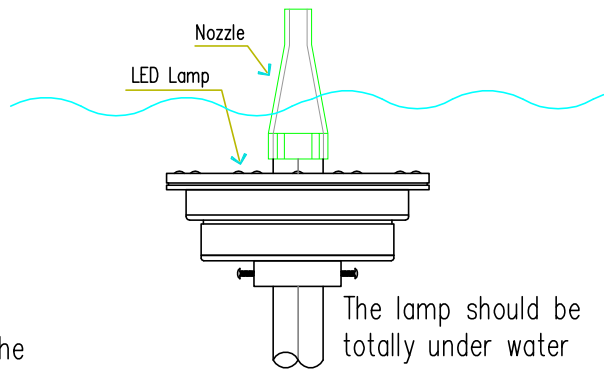
With hole LED light Installation method

Install with nozzle

STEP 1:



Fix the lamp to the pipe by tightening the bolts



The lamp should be totally under water

Note: This information is used for basic installation, please contact Viet Garden Company for more details. Hotline: 84 - (0) - 918 099 856; Email: info@densanvuon.com.vn