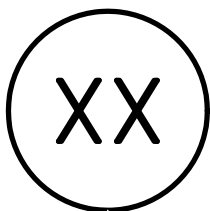
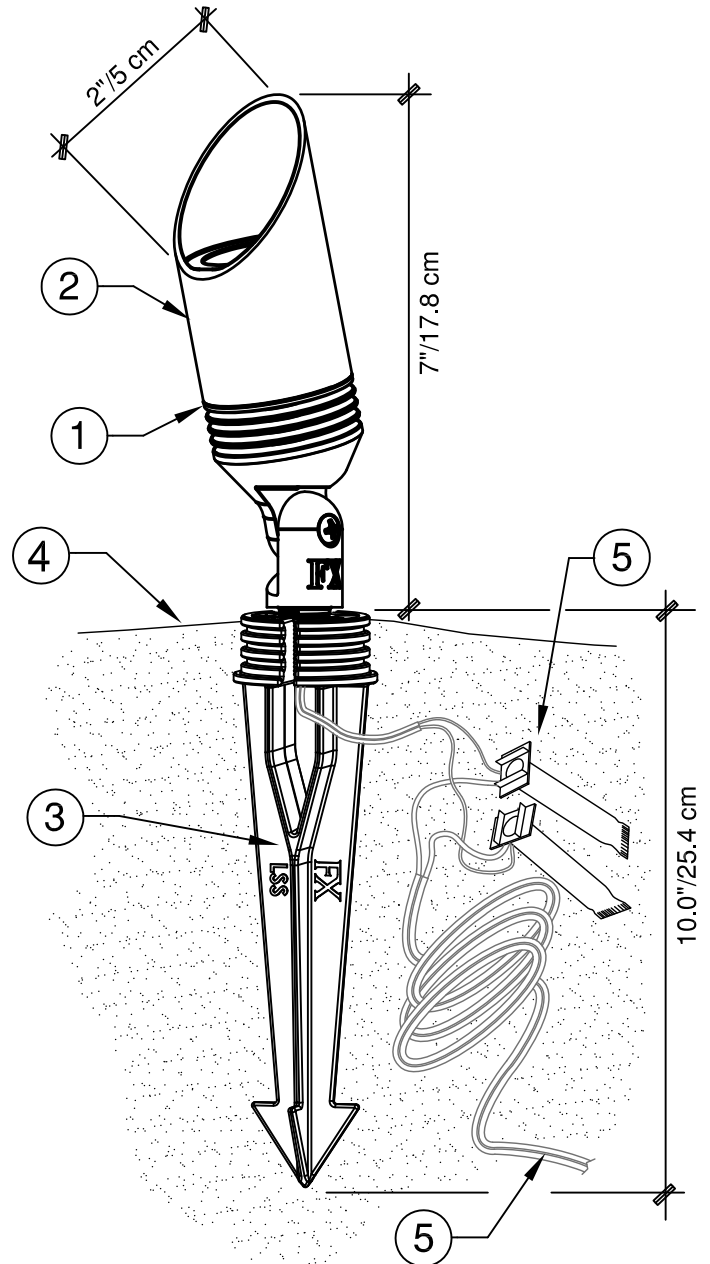


DETAIL LEGEND

- ① FX Luminaire VS fixture. See plan legend for wattage, beam spread and accessories.
- ② Aim fixture a minimum of 10° off vertical to allow water and dirt to drain off lens cap.
- ③ FX Luminaire Long Slot Spike mount.
- ④ Finished grade.
- ⑤ Direct bury, UF/UL, copper, low voltage cable with 3M DBR/Y-6 direct bury splice kit. Leave 18" minimum wire loop coiled below fixture for service.

NOTES

- A. Installation to be completed in accordance with manufacturer's specifications.
- B. Accepts 10-15 volts - AC or DC
- C. See plan legend for LED board option, beam spreads, and accessories.
- D. Always refer to FX product installation notes prior to installation.

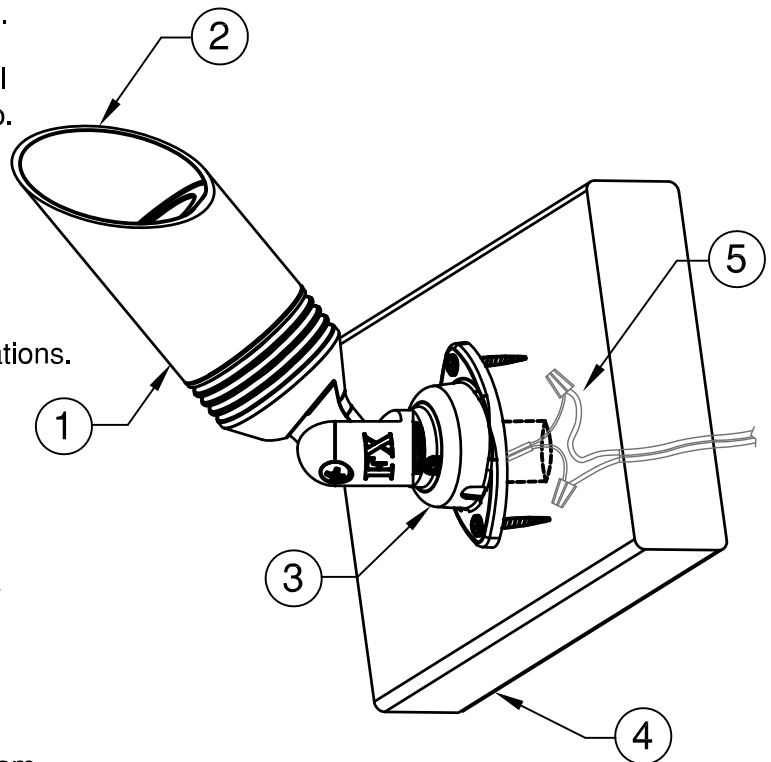


VS UP LIGHT LONG SLOT SPIKE

NOT TO SCALE

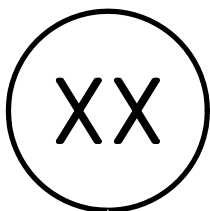
DETAIL LEGEND

- ① FX Luminaire VS fixture. See plan legend for wattage, beam spread and accessories.
- ② Aim fixture a minimum of 10° off horizontal to allow water and dirt to drain off lens cap.
- ③ FX Luminaire Mini J-Box mount.
- ④ Wood joist or header.
- ⑤ UF/UL, copper, low voltage cable. Splice wires according to FX recommendations.



NOTES

- A. Installation to be completed in accordance with manufacturer's specifications.
- B. Accepts 10-15 volts - AC or DC
- C. See plan legend for LED board option, beam spreads, and accessories.
- D. Always refer to FX product installation notes prior to installation.



VS UP LIGHT
MINI J-BOX

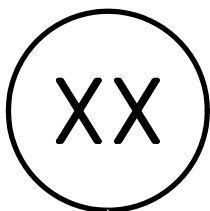
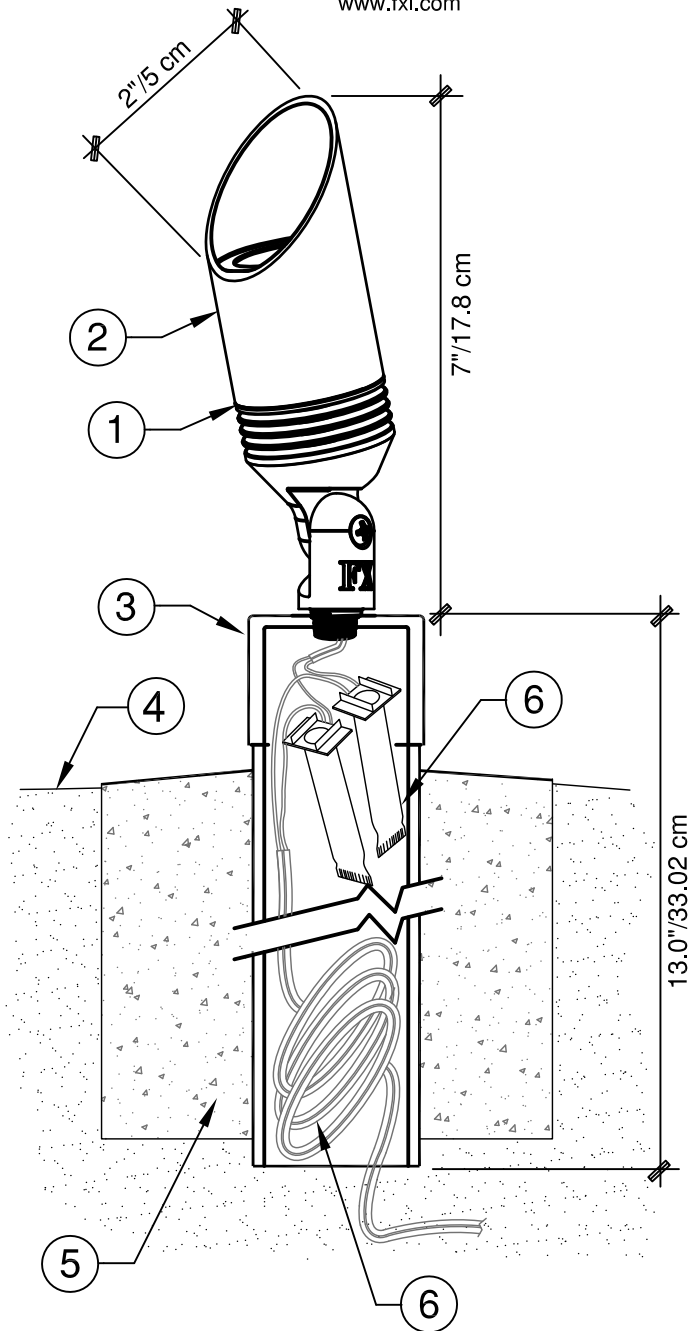
NOT TO SCALE

DETAIL LEGEND

- ① FX Luminaire VS fixture. See plan legend for wattage, beam spread and accessories.
- ② Aim fixture a minimum of 10° off vertical to allow water and dirt to drain off lens cap.
- ③ FX Luminaire Post Mount.
- ④ Finished grade.
- ⑤ Concrete footing. Depth per local code.
- ⑥ Direct bury, UF/UL, copper, low voltage cable with 3M DBR/Y-6 direct bury splice kit. Leave 18" minimum wire loop coiled below fixture for service.

NOTES

- A. Installation to be completed in accordance with manufacturer's specifications.
- B. Accepts 10-15 volts - AC or DC
- C. See plan legend for LED board option, beam spreads, and accessories.
- D. Always refer to FX product installation notes prior to installation.



VS UP LIGHT POST MOUNT

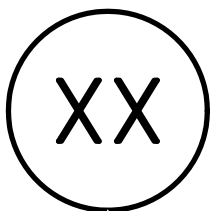
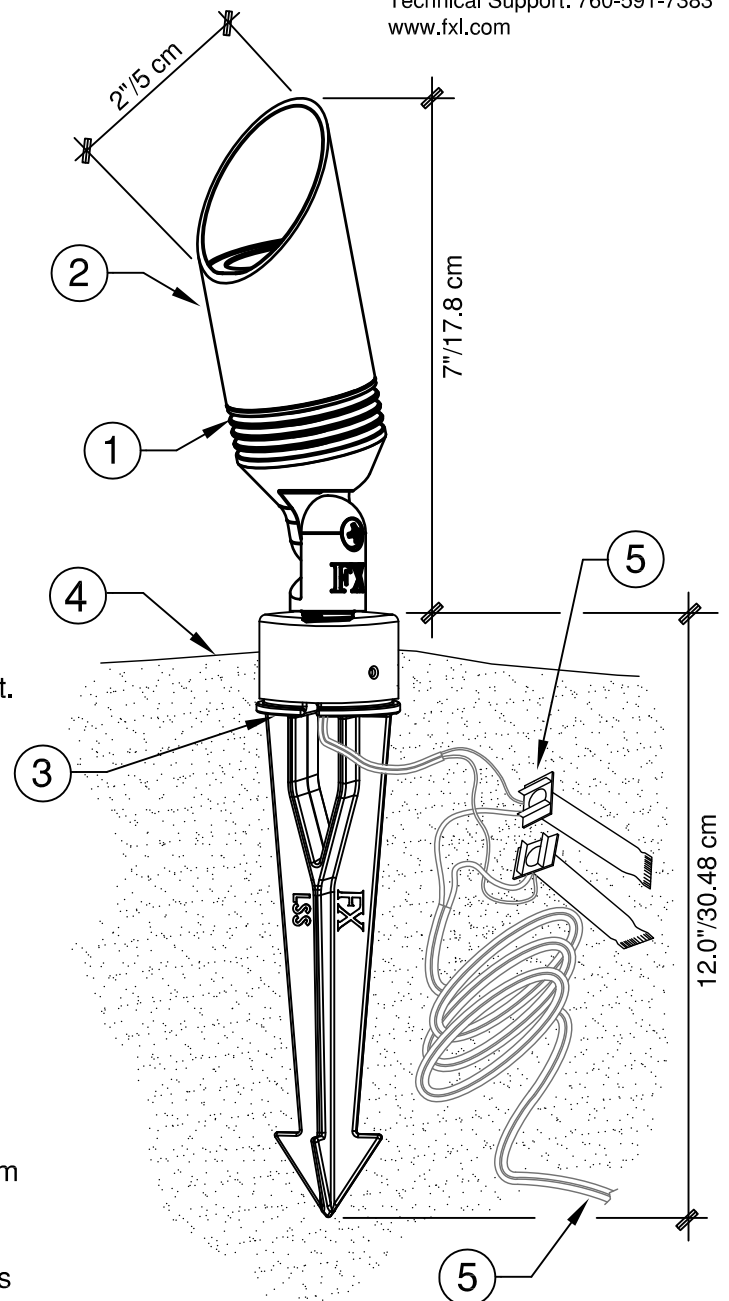
NOT TO SCALE

DETAIL LEGEND

- ① FX Luminaire VS fixture. See plan legend for wattage, beam spread and accessories.
- ② Aim fixture a minimum of 10° off vertical to allow water and dirt to drain off lens cap.
- ③ FX Luminaire Super J-Box mount.
- ④ Finished grade.
- ⑤ Direct bury, UF/UL, copper, low voltage cable with 3M DBR/Y-6 direct bury splice kit. Leave 18" minimum wire loop coiled below fixture for service.

NOTES

- A. Installation to be completed in accordance with manufacturer's specifications.
- B. Accepts 10-15 volts - AC or DC
- C. See plan legend for LED board option, beam spreads, and accessories.
- D. Always refer to FX product installation notes prior to installation.



VS UP LIGHT SUPER J-BOX

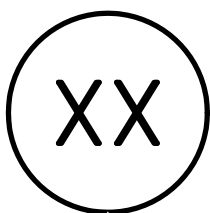
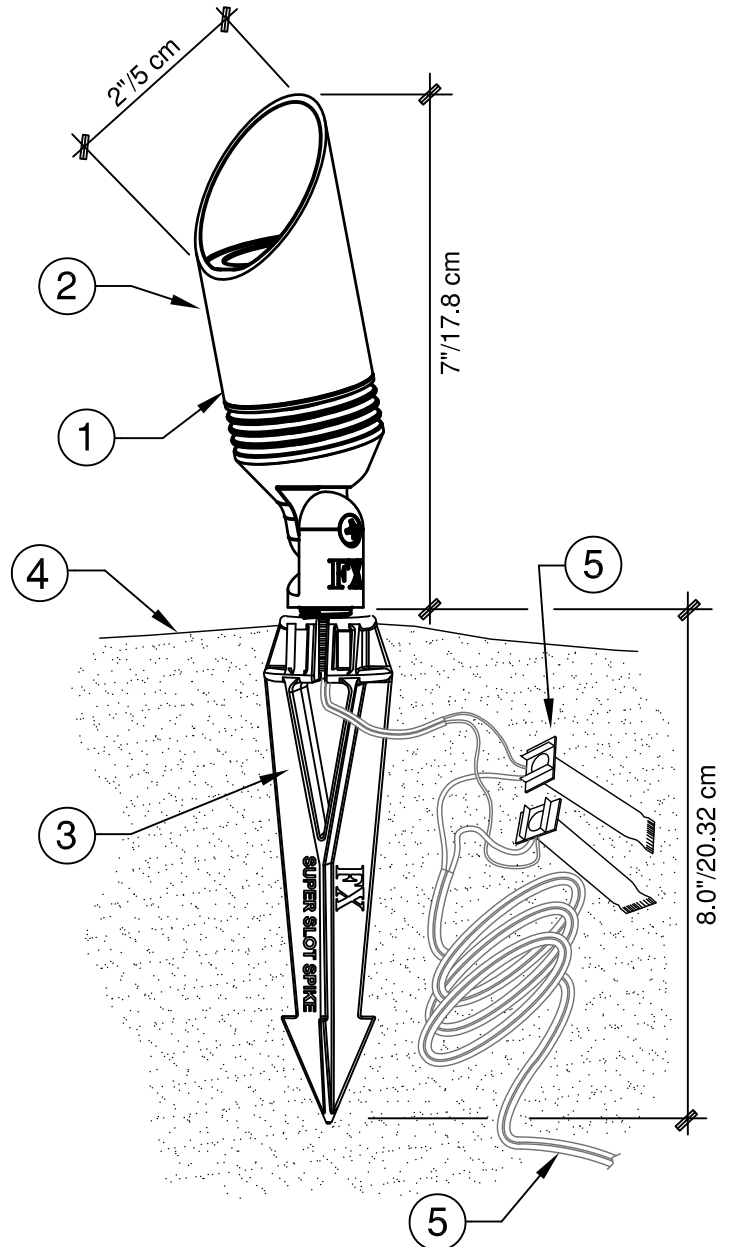
NOT TO SCALE

DETAIL LEGEND

- ① FX Luminaire VS fixture. See plan legend for wattage, beam spread and accessories.
- ② Aim fixture a minimum of 10° off vertical to allow water and dirt to drain off lens cap.
- ③ FX Luminaire Super Slot Spike mount.
- ④ Finished grade.
- ⑤ Direct bury, UF/UL, copper, low voltage cable with 3M DBR/Y-6 direct bury splice kit. Leave 18" minimum wire loop coiled below fixture for service.

NOTES

- A. Installation to be completed in accordance with manufacturer's specifications.
- B. Accepts 10-15 volts - AC or DC
- C. See plan legend for LED board option, beam spreads, and accessories.
- D. Always refer to FX product installation notes prior to installation.

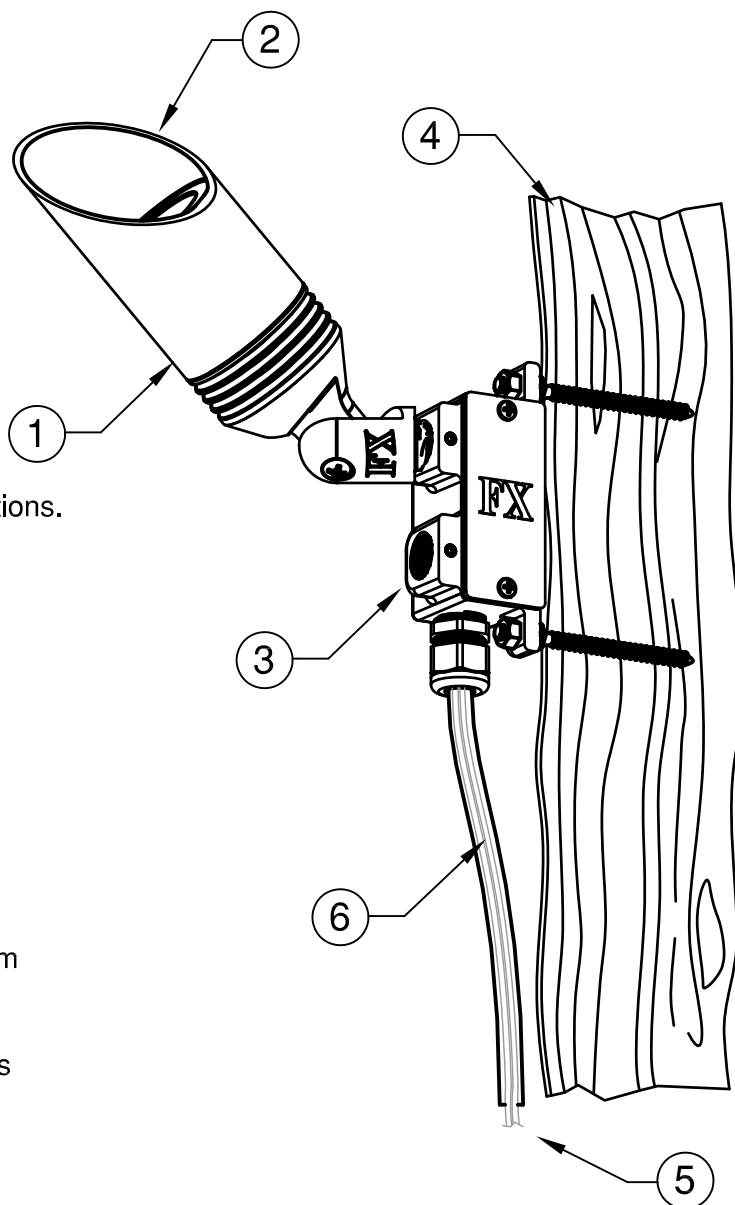


VS UP LIGHT SUPER SLOT SPIKE

NOT TO SCALE

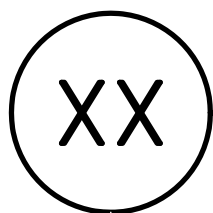
DETAIL LEGEND

- ① FX Luminaire VS fixture. See plan legend for wattage, beam spread and accessories.
- ② Aim fixture a minimum of 10° off horizontal to allow water and dirt to drain off lens cap.
- ③ FX Luminaire Tree Box mount.
- ④ Tree trunk or limb.
- ⑤ UF/UL, copper, low voltage cable. Splice wires according to FX recommendations.
- ⑥ Electrical conduit per local code.



NOTES

- A. Installation to be completed in accordance with manufacturer's specifications.
- B. Accepts 10-15 volts - AC or DC
- C. See plan legend for LED board option, beam spreads, and accessories.
- D. Always refer to FX product installation notes prior to installation.

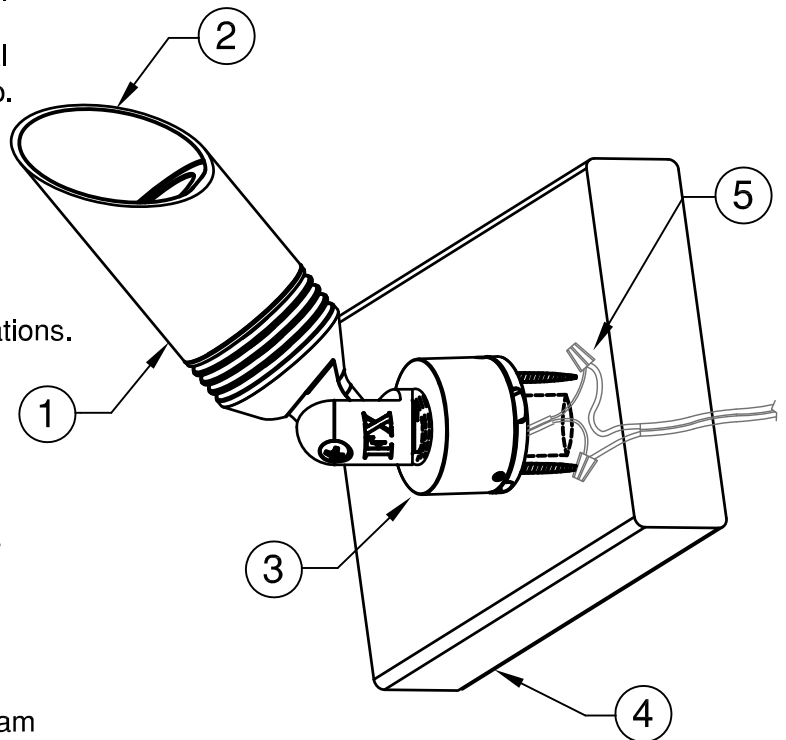


VS UP LIGHT TREE BOX

NOT TO SCALE

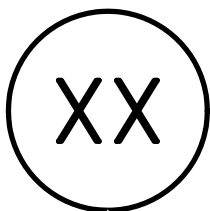
DETAIL LEGEND

- ① FX Luminaire VS fixture. See plan legend for wattage, beam spread and accessories.
- ② Aim fixture a minimum of 10° off horizontal to allow water and dirt to drain off lens cap.
- ③ FX Luminaire VersaBox® mount
- ④ Wood joist or header.
- ⑤ UF/UL, copper, low voltage cable. Splice wires according to FX recommendations.



NOTES

- A. Installation to be completed in accordance with manufacturer's specifications.
- B. Accepts 10-15 volts - AC or DC
- C. See plan legend for LED board option, beam spreads, and accessories.
- D. Always refer to FX product installation notes prior to installation.



VS UP LIGHT

VERSABOX®

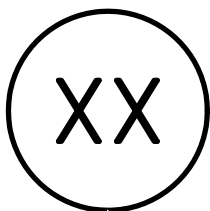
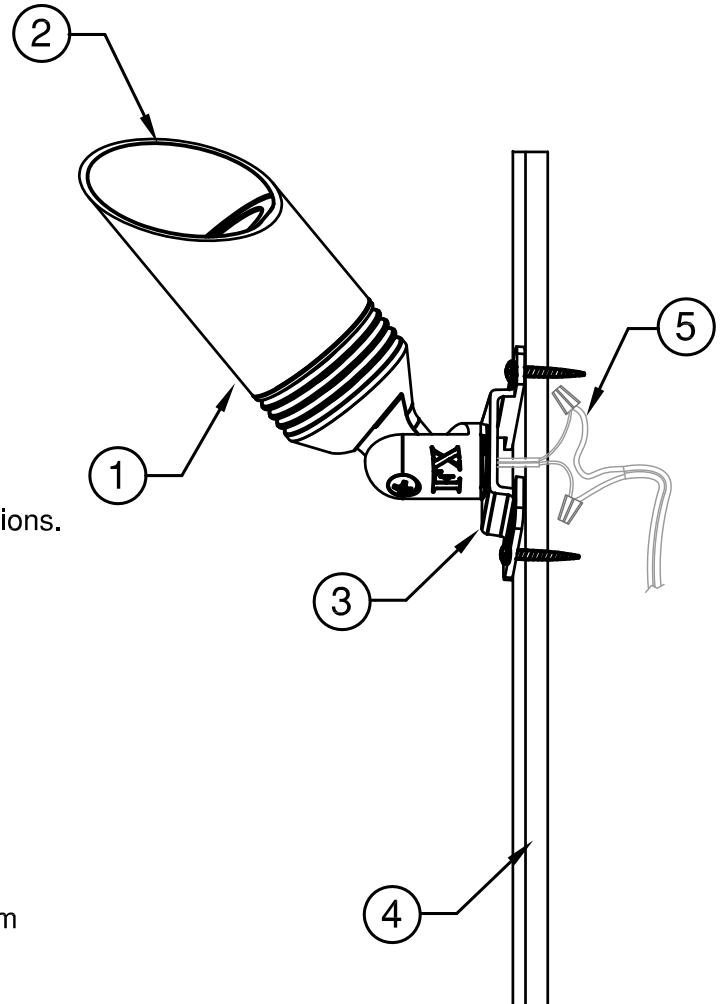
NOT TO SCALE

DETAIL LEGEND

- ① FX Luminaire VS fixture. See plan legend for wattage, beam spread and accessories.
- ② Aim fixture a minimum of 10° off horizontal to allow water and dirt to drain off lens cap.
- ③ FX Luminaire Wall Mount.
- ④ Wall or siding panel see plans.
- ⑤ UF/UL, copper, low voltage cable. Splice wires according to FX recommendations.

NOTES

- A. Installation to be completed in accordance with manufacturer's specifications.
- B. Accepts 10-15 volts - AC or DC
- C. See plan legend for LED board option, beam spreads, and accessories.
- D. Always refer to FX product installation notes prior to installation.



VS UP LIGHT WALL MOUNT

NOT TO SCALE