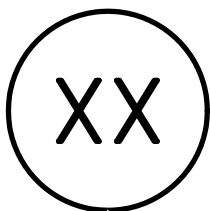
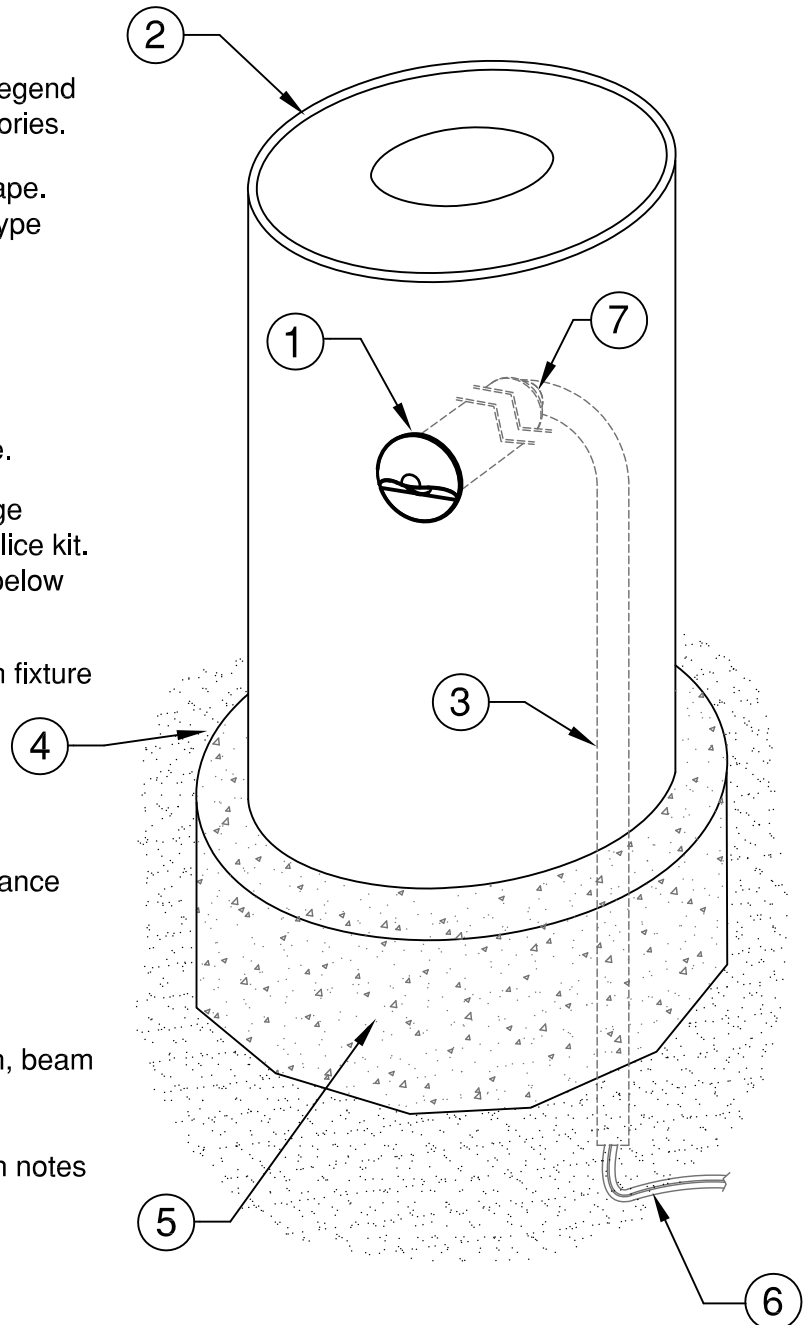


DETAIL LEGEND

- ① FX Luminaire PO-R fixture. See plan legend for wattage, beam spread and accessories.
- ② Round pedestal/bollard within landscape. See plans and landscape details for type of construction material.
- ③ $\frac{3}{4}$ " electrical conduit per local code.
- ④ Finished grade.
- ⑤ Concrete footing. Depth per local code.
- ⑥ Direct bury, UF/UL, copper, low voltage cable with 3M DBR/Y-6 direct bury splice kit. Leave 18" minimum wire loop coiled below fixture for service.
- ⑦ Use FX provided conduit included with fixture or standard 1½" conduit.

NOTES

- A. Installation to be completed in accordance with manufacturer's specifications.
- B. Accepts 10-15 volts - AC or DC
- C. See plan legend for LED board option, beam spreads, and accessories.
- D. Always refer to FX product installation notes prior to installation.



PO-R PATH LIGHT

ROUND PEDESTAL / BOLLARD

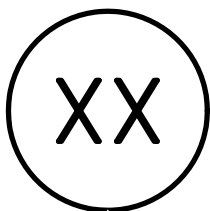
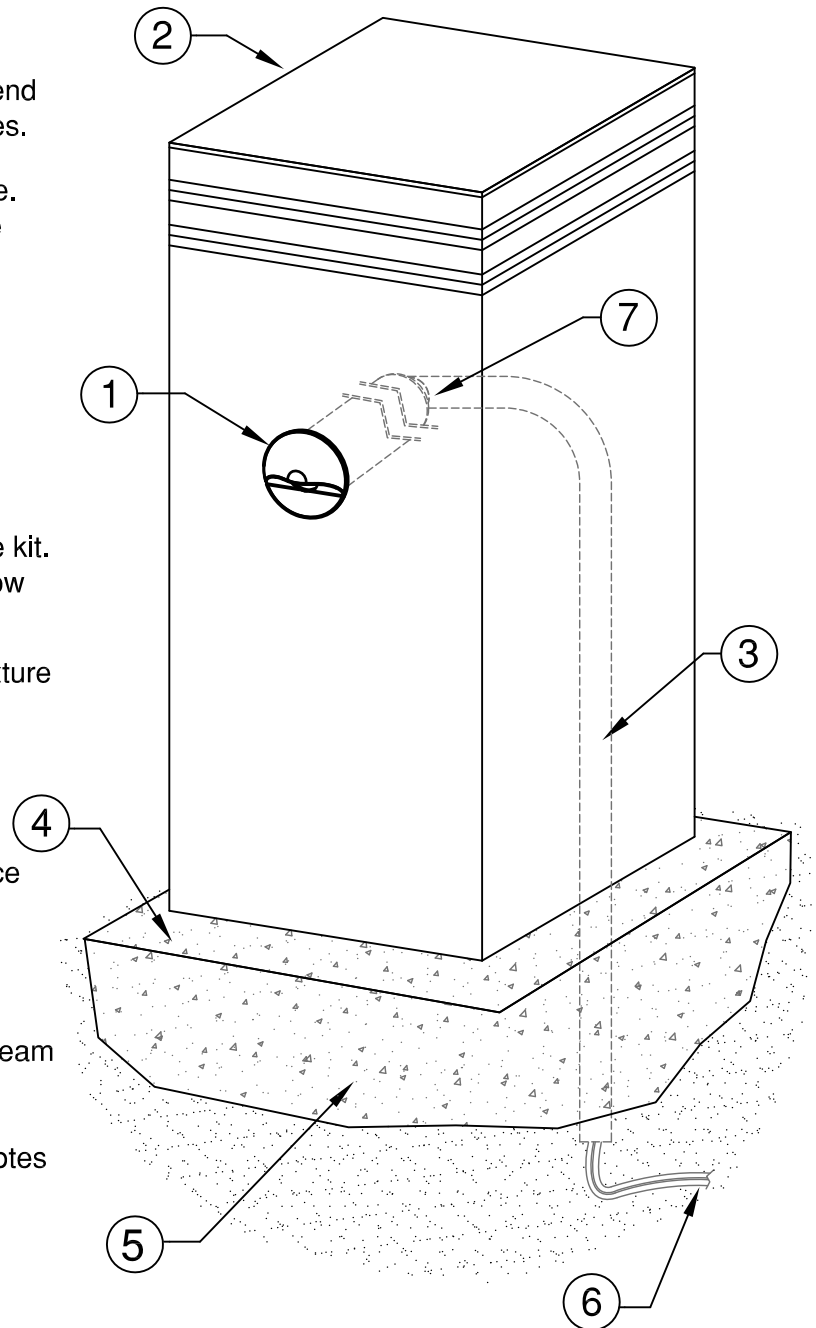
NOT TO SCALE

DETAIL LEGEND

- ① FX Luminaire PO-R fixture. See plan legend for wattage, beam spread and accessories.
- ② Square pedestal/bollard within landscape. See plans and landscape details for type of construction material.
- ③ $\frac{3}{4}$ " electrical conduit per local code.
- ④ Finished grade.
- ⑤ Concrete footing. Depth per local code.
- ⑥ Direct bury, UF/UL, copper, low voltage cable with 3M DBR/Y-6 direct bury splice kit. Leave 18" minimum wire loop coiled below fixture for service.
- ⑦ Use FX provided conduit included with fixture or standard $1\frac{1}{2}$ " conduit.

NOTES

- A. Installation to be completed in accordance with manufacturer's specifications.
- B. Accepts 10-15 volts - AC or DC
- C. See plan legend for LED board option, beam spreads, and accessories.
- D. Always refer to FX product installation notes prior to installation.



PO-R PATH LIGHT

SQUARE PEDESTAL / BOLLARD

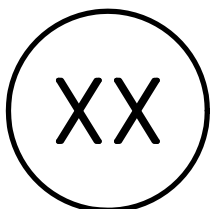
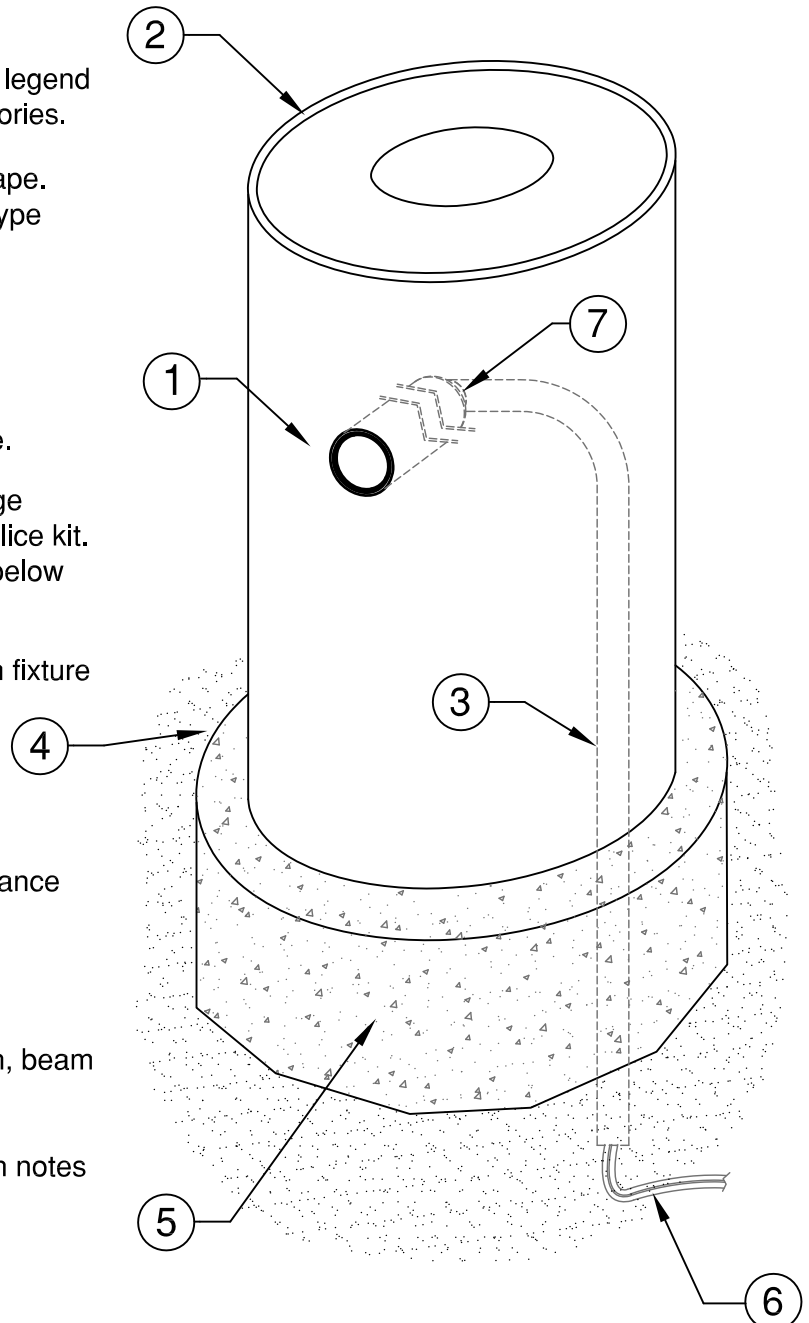
NOT TO SCALE

DETAIL LEGEND

- ① FX Luminaire PO-SL fixture. See plan legend for wattage, beam spread and accessories.
- ② Round pedestal/bollard within landscape. See plans and landscape details for type of construction material.
- ③ $\frac{3}{4}$ " electrical conduit per local code.
- ④ Finished grade.
- ⑤ Concrete footing. Depth per local code.
- ⑥ Direct bury, UF/UL, copper, low voltage cable with 3M DBR/Y-6 direct bury splice kit. Leave 18" minimum wire loop coiled below fixture for service.
- ⑦ Use FX provided conduit included with fixture or standard 1½" conduit.

NOTES

- A. Installation to be completed in accordance with manufacturer's specifications.
- B. Accepts 10-15 volts - AC or DC
- C. See plan legend for LED board option, beam spreads, and accessories.
- D. Always refer to FX product installation notes prior to installation.



PO-SL PATH LIGHT ROUND PEDESTAL / BOLLARD

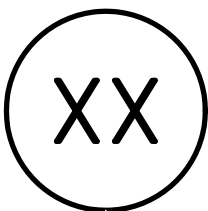
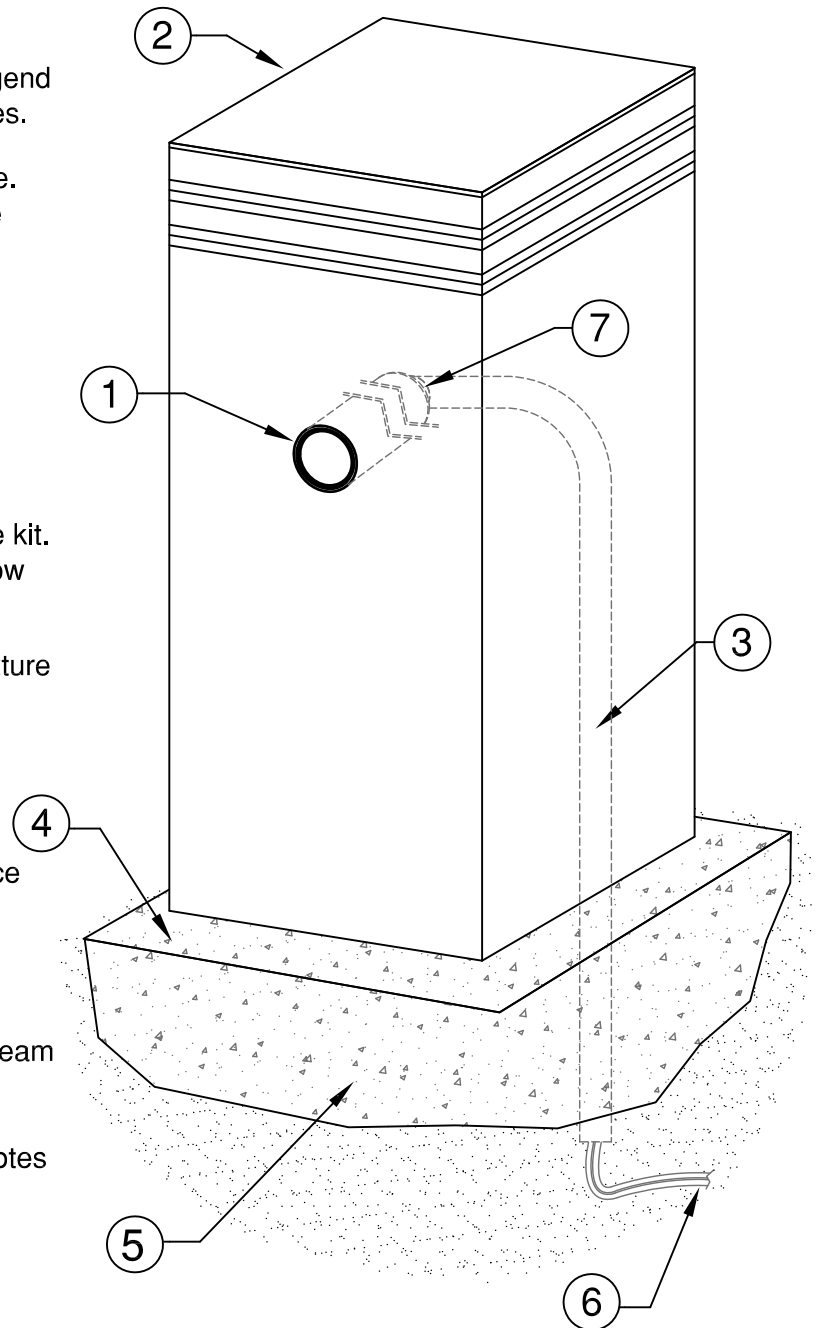
NOT TO SCALE

DETAIL LEGEND

- ① FX Luminaire PO-SL fixture. See plan legend for wattage, beam spread and accessories.
- ② Square pedestal/bollard within landscape. See plans and landscape details for type of construction material.
- ③ $\frac{3}{4}$ " electrical conduit per local code.
- ④ Finished grade.
- ⑤ Concrete footing. Depth per local code.
- ⑥ Direct bury, UF/UL, copper, low voltage cable with 3M DBR/Y-6 direct bury splice kit. Leave 18" minimum wire loop coiled below fixture for service.
- ⑦ Use FX provided conduit included with fixture or standard 1½" conduit.

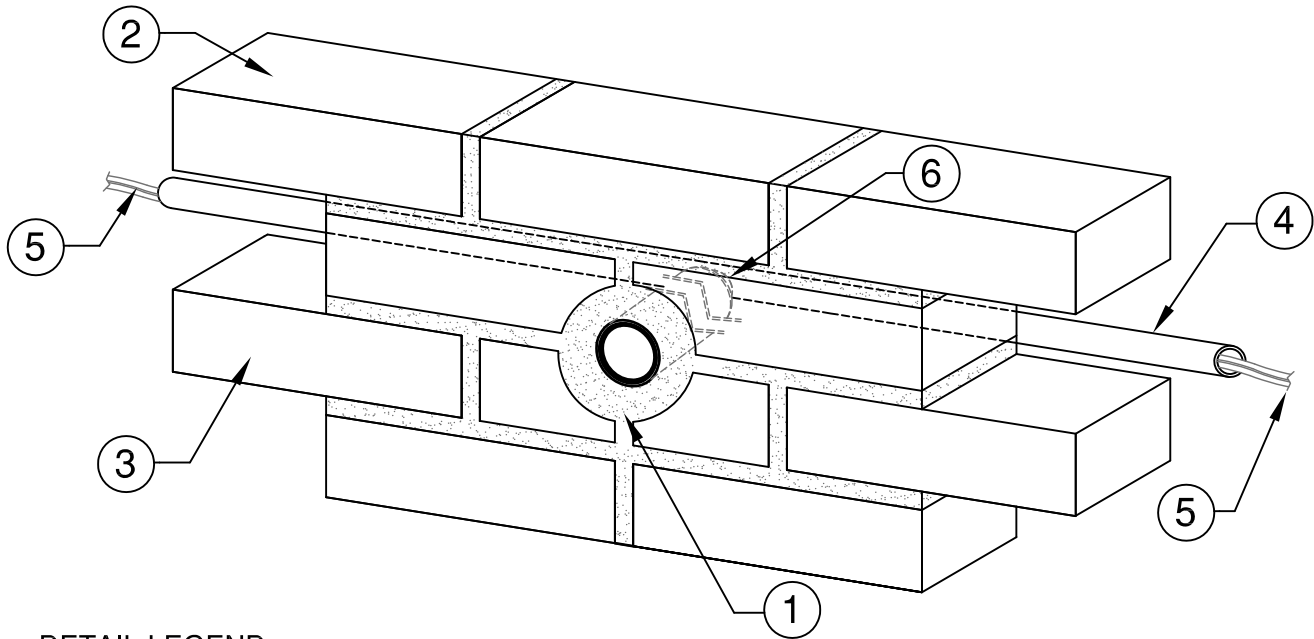
NOTES

- A. Installation to be completed in accordance with manufacturer's specifications.
- B. Accepts 10-15 volts - AC or DC
- C. See plan legend for LED board option, beam spreads, and accessories.
- D. Always refer to FX product installation notes prior to installation.



PO-SL PATH LIGHT SQUARE PEDESTAL / BOLLARD

NOT TO SCALE

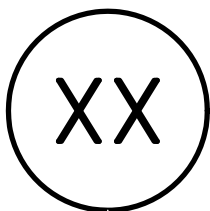


DETAIL LEGEND

- ① FX Luminaire PO-SL fixture. See plan legend for wattage, beam spread and accessories.
- ② Brick wall within landscape. See plans and landscape details for type of construction material.
- ③ Standard 8 x 4 x 2.25 brick
- ④ $\frac{3}{4}$ " electrical conduit per local code.
- ⑤ UF/UL, copper, low voltage cable. Splice wires according to FX recommendations.
- ⑥ Use FX provided conduit included with fixture or standard 1 1/2" conduit.

NOTES

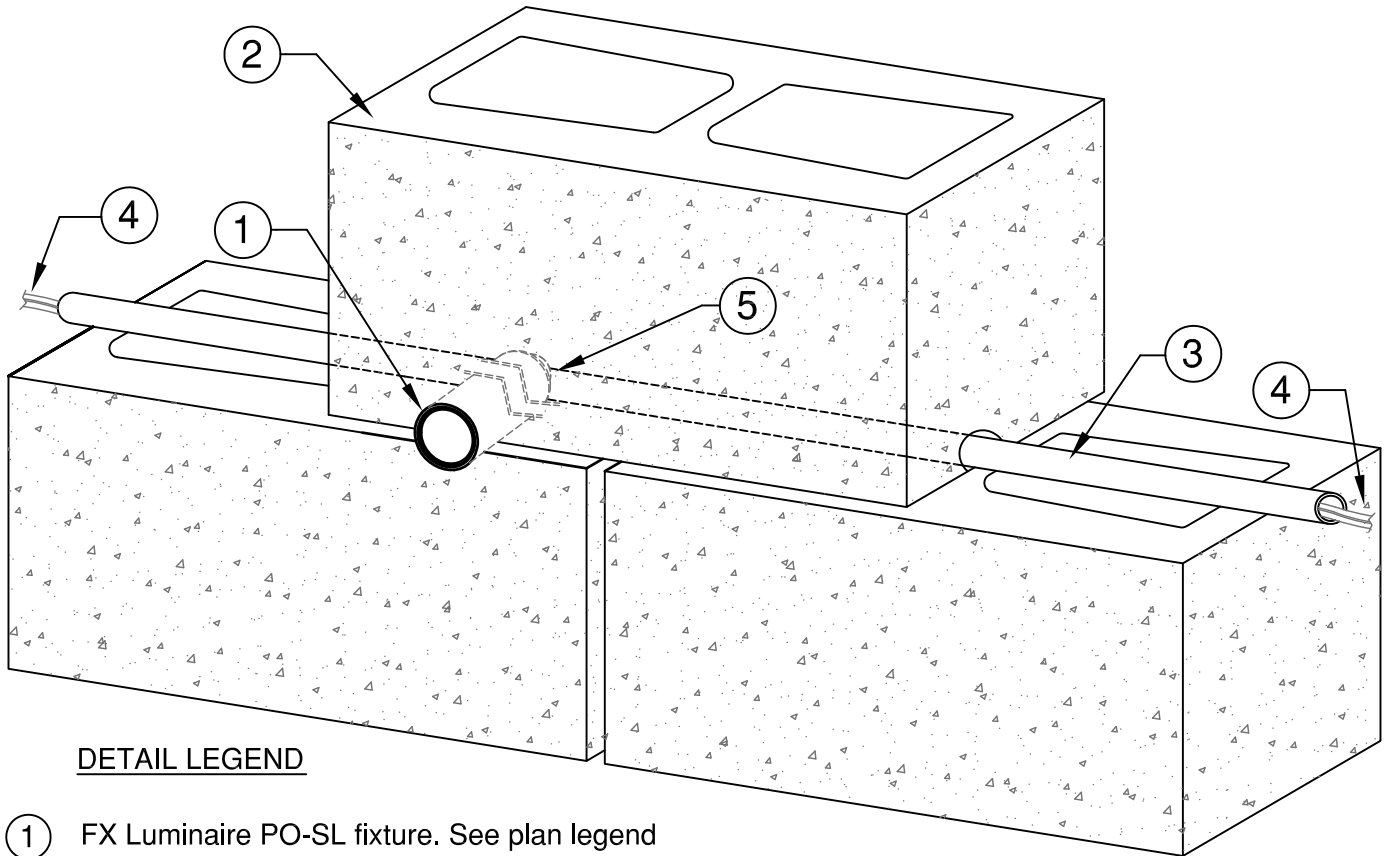
- A. Installation to be completed in accordance with manufacturer's specifications.
- B. Accepts 10-15 volts - AC or DC
- C. See plan legend for LED board option, beam spreads, and accessories.
- D. Always refer to FX product installation notes prior to installation.



PO-SL WALL WASH

BRICK WALL

NOT TO SCALE

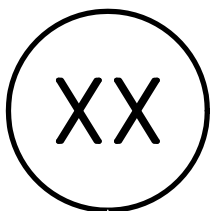


DETAIL LEGEND

- ① FX Luminaire PO-SL fixture. See plan legend for wattage, beam spread and accessories.
- ② Cinder block / stucco wall within landscape. See plans and landscape details for type of construction material.
- ③ $\frac{3}{4}$ " electrical conduit per local code.
- ④ Direct bury, UF/UL, copper, low voltage cable with 3M DBR/Y-6 direct bury splice kit. Leave 18" minimum wire loop coiled below fixture for service.
- ⑤ Use FX provided conduit included with fixture or standard $1\frac{1}{2}$ " conduit.

NOTES

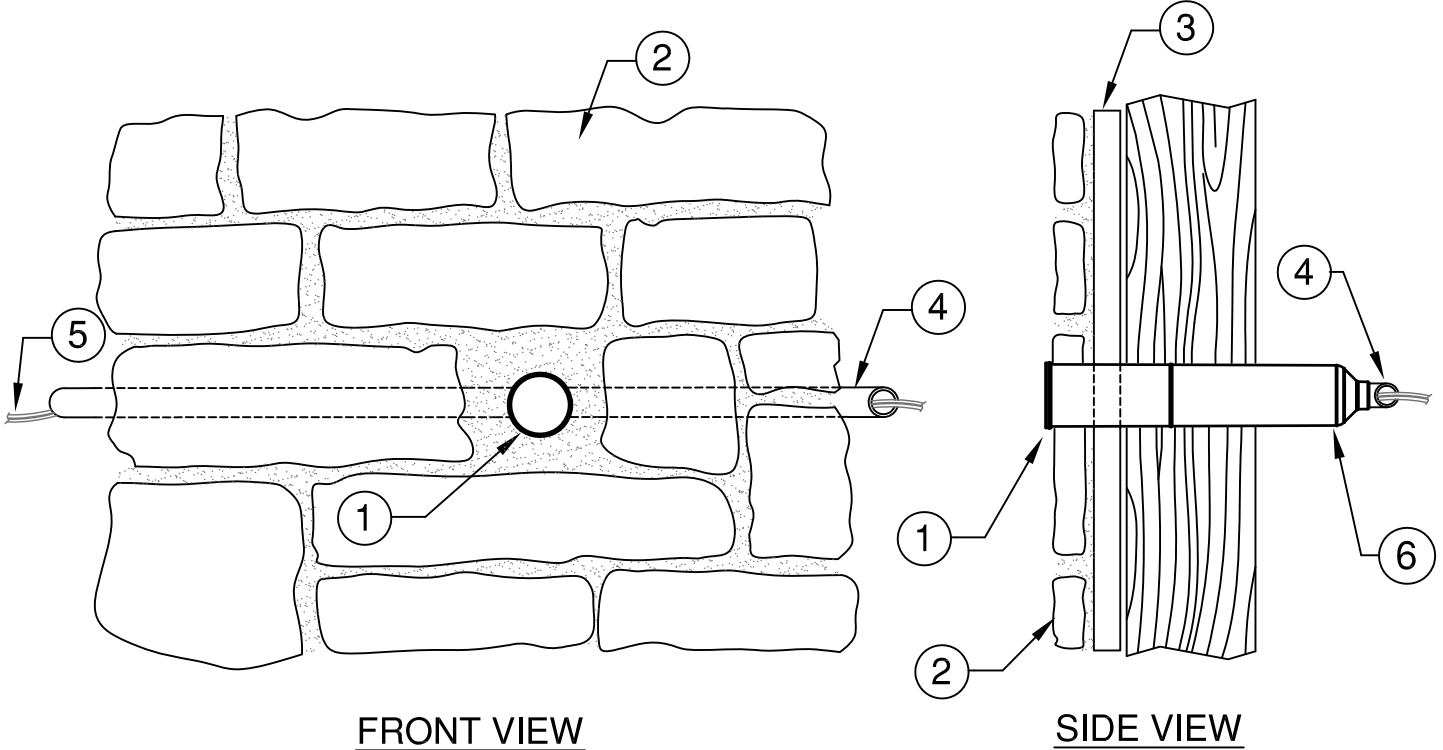
- A. Installation to be completed in accordance with manufacturer's specifications.
- B. Accepts 10-15 volts - AC or DC
- C. See plan legend for LED board option, beam spreads, and accessories.
- D. Always refer to FX product installation notes prior to installation.



PO-SL WALL WASH

CINDER BLOCK / STUCCO WALL

NOT TO SCALE

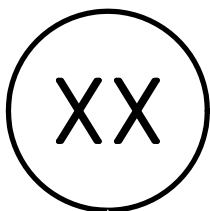


DETAIL LEGEND

- ① FX Luminaire PO-SL fixture. See plan legend for wattage, beam spread and accessories.
- ② Faux stone wall within landscape. See plans and landscape details for type of construction material.
- ③ Stone veneer backing and wall board.
- ④ 3/4" electrical conduit per local code.
- ⑤ UF/UL, copper, low voltage cable. Splice wires according to FX recommendations.
- ⑥ Use FX provided conduit included with fixture or standard 1 1/2" conduit.

NOTES

- A. Installation to be completed in accordance with manufacturer's specifications.
- B. Accepts 10-15 volts - AC or DC
- C. See plan legend for LED board option, beam spreads, and accessories.
- D. Always refer to FX product installation notes prior to installation.



PO-SL WALL WASH

FAUX STONE WALL

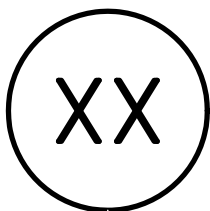
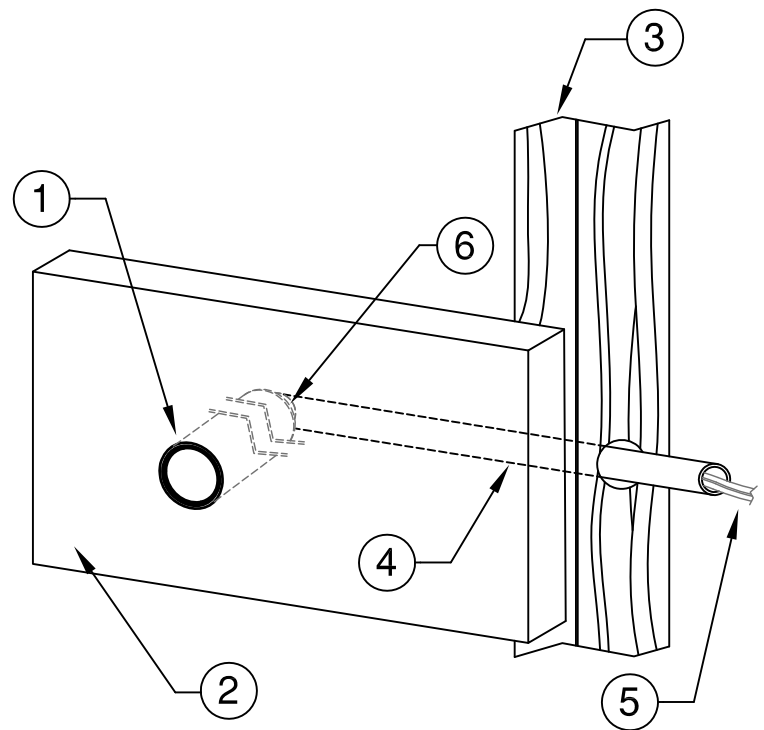
NOT TO SCALE

DETAIL LEGEND

- ① FX Luminaire PO-SL fixture. See plan legend for wattage, beam spread and accessories.
- ② Stucco / drywall wall within landscape. See plans and landscape details for type of construction material.
- ③ 2 X 4 wall stud.
- ④ $\frac{3}{4}$ " electrical conduit per local code.
- ⑤ Direct bury, UF/UL, copper, low voltage cable with 3M DBR/Y-6 direct bury splice kit. Leave 18" minimum wire loop coiled below fixture for service.
- ⑥ Use FX provided conduit included with fixture or standard 1½" conduit.

NOTES

- A. Installation to be completed in accordance with manufacturer's specifications.
- B. Accepts 10-15 volts - AC or DC
- C. See plan legend for LED board option, beam spreads, and accessories.
- D. Always refer to FX product installation notes prior to installation.



PO-SL WALL WASH STUCCO / DRYWALL

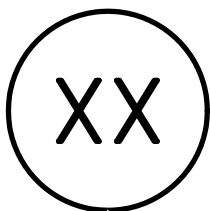
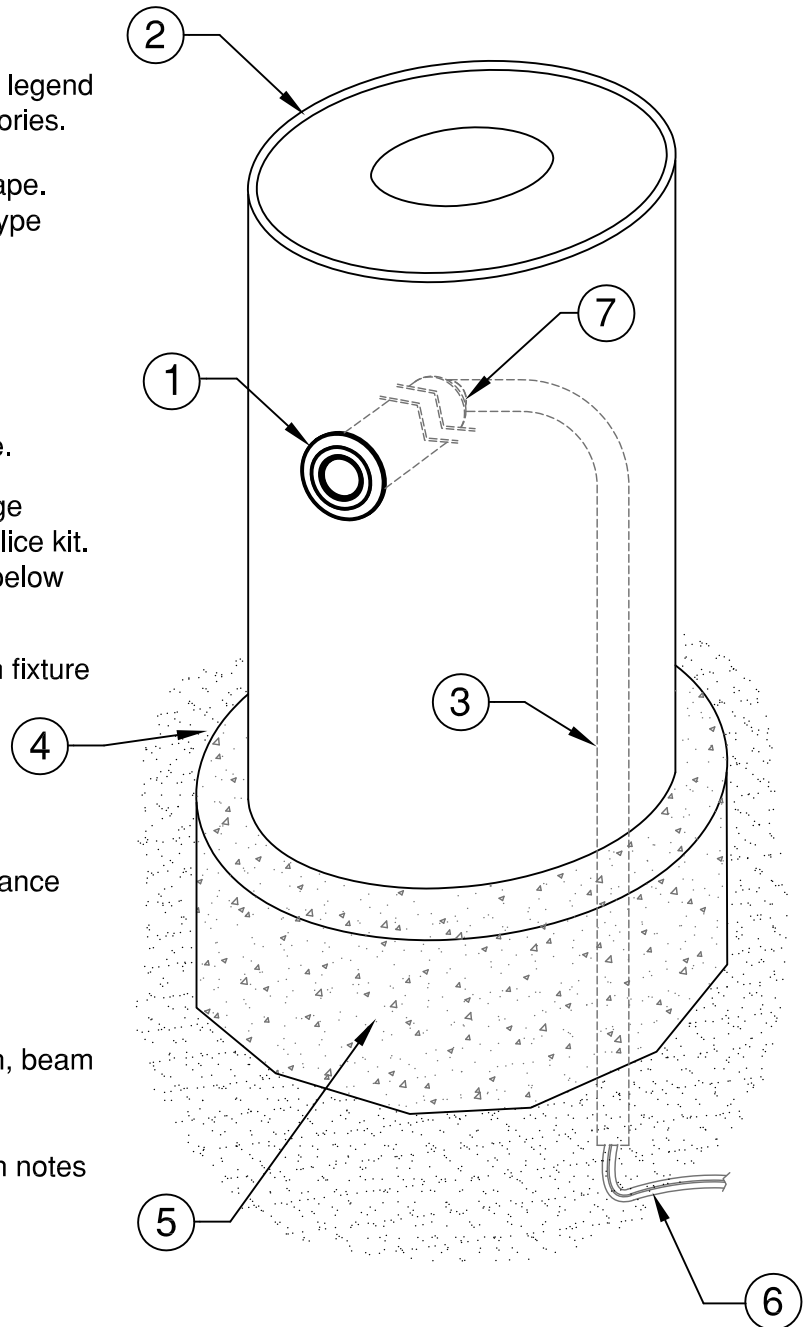
NOT TO SCALE

DETAIL LEGEND

- ① FX Luminaire PO-SP fixture. See plan legend for wattage, beam spread and accessories.
- ② Round pedestal/bollard within landscape. See plans and landscape details for type of construction material.
- ③ $\frac{3}{4}$ " electrical conduit per local code.
- ④ Finished grade.
- ⑤ Concrete footing. Depth per local code.
- ⑥ Direct bury, UF/UL, copper, low voltage cable with 3M DBR/Y-6 direct bury splice kit. Leave 18" minimum wire loop coiled below fixture for service.
- ⑦ Use FX provided conduit included with fixture or standard 1½" conduit.

NOTES

- A. Installation to be completed in accordance with manufacturer's specifications.
- B. Accepts 10-15 volts - AC or DC
- C. See plan legend for LED board option, beam spreads, and accessories.
- D. Always refer to FX product installation notes prior to installation.



PO-SP PATH LIGHT

ROUND PEDESTAL / BOLLARD

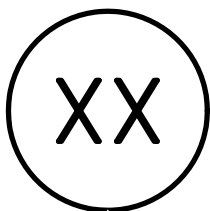
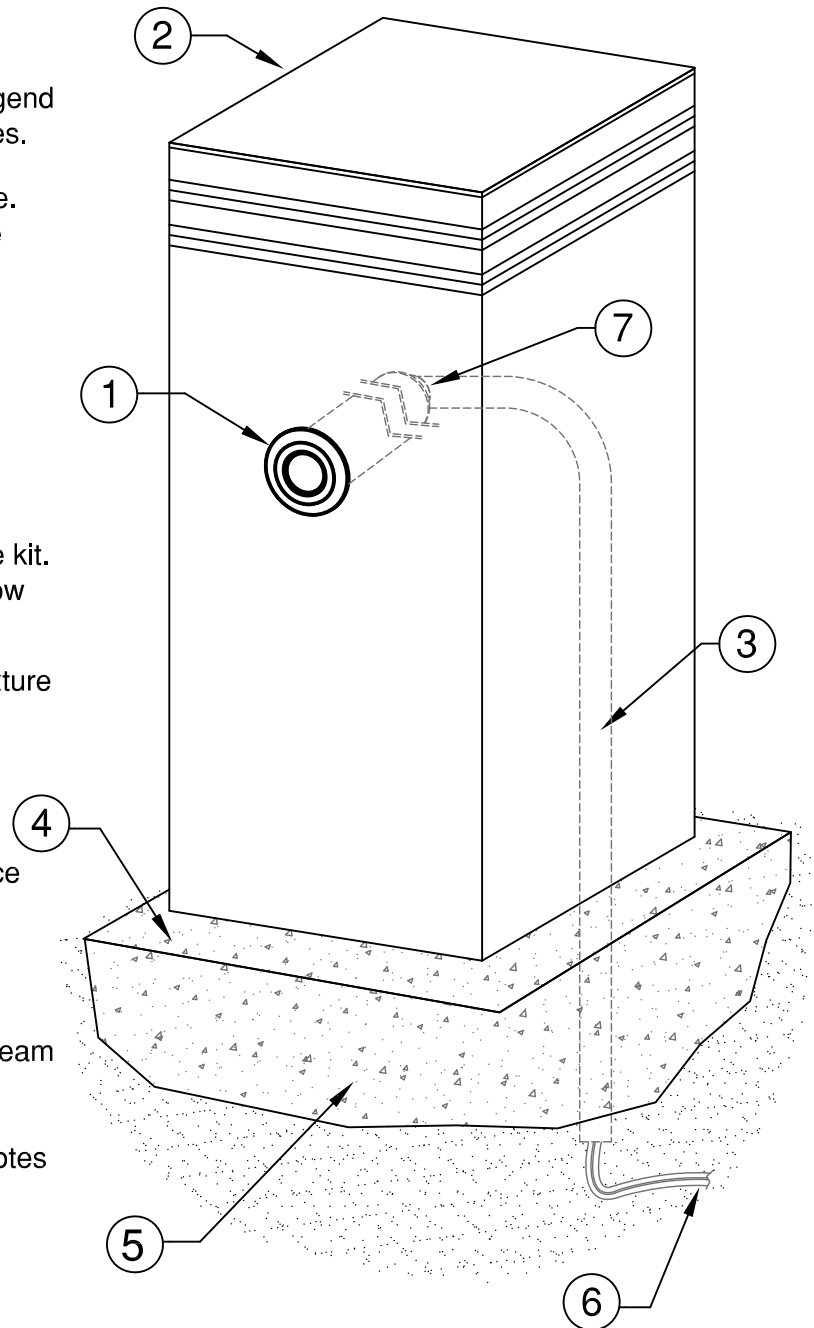
NOT TO SCALE

DETAIL LEGEND

- ① FX Luminaire PO-SP fixture. See plan legend for wattage, beam spread and accessories.
- ② Square pedestal/bollard within landscape. See plans and landscape details for type of construction material.
- ③ $\frac{3}{4}$ " electrical conduit per local code.
- ④ Finished grade.
- ⑤ Concrete footing. Depth per local code.
- ⑥ Direct bury, UF/UL, copper, low voltage cable with 3M DBR/Y-6 direct bury splice kit. Leave 18" minimum wire loop coiled below fixture for service.
- ⑦ Use FX provided conduit included with fixture or standard 1½" conduit.

NOTES

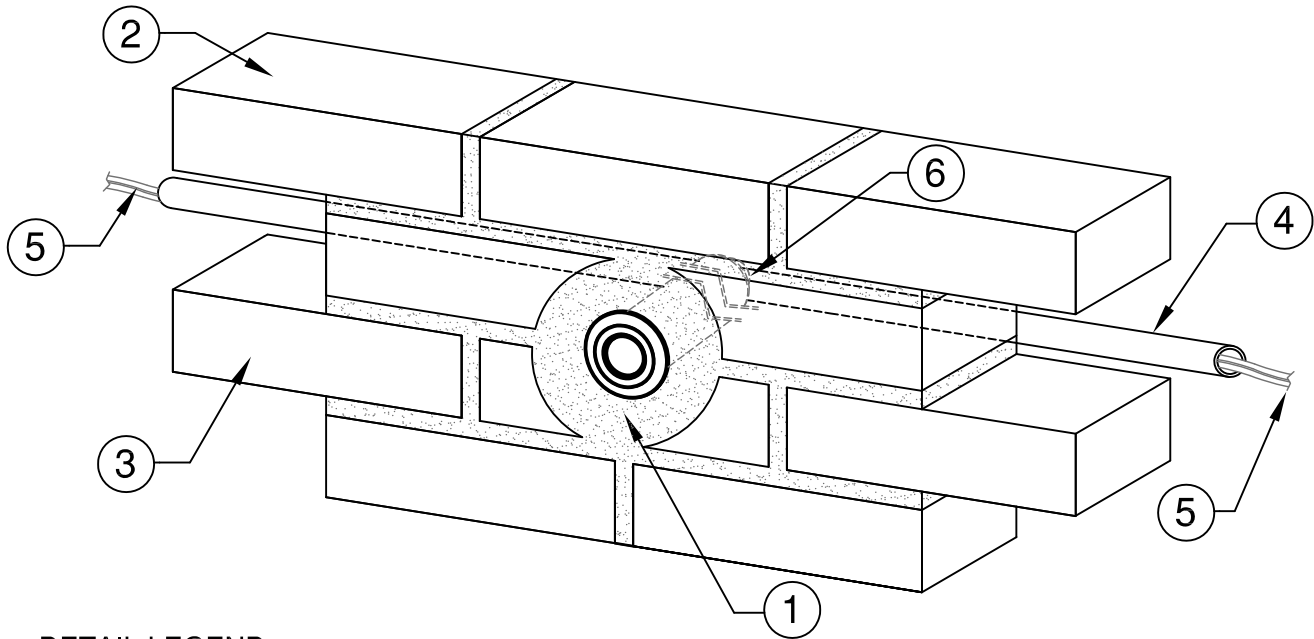
- A. Installation to be completed in accordance with manufacturer's specifications.
- B. Accepts 10-15 volts - AC or DC
- C. See plan legend for LED board option, beam spreads, and accessories.
- D. Always refer to FX product installation notes prior to installation.



PO-SP PATH LIGHT

SQUARE PEDESTAL / BOLLARD

NOT TO SCALE

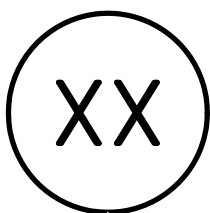


DETAIL LEGEND

- ① FX Luminaire PO-SP fixture. See plan legend for wattage, beam spread and accessories.
- ② Brick wall within landscape. See plans and landscape details for type of construction material.
- ③ Standard 8 x 4 x 2.25 brick
- ④ $\frac{3}{4}$ " electrical conduit per local code.
- ⑤ UF/UL, copper, low voltage cable. Splice wires according to FX recommendations.
- ⑥ Use FX provided conduit included with fixture or standard 1½" conduit.

NOTES

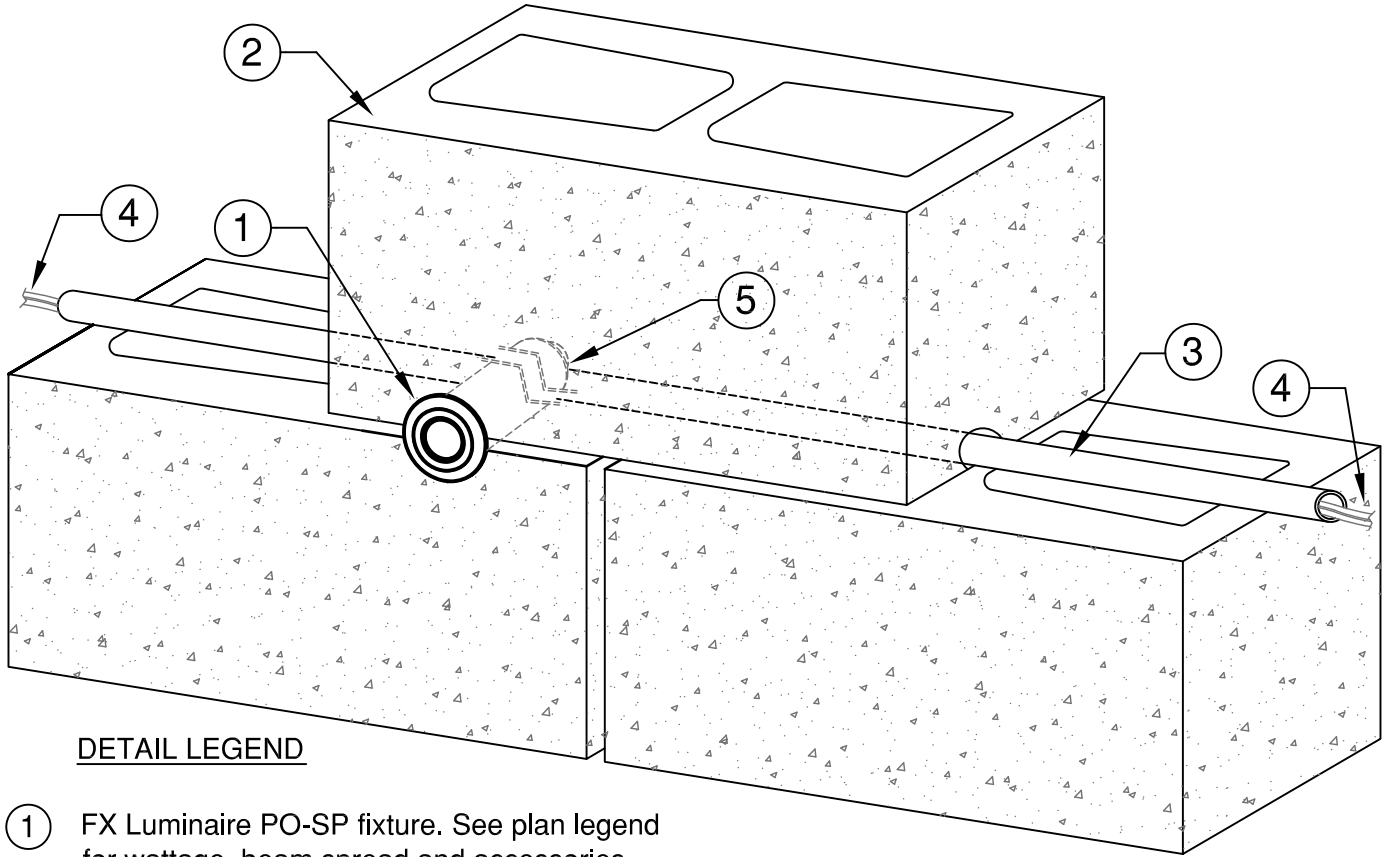
- A. Installation to be completed in accordance with manufacturer's specifications.
- B. Accepts 10-15 volts - AC or DC
- C. See plan legend for LED board option, beam spreads, and accessories.
- D. Always refer to FX product installation notes prior to installation.



PO-SP WALL WASH

BRICK WALL

NOT TO SCALE

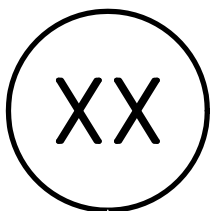


DETAIL LEGEND

- ① FX Luminaire PO-SP fixture. See plan legend for wattage, beam spread and accessories.
- ② Cinder block / stucco wall within landscape. See plans and landscape details for type of construction material.
- ③ 3/4" electrical conduit per local code.
- ④ Direct bury, UF/UL, copper, low voltage cable with 3M DBR/Y-6 direct bury splice kit. Leave 18" minimum wire loop coiled below fixture for service.
- ⑤ Use FX provided conduit included with fixture or standard 1 1/2" conduit.

NOTES

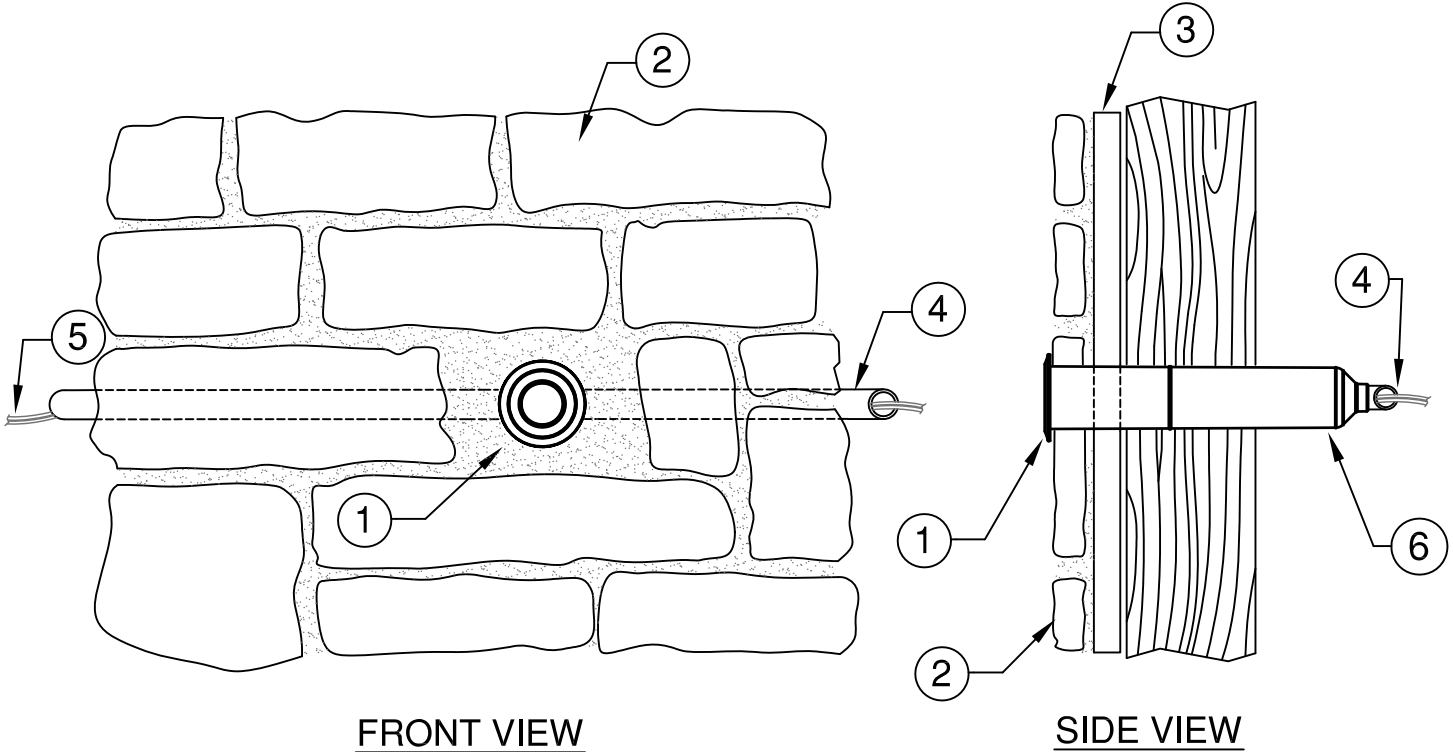
- A. Installation to be completed in accordance with manufacturer's specifications.
- B. Accepts 10-15 volts - AC or DC
- C. See plan legend for LED board option, beam spreads, and accessories.
- D. Always refer to FX product installation notes prior to installation.



PO-SP WALL WASH

CINDER BLOCK / STUCCO WALL

NOT TO SCALE

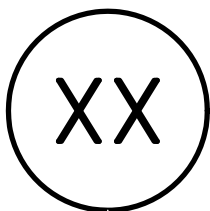


DETAIL LEGEND

- ① FX Luminaire PO-SP fixture. See plan legend for wattage, beam spread and accessories.
- ② Faux stone wall within landscape. See plans and landscape details for type of construction material.
- ③ Stone veneer backing and wall board.
- ④ 3/4" electrical conduit per local code.
- ⑤ UF/UL, copper, low voltage cable. Splice wires according to FX recommendations.
- ⑥ Use FX provided conduit included with fixture or standard 1 1/2" conduit.

NOTES

- A. Installation to be completed in accordance with manufacturer's specifications.
- B. Accepts 10-15 volts - AC or DC
- C. See plan legend for LED board option, beam spreads, and accessories.
- D. Always refer to FX product installation notes prior to installation.



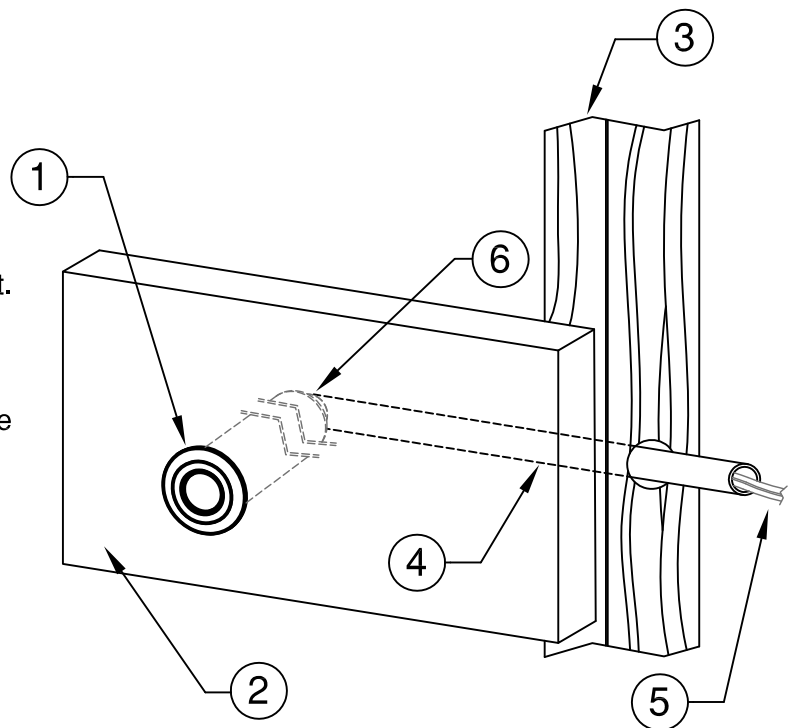
PO-SP WALL WASH

FAUX STONE WALL

NOT TO SCALE

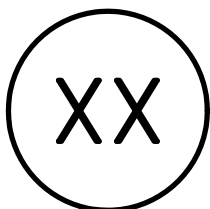
DETAIL LEGEND

- ① FX Luminaire PO-SP fixture. See plan legend for wattage, beam spread and accessories.
- ② Stucco / drywall wall within landscape. See plans and landscape details for type of construction material.
- ③ 2 X 4 wall stud.
- ④ ¾" electrical conduit per local code.
- ⑤ Direct bury, UF/UL, copper, low voltage cable with 3M DBR/Y-6 direct bury splice kit. Leave 18" minimum wire loop coiled below fixture for service.
- ⑥ Use FX provided conduit included with fixture or standard 1½" conduit.



NOTES

- A. Installation to be completed in accordance with manufacturer's specifications.
- B. Accepts 10-15 volts - AC or DC
- C. See plan legend for LED board option, beam spreads, and accessories.
- D. Always refer to FX product installation notes prior to installation.



PO-SP WALL WASH STUCCO / DRYWALL

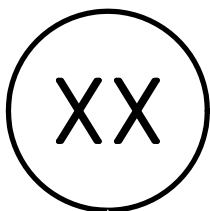
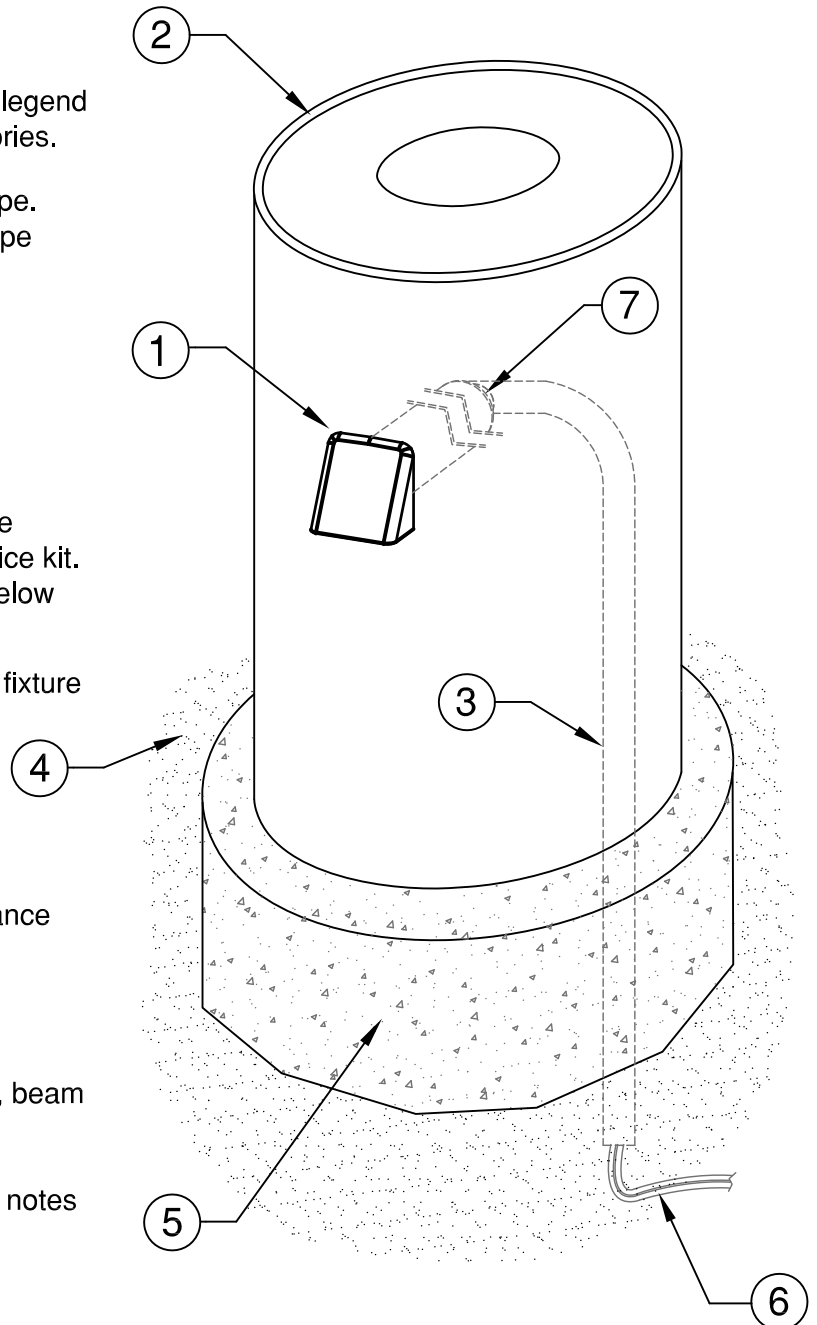
NOT TO SCALE

DETAIL LEGEND

- ① FX Luminaire PO-SQ fixture. See plan legend for wattage, beam spread and accessories.
- ② Round pedestal/bollard within landscape. See plans and landscape details for type of construction material.
- ③ $\frac{3}{4}$ " electrical conduit per local code.
- ④ Finished grade.
- ⑤ Concrete footing. Depth per local code.
- ⑥ Direct bury, UF/UL, copper, low voltage cable with 3M DBR/Y-6 direct bury splice kit. Leave 18" minimum wire loop coiled below fixture for service.
- ⑦ Use FX provided conduit included with fixture or standard 1½" conduit.

NOTES

- A. Installation to be completed in accordance with manufacturer's specifications.
- B. Accepts 10-15 volts - AC or DC
- C. See plan legend for LED board option, beam spreads, and accessories.
- D. Always refer to FX product installation notes prior to installation.



PO-SQ PATH LIGHT

ROUND PEDESTAL / BOLLARD

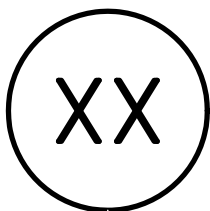
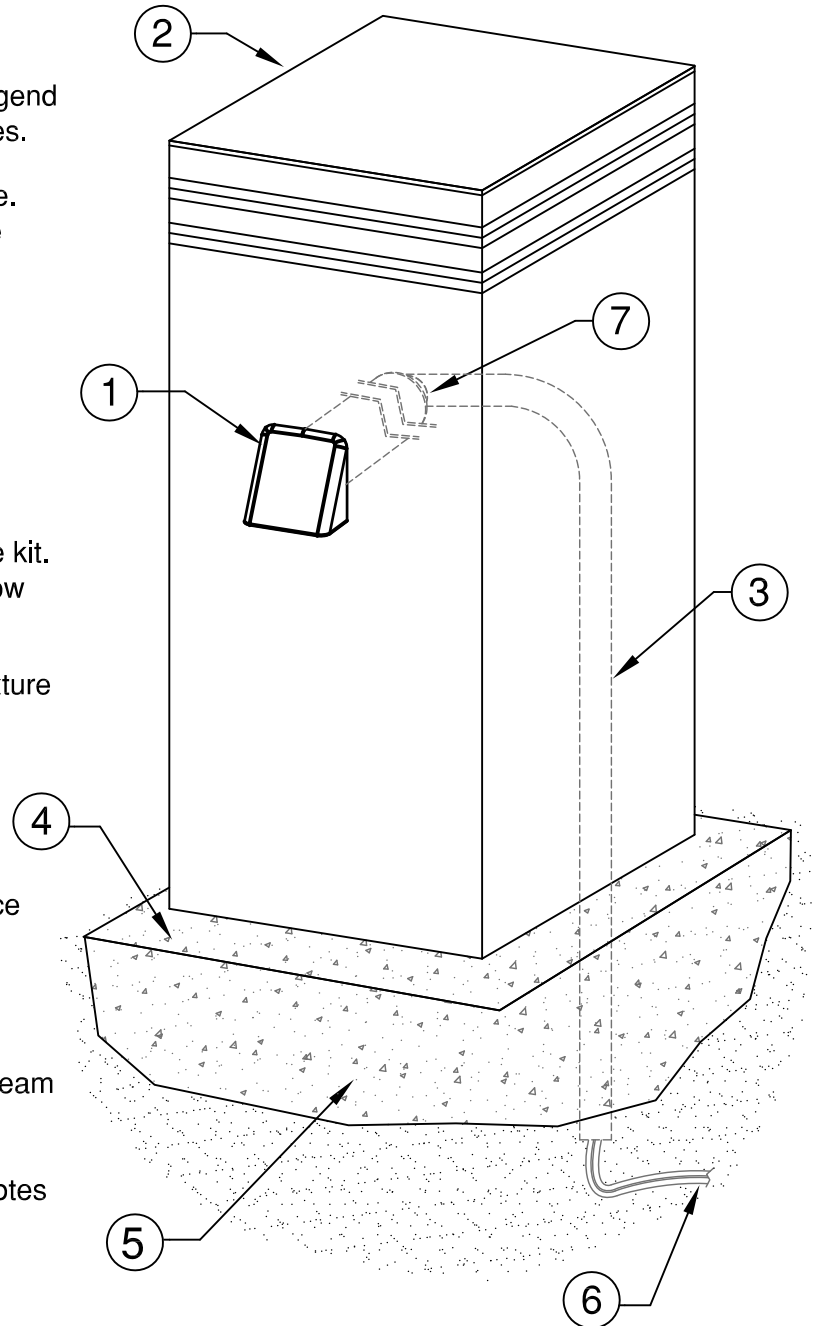
NOT TO SCALE

DETAIL LEGEND

- ① FX Luminaire PO-SQ fixture. See plan legend for wattage, beam spread and accessories.
- ② Square pedestal/bollard within landscape. See plans and landscape details for type of construction material.
- ③ $\frac{3}{4}$ " electrical conduit per local code.
- ④ Finished grade.
- ⑤ Concrete footing. Depth per local code.
- ⑥ Direct bury, UF/UL, copper, low voltage cable with 3M DBR/Y-6 direct bury splice kit. Leave 18" minimum wire loop coiled below fixture for service.
- ⑦ Use FX provided conduit included with fixture or standard 1½" conduit.

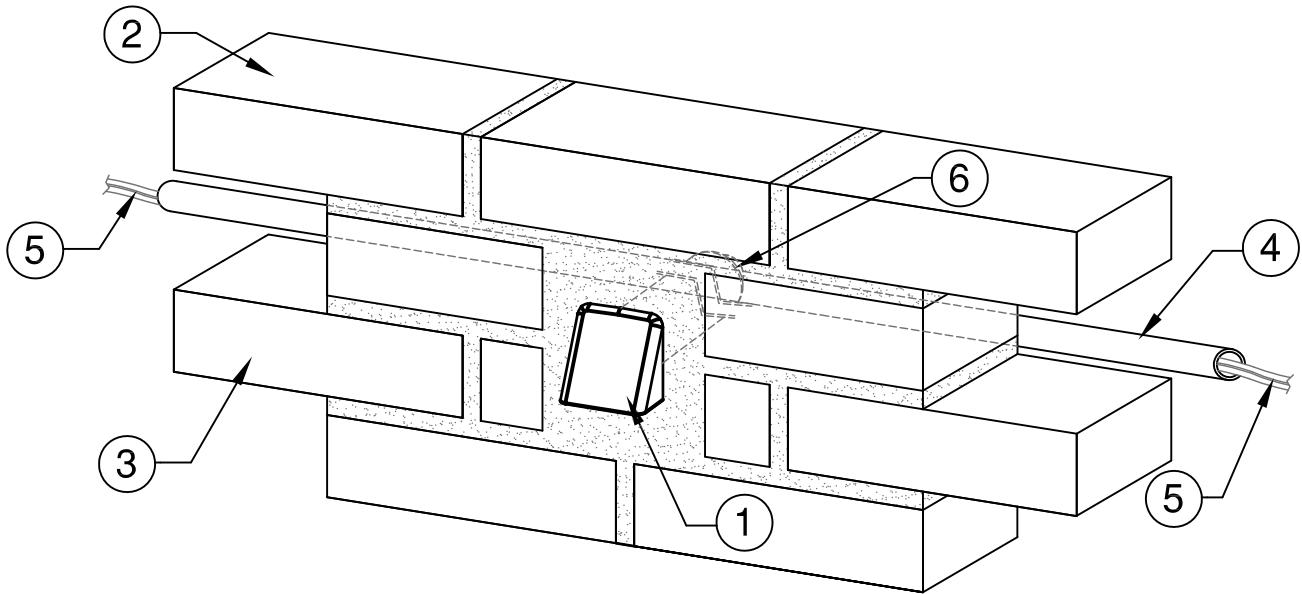
NOTES

- A. Installation to be completed in accordance with manufacturer's specifications.
- B. Accepts 10-15 volts - AC or DC
- C. See plan legend for LED board option, beam spreads, and accessories.
- D. Always refer to FX product installation notes prior to installation.



PO-SQ PATH LIGHT SQUARE PEDESTAL / BOLLARD

NOT TO SCALE

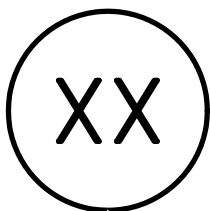


DETAIL LEGEND

- ① FX Luminaire PO-SQ fixture. See plan legend for wattage, beam spread and accessories.
- ② Brick wall within landscape. See plans and landscape details for type of construction material.
- ③ Standard 8 x 4 x 2.25 brick
- ④ $\frac{3}{4}$ " electrical conduit per local code.
- ⑤ UF/UL, copper, low voltage cable. Splice wires according to FX recommendations.
- ⑥ Use FX provided conduit included with fixture or standard 1½" conduit.

NOTES

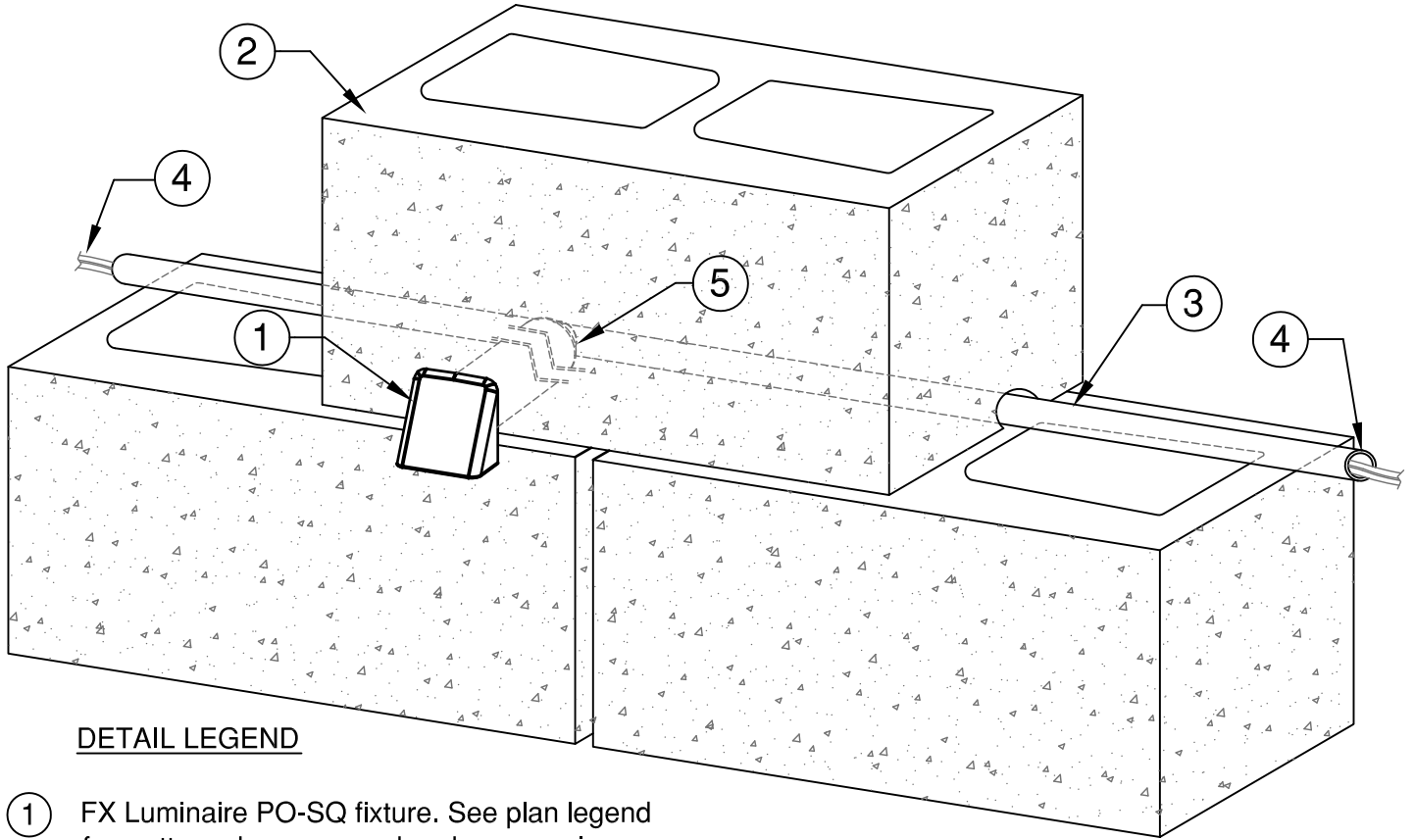
- A. Installation to be completed in accordance with manufacturer's specifications.
- B. Accepts 10-15 volts - AC or DC
- C. See plan legend for LED board option, beam spreads, and accessories.
- D. Always refer to FX product installation notes prior to installation.



PO-SQ WALL WASH

BRICK WALL

NOT TO SCALE

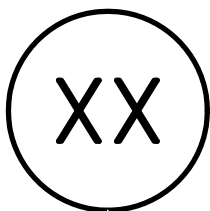


DETAIL LEGEND

- ① FX Luminaire PO-SQ fixture. See plan legend for wattage, beam spread and accessories.
- ② Cinder block / stucco wall within landscape. See plans and landscape details for type of construction material.
- ③ 3/4" electrical conduit per local code.
- ④ Direct bury, UF/UL, copper, low voltage cable with 3M DBR/Y-6 direct bury splice kit. Leave 18" minimum wire loop coiled below fixture for service.
- ⑤ Use FX provided conduit included with fixture or standard 1 1/2" conduit.

NOTES

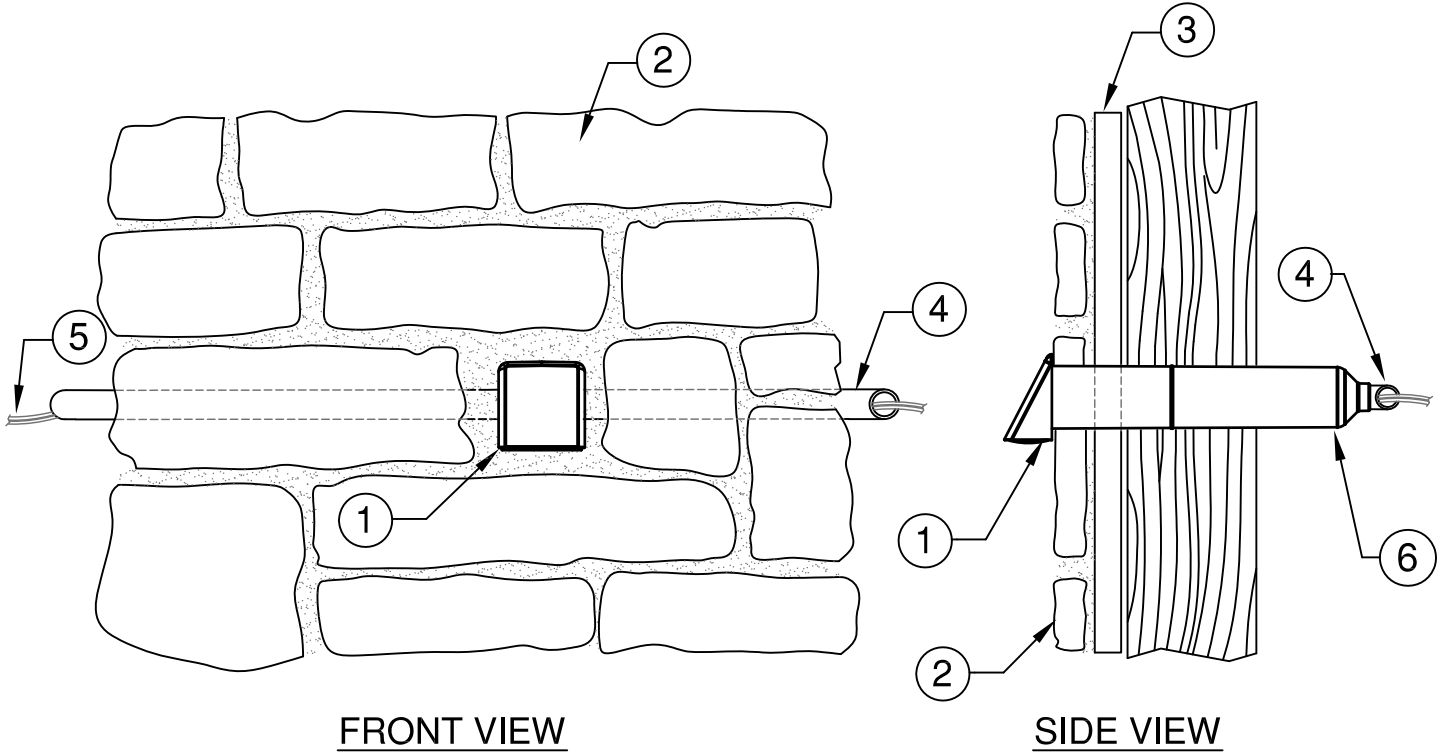
- A. Installation to be completed in accordance with manufacturer's specifications.
- B. Accepts 10-15 volts - AC or DC
- C. See plan legend for LED board option, beam spreads, and accessories.
- D. Always refer to FX product installation notes prior to installation.



PO-SQ WALL WASH

CINDER BLOCK / STUCCO WALL

NOT TO SCALE

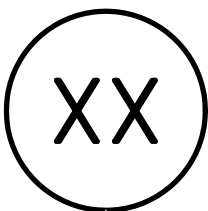


DETAIL LEGEND

- ① FX Luminaire PO-SQ fixture. See plan legend for wattage, beam spread and accessories.
- ② Faux stone wall within landscape. See plans and landscape details for type of construction material.
- ③ Stone veneer backing and wall board.
- ④ 3/4" electrical conduit per local code.
- ⑤ UF/UL, copper, low voltage cable. Splice wires according to FX recommendations.
- ⑥ Use FX provided conduit included with fixture or standard 1 1/2" conduit.

NOTES

- A. Installation to be completed in accordance with manufacturer's specifications.
- B. Accepts 10-15 volts - AC or DC
- C. See plan legend for LED board option, beam spreads, and accessories.
- D. Always refer to FX product installation notes prior to installation.



PO-SQ WALL WASH

FAUX STONE WALL

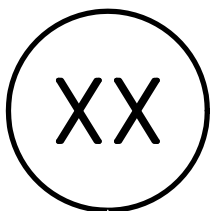
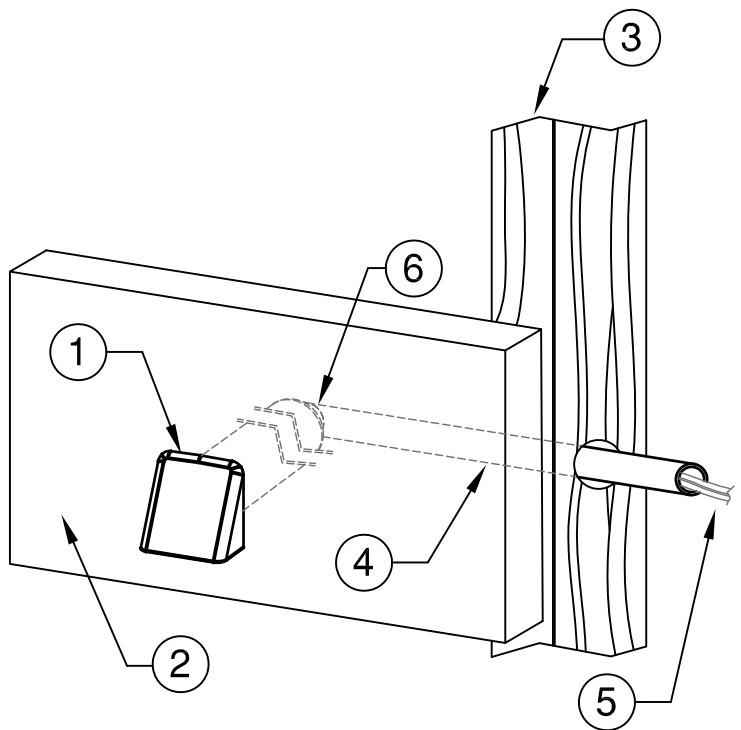
NOT TO SCALE

DETAIL LEGEND

- ① FX Luminaire PO-SQ fixture. See plan legend for wattage, beam spread and accessories.
- ② Stucco / drywall wall within landscape. See plans and landscape details for type of construction material.
- ③ 2 X 4 wall stud.
- ④ $\frac{3}{4}$ " electrical conduit per local code.
- ⑤ Direct bury, UF/UL, copper, low voltage cable with 3M DBR/Y-6 direct bury splice kit. Leave 18" minimum wire loop coiled below fixture for service.
- ⑥ Use FX provided conduit included with fixture or standard 1½" conduit.

NOTES

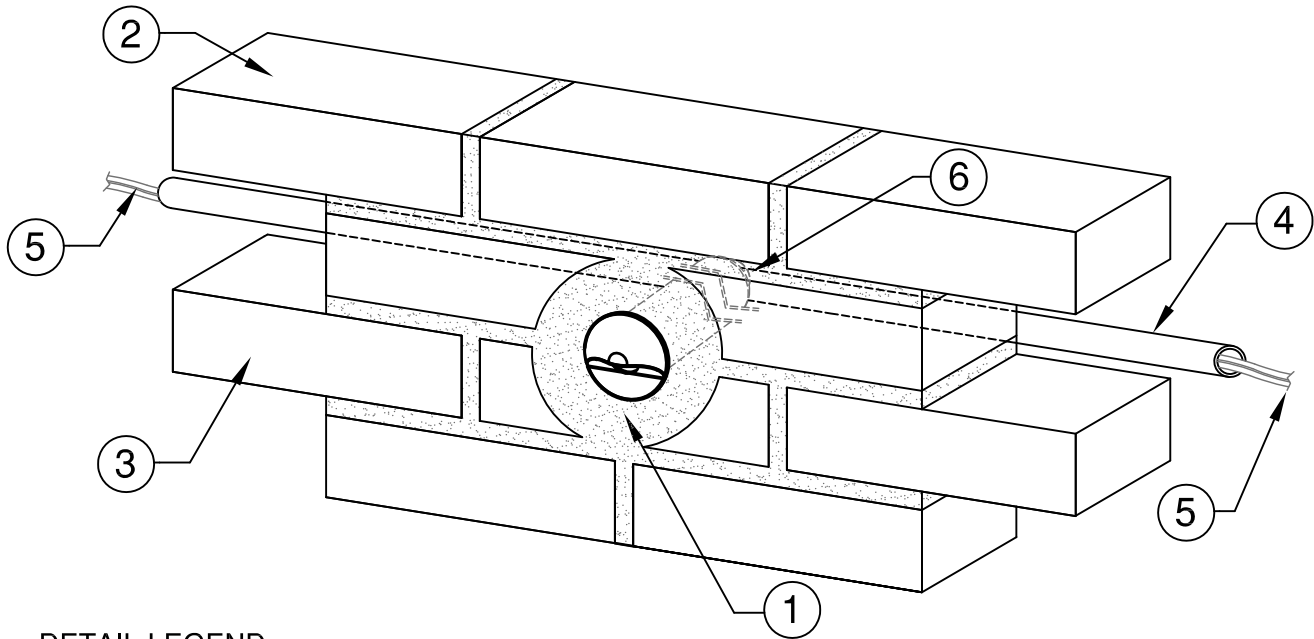
- A. Installation to be completed in accordance with manufacturer's specifications.
- B. Accepts 10-15 volts - AC or DC
- C. See plan legend for LED board option, beam spreads, and accessories.
- D. Always refer to FX product installation notes prior to installation.



PO-SQ WALL WASH

STUCCO / DRYWALL

NOT TO SCALE

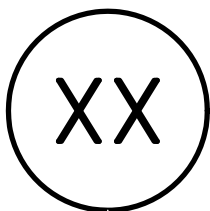


DETAIL LEGEND

- ① FX Luminaire PO-R fixture. See plan legend for wattage, beam spread and accessories.
- ② Brick wall within landscape. See plans and landscape details for type of construction material.
- ③ Standard 8 x 4 x 2.25 brick
- ④ $\frac{3}{4}$ " electrical conduit per local code.
- ⑤ UF/UL, copper, low voltage cable. Splice wires according to FX recommendations.
- ⑥ Use FX provided conduit included with fixture or standard 1½" conduit.

NOTES

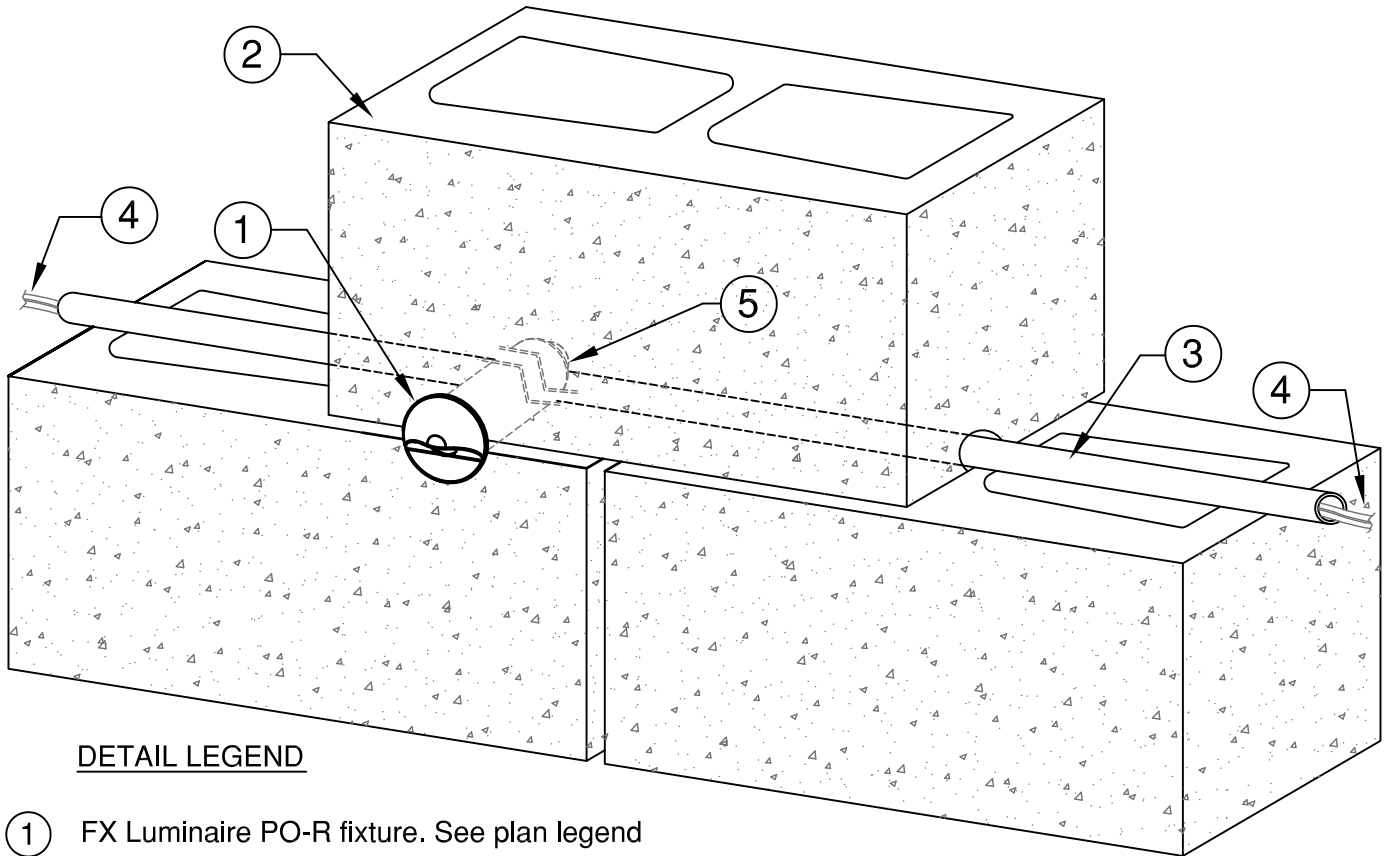
- A. Installation to be completed in accordance with manufacturer's specifications.
- B. Accepts 10-15 volts - AC or DC
- C. See plan legend for LED board option, beam spreads, and accessories.
- D. Always refer to FX product installation notes prior to installation.



PO-R WALL WASH

BRICK WALL

NOT TO SCALE

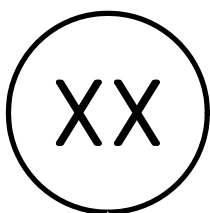


DETAIL LEGEND

- ① FX Luminaire PO-R fixture. See plan legend for wattage, beam spread and accessories.
- ② Cinder block / stucco wall within landscape. See plans and landscape details for type of construction material.
- ③ $\frac{3}{4}$ " electrical conduit per local code.
- ④ Direct bury, UF/UL, copper, low voltage cable with 3M DBR/Y-6 direct bury splice kit. Leave 18" minimum wire loop coiled below fixture for service.
- ⑤ Use FX provided conduit included with fixture or standard $1\frac{1}{2}$ " conduit.

NOTES

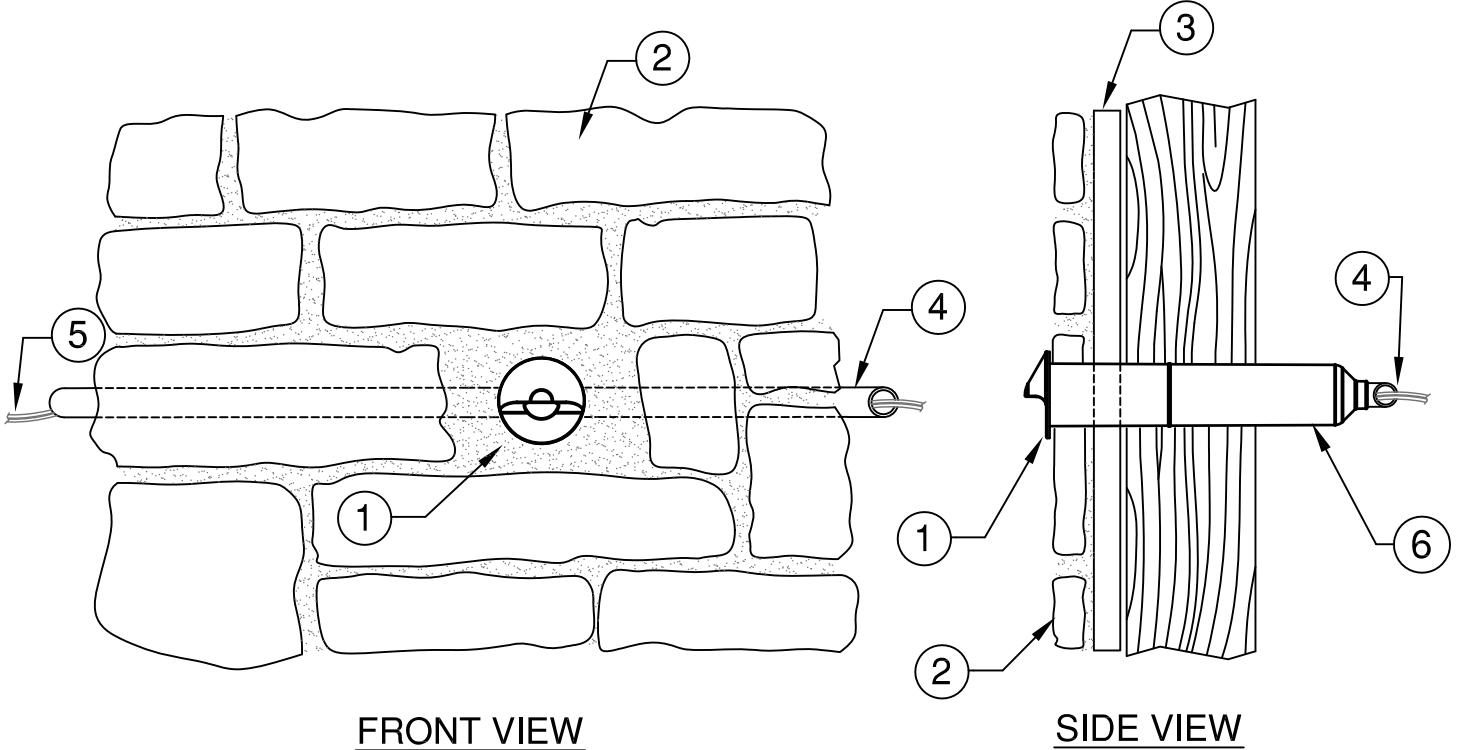
- A. Installation to be completed in accordance with manufacturer's specifications.
- B. Accepts 10-15 volts - AC or DC
- C. See plan legend for LED board option, beam spreads, and accessories.
- D. Always refer to FX product installation notes prior to installation.



PO-R WALL WASH

CINDER BLOCK / STUCCO WALL

NOT TO SCALE

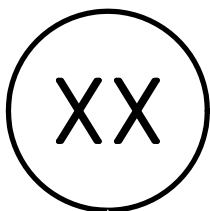


DETAIL LEGEND

- ① FX Luminaire PO-R fixture. See plan legend for wattage, beam spread and accessories.
- ② Faux stone wall within landscape. See plans and landscape details for type of construction material.
- ③ Stone veneer backing and wall board.
- ④ 3/4" electrical conduit per local code.
- ⑤ UF/UL, copper, low voltage cable. Splice wires according to FX recommendations.
- ⑥ Use FX provided conduit included with fixture or standard 1 1/2" conduit.

NOTES

- A. Installation to be completed in accordance with manufacturer's specifications.
- B. Accepts 10-15 volts - AC or DC
- C. See plan legend for LED board option, beam spreads, and accessories.
- D. Always refer to FX product installation notes prior to installation.



PO-R WALL WASH FAUX STONE WALL

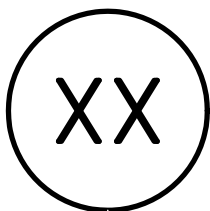
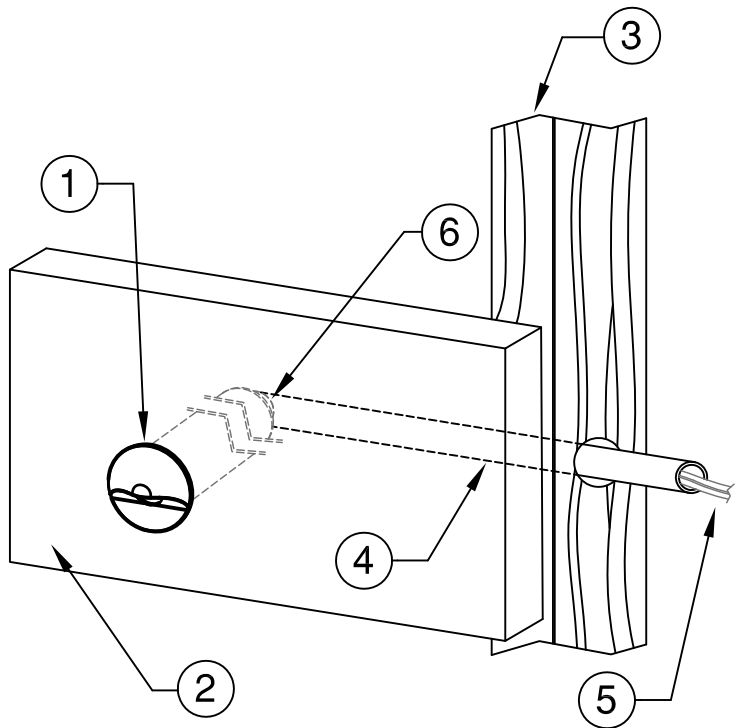
NOT TO SCALE

DETAIL LEGEND

- ① FX Luminaire PO-R fixture. See plan legend for wattage, beam spread and accessories.
- ② Stucco / drywall wall within landscape. See plans and landscape details for type of construction material.
- ③ 2 X 4 wall stud.
- ④ $\frac{3}{4}$ " electrical conduit per local code.
- ⑤ Direct bury, UF/UL, copper, low voltage cable with 3M DBR/Y-6 direct bury splice kit. Leave 18" minimum wire loop coiled below fixture for service.
- ⑥ Use FX provided conduit included with fixture or standard 1½" conduit.

NOTES

- A. Installation to be completed in accordance with manufacturer's specifications.
- B. Accepts 10-15 volts - AC or DC
- C. See plan legend for LED board option, beam spreads, and accessories.
- D. Always refer to FX product installation notes prior to installation.



PO-R WALL WASH STUCCO / DRYWALL

NOT TO SCALE