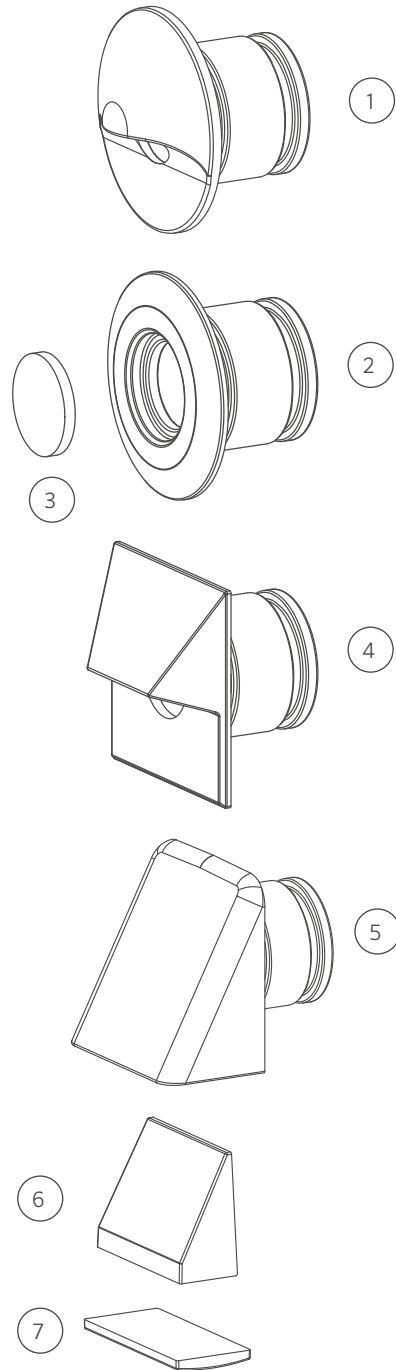


PO LED

ITEM	DESCRIPTION	CATALOG #
1	Faceplate, Round (RO)	-
2	Faceplate, Spot (ST)	-
3	Frosted Lens	-
4	Faceplate, Square (SQ)	-
5	Faceplate, Wash (WW)	-
6	Reflector	-
7	Lens, Wall Wash Only	-
8	Sleeve	250018590000
9	Body	-
10	O-Ring	250010280005
11	Socket, 3-meter	-
12	LED Board	See LED chart
13	Screw, 4-40 x 3/8	762400
14	Color Filter	See LED chart
15	O-Ring	250010280016
1, 3, 15	Round Faceplate Assembly	PORDFPXX*
2-3, 15	Spot Faceplate Assembly	POSTFPXX*
3-4, 15	Square Faceplate Assembly	POSQFPXX*
5-7, 15	Wall Wash Faceplate Assembly	POWWFPXX*

*XX = finish color code for faceplate



PO LED COMPONENTS

ITEM	DESCRIPTION	CATALOG #
12	1 LED Board	1LEDULKIT**
14	Color Filter, Amber	250015900000
14	Color Filter, Blue	250015900001
14	Color Filter, Green	250015900002

** ZD = Zoneable & Dimmable (add ZD to front of part number)

* Kits do not include PO colored filters; must order separately

