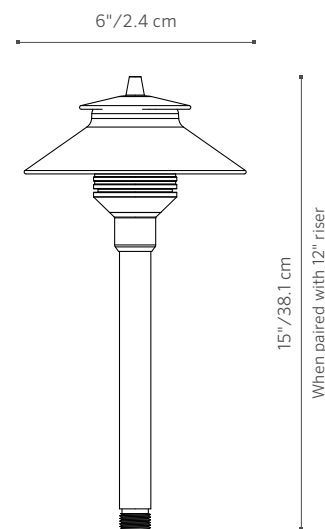




The wider angle of the PL allows broader lighting for larger spaces. Made of durable yet lightweight aluminum, the PL is built to last with an aesthetic design that complements the ambiance of any landscape.

PL: Path Light

NUMBER OF LEDs:	1	3
HALOGEN LUMEN OUTPUT EQUIVALENT:	10 Watt	20 Watt
USEFUL LED LIFE (L70):	50,000 hrs avg	50,000 hrs avg
INPUT VOLTAGE:	10 to 15V	10 to 15V
VA TOTAL: (Use to size the lighting controller)	2.4	4.5
WATTS USED:	2.0	4.2
LUMENS PER WATT (EFFICACY)	15.0	24.8
MAX LUMENS:	27	79
CRI (Ra)	85.1	81.5





PL: Path Light

FACTORY INSTALLED OPTIONS (TOP ASSEMBLY): Order 1 + 2

Step	Description	Code
1	TOP ASSEMBLY	PLLEDTA
2	TOP FINISH	WG, FW, AL, BZ, DG, WI, VF, SB, FB

EXAMPLE: **PLLEDTA-BZ** = PL Top Assembly - Bronze Metallic Finish

FACTORY INSTALLED OPTIONS (RISER ASSEMBLY): Order 1 + 2 (optional) + 3 + 4 + 5

Step	Description	Code
1	RISER TYPE	A
2	OPTIONAL ZD	ZD (Refer to the Luxor page in the Lighting Control section)
3	LAMP	1LED, 3LED (50,000 avg. life hours)
4	RISER HEIGHT	8RA, 12RA, 18RA, 24RA, 30RA, 36RA (in inches)
5	FINISH	WG, FW, AL, BZ, DG, WI, VF, SB, FB

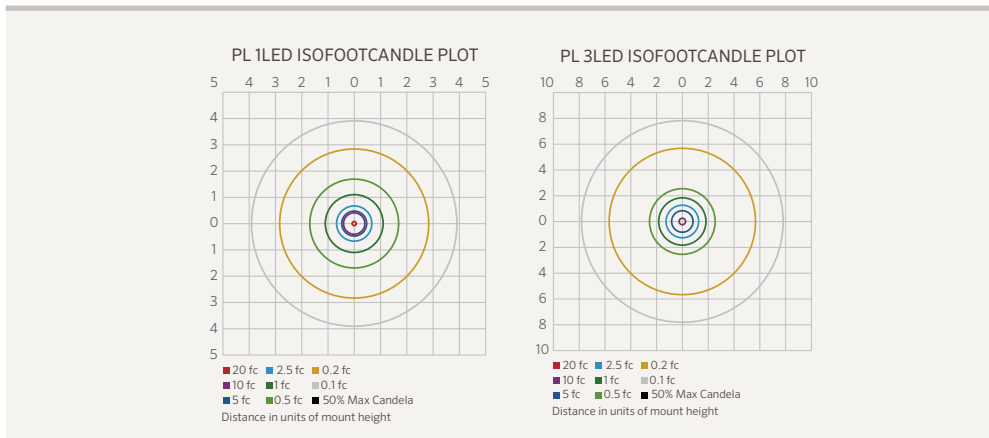
EXAMPLE: **A-ZD-1LED-12RA-BZ** = Riser Type - ZD Option - 1 LED Board - 12" Riser - Bronze Metallic Finish

FIELD INSTALLED OPTIONS: Order Individually

Mounting Options	
Long Slot Spike (250015840000) 2.5" x 10" Included ▶	
Super Slot Spike (753900) 2" x 10"	
SuperJ-Box (SJ-XX**) 2.5" x 12"	
Post Mount (PM-XX**) 2.5" x 13"	

EXAMPLE: **753900** = Super Slot Spike

PHOTOMETRICS:



Beam angle is calculated using LM-79 method for SSL Luminaires:
 "Beam angle is defined as two times the vertical angle at which the intensity is 50% of the maximum."

POWDER COAT

	WG = White Gloss
	FW = Flat White
	AL = Almond
	BZ = Bronze Metallic
	DG = Desert Granite
	WI = Weathered Iron
	VF = Verde Speckle
	SB = Sedona Brown
	FB = Flat Black

The PL includes your choice of 1 or 3LED board, riser size, finish, 3 ft. lead wire and a Long Slot Spike.

All PL path lights come standard with amber, green, blue and frosted filters

** Denotes finish code