



RD



WW



ST

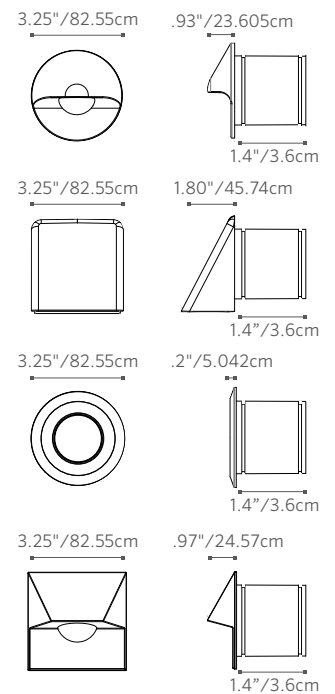


SQ

The MO offers the frosted glow of the PO in a larger 3LED for more light output and is the only 20 watt equivalent wall light compatible with the Luxor® system. Four interchangeable faceplates provide versatility, including use as a walkway light and recessed-style can light.

MO: Wall Lights

NUMBER OF LEDS:	1	3
HALOGEN LUMEN OUTPUT EQUIVALENT:	10 Watt	20 Watt
USEFUL LED LIFE (L70):	50,000 hrs avg	50,000 hrs avg
INPUT VOLTAGE:	10 to 15V	10 to 15V
VA TOTAL: (Use this number to size the transformer)	2.4	4.5
WATTS USED:	2.0	4.2
LUMENS PER WATT (EFFICACY):		
RD	18.38	20.84
SQ	17.64	20.36
ST	35.20	42.93
WW	6.28	8.15
MAX LUMENS:		
RD	35.80	83.50
SQ	34.10	81.70
ST	68.10	169.44
WW	12.90	33.20
CRI (Ra):	81.80	81.50



TUBE: 12" x 2.36" / 304.8 x 6cm



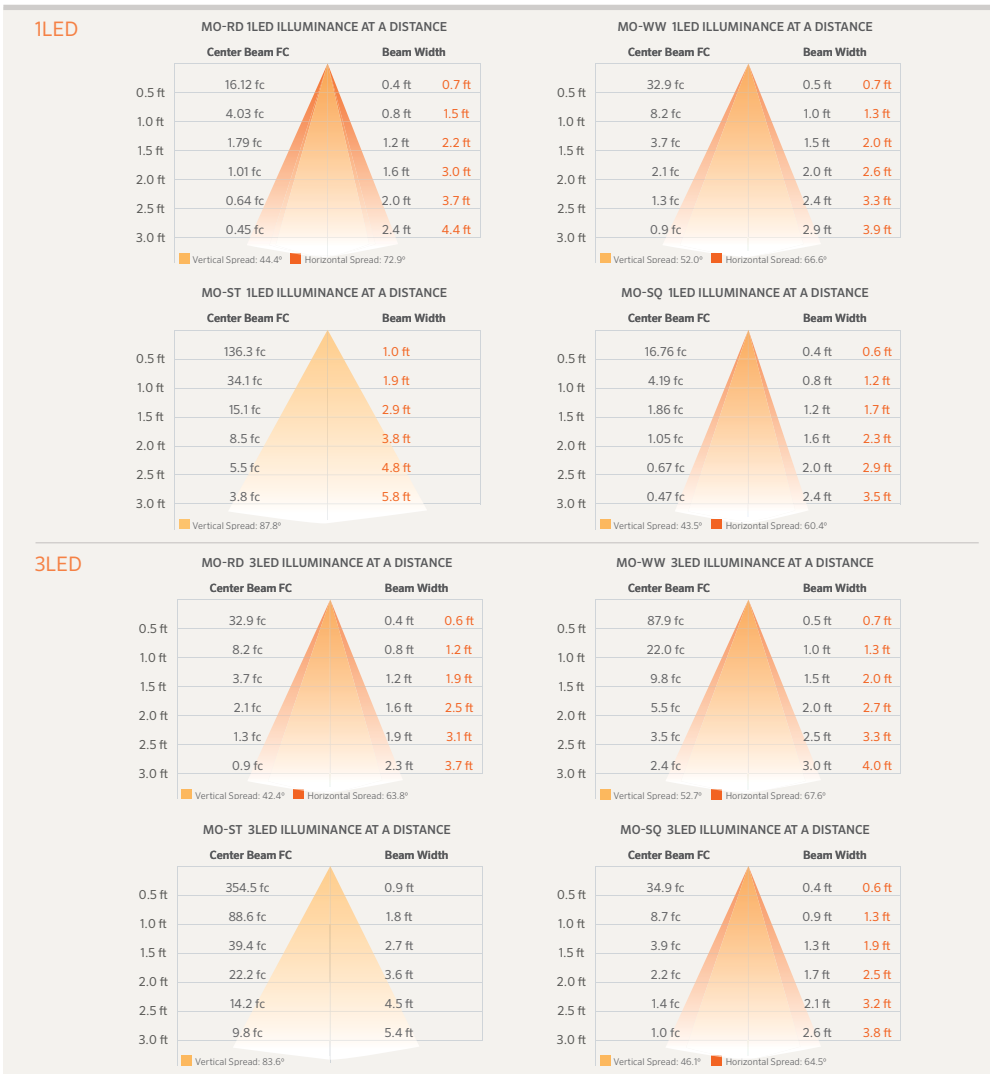
MO: Wall Lights

FACTORY INSTALLED OPTIONS: Order 1 + 2 (optional) + 3 + 4 + 5

Step	Description	Code
1	FIXTURE	MO
2	OPTIONAL ZD	ZD (Refer to the Luxor page in the Lighting Control section)
3	LAMP	1LED or 3LED (50,000 avg. life hours)
4	FACEPLATE	RD (Round), WW (Wall Wash), ST (Spot), SQ (Square)
5	FINISH	AB*, AT*, NP*, BS, WG, FW, AL, BZ, DG, WI, VF, SB, FB

EXAMPLE: MO-ZD-1LED-RD-BZ = MO - ZD Option - 1LED Board - Round Faceplate - Bronze Metallic Finish

PHOTOMETRICS:



METALS

- AB = Antique Bronze* (On Brass)
- AT = Antique Tumbled* (On Brass)
- NP = Nickel Plate*
- BS = Natural Brass

POWDER COAT

- WG = White Gloss
- FW = Flat White
- AL = Almond
- SV = Silver
- BZ = Bronze Metallic
- DG = Desert Granite
- WI = Weathered Iron
- VF = Verde Speckle
- SB = Sedona Brown
- FB = Flat Black

All MO wall lights come standard with amber, blue, and green filters

The MO includes a mounting conduit, 9 ft lead wire, and a choice of LED board and faceplate finish.

* May require longer lead time

Photometric Charts: Beam angle is calculated using LM-79 method for SSL Luminaires: Beam angle is defined as two times the vertical angle at which the intensity is 50% of the maximum.

