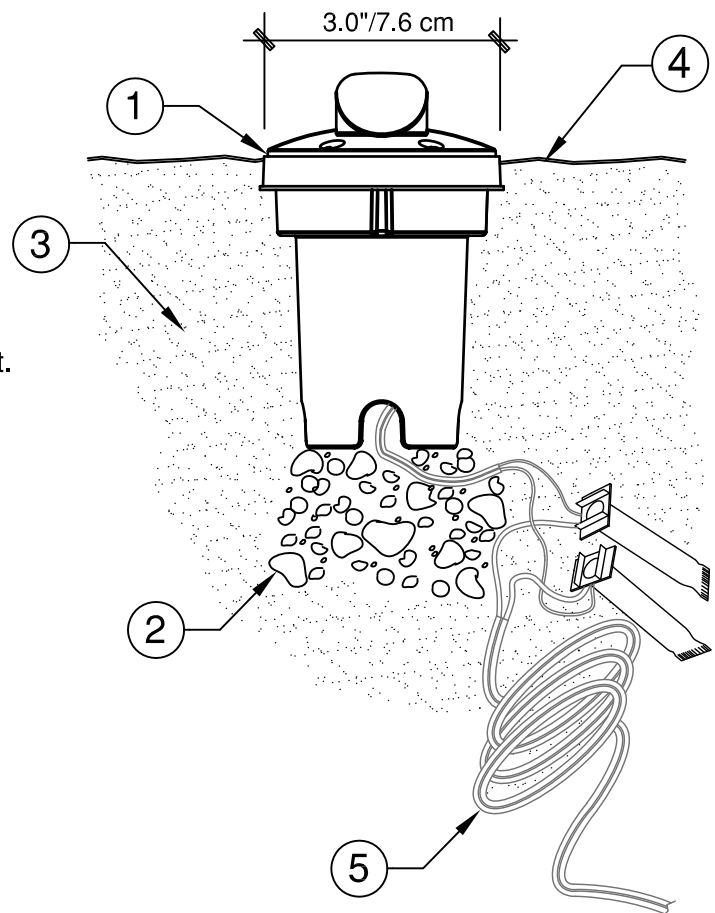


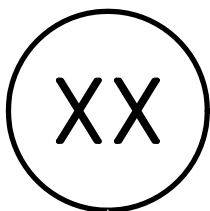
DETAIL LEGEND

- ① FX Luminaire FC fixture. See plan legend for wattage, beam spread and accessories.
- ② 4" pea gravel for drainage.
- ③ Existing soil profile.
- ④ Finished grade.
- ⑤ Direct bury, UF/UL, copper, low voltage cable with 3M DBR/Y-6 direct bury splice kit. Leave 18" minimum wire loop coiled below fixture for service.



NOTES

- A. Installation to be completed in accordance with manufacturer's specifications.
- B. Accepts 10-15 volts - AC or DC
- C. See plan legend for LED board and accessories.
- D. Always refer to FX product installation notes prior to installation.



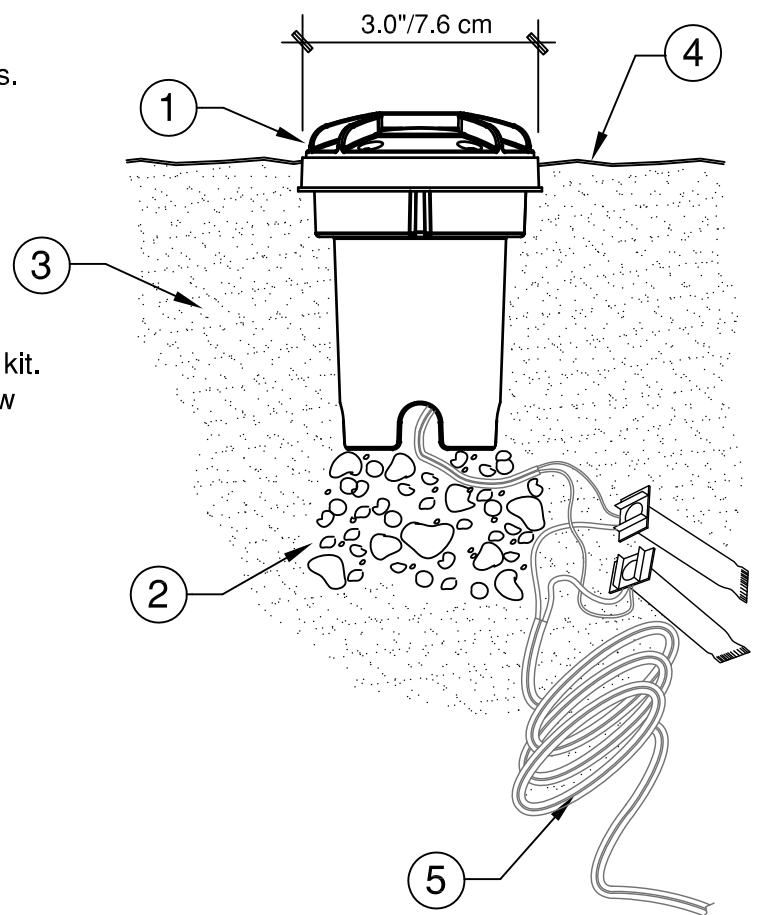
FC WELL LIGHT

IN-GROUND - Cowling (CW)

NOT TO SCALE

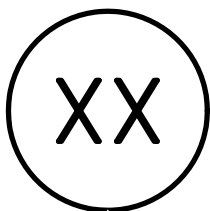
DETAIL LEGEND

- ① FX Luminaire FC fixture. See plan legend for wattage, beam spread and accessories.
- ② 4" pea gravel for drainage.
- ③ Existing soil profile.
- ④ Finished grade.
- ⑤ Direct bury, UF/UL, copper, low voltage cable with 3M DBR/Y-6 direct bury splice kit. Leave 18" minimum wire loop coiled below fixture for service.



NOTES

- A. Installation to be completed in accordance with manufacturer's specifications.
- B. Accepts 10-15 volts - AC or DC
- C. See plan legend for LED board and accessories.
- D. Always refer to FX product installation notes prior to installation.



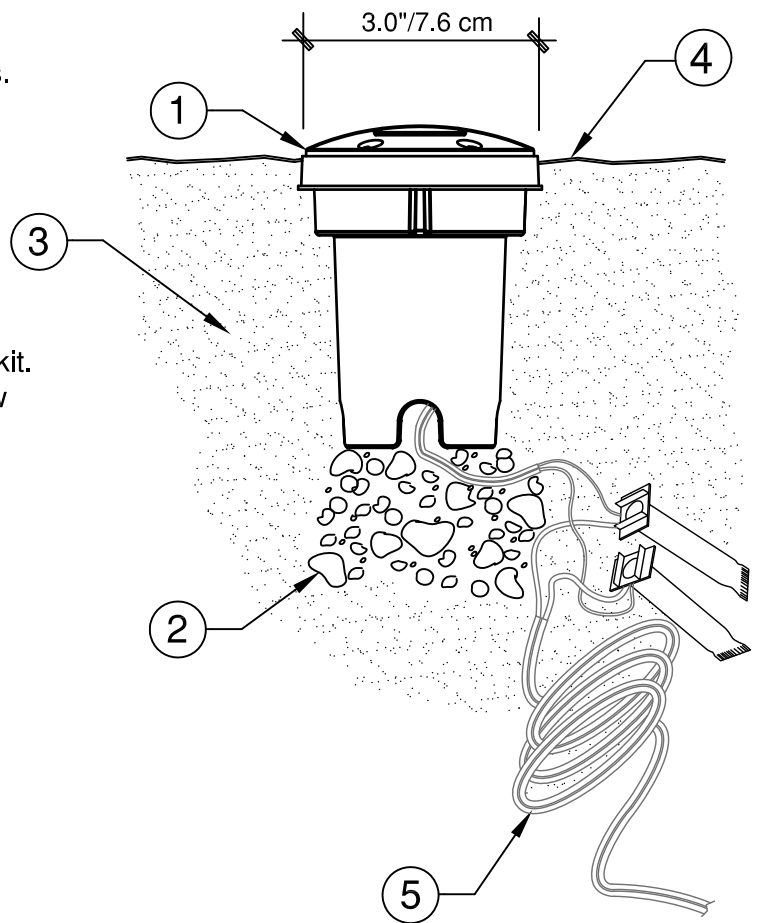
FC LOUVER

IN-GROUND - Louver (LV)

NOT TO SCALE

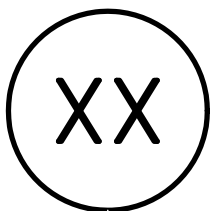
DETAIL LEGEND

- ① FX Luminaire FC fixture. See plan legend for wattage, beam spread and accessories.
- ② 4" pea gravel for drainage.
- ③ Existing soil profile.
- ④ Finished grade.
- ⑤ Direct bury, UF/UL, copper, low voltage cable with 3M DBR/Y-6 direct bury splice kit. Leave 18" minimum wire loop coiled below fixture for service.



NOTES

- A. Installation to be completed in accordance with manufacturer's specifications.
- B. Accepts 10-15 volts - AC or DC
- C. See plan legend for LED board and accessories.
- D. Always refer to FX product installation notes prior to installation.



FC WELL LIGHT IN-GROUND - Ring (RG)

NOT TO SCALE