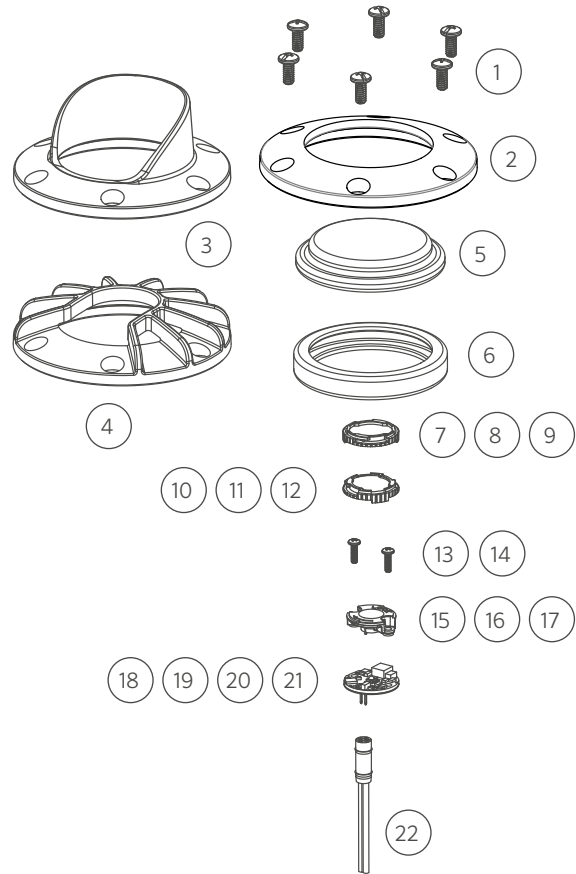


FC LED

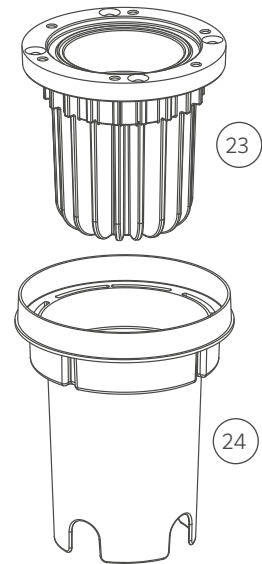
ITEM	DESCRIPTION	CATALOG #
1	Screw, 10-24 x 7/16	250019470000
Faceplate Option:		
2	Ring	FCFPRGXX*
3	Cowling	FCFPCWXX*
4	Louver	FCFPLVXX*
5	Glass Lens (Frosted)	250014240000 (250014240001)
6	Lens Seal	250014250000
7-9	Diffuser	See LED chart
10-12	Color Filter	See LED chart
13, 14	Screw, 4-40	See LED chart
15-17	Reflector	See LED chart
18-21	LED Board	See LED chart
22	Socket, 3-meter	-
23	Housing	-
24	Outer Housing	250014260000

*XX = powder coat color code



FC LED COMPONENTS

ITEM	DESCRIPTION	CATALOG #
12	1 LED Board	1LEDULKIT*
13	3 LED Board	3LEDULKIT* / ZDC3LEDKIT†
14	6 LED Board	6LEDULKIT*
15	9 LED Board	9LEDULKIT*
16	1 LED Reflector	770000
17	3 LED Reflector (ZDC)	770700 (250020690000)
18	6/9 LED Reflector	771400
19	1/3 LED Screw, 4-40 x 3/8 (Qty: 2)	762400
20	6/9 LED Screw, 4-40 x 7/16 (Qty: 3)	250014550000
21	1 LED Color Filter, Amber	770100
21	1 LED Color Filter, Blue	770101
21	1 LED Color Filter, Green	770102
22	3 LED Color Filter, Amber	770800
22	3 LED Color Filter, Blue	770801
22	3 LED Color Filter, Green	770802
23	6/9 LED Color Filter, Amber	771500
23	6/9 LED Color Filter, Blue	771501



ITEM	DESCRIPTION	CATALOG #
23	6/9 LED Color Filter, Green	771502
24	1 LED Diffuser	770600
24	3 LED Diffuser	771300
24	6/9 LED Diffuser	771600

* ZD = Zoneable & Dimmable (add ZD to front of part number)
 † ZDC kit includes LED board, reflector (#17), screws (#20), and flood lens diffuser (9LEDFLLENS)