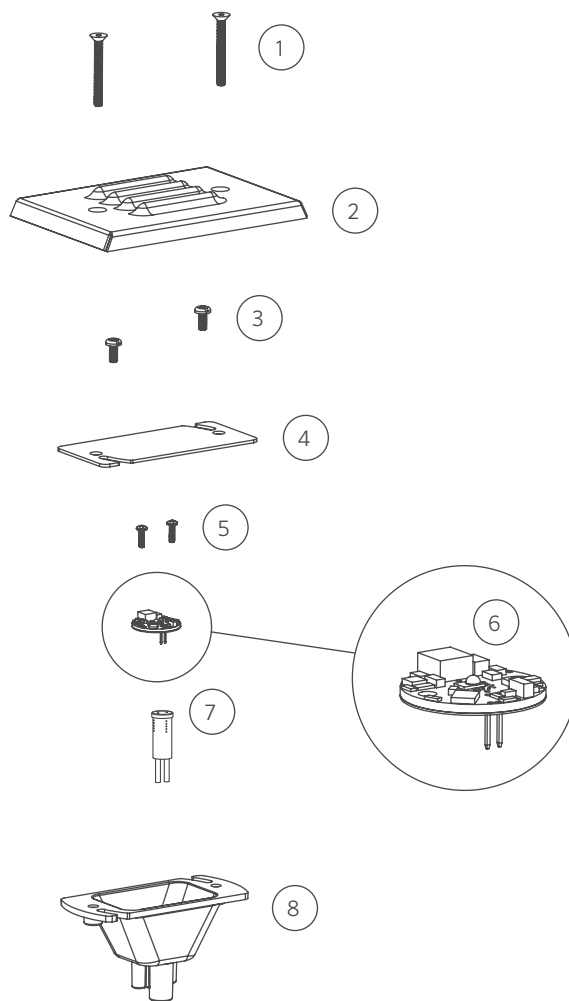


CP LED

ITEM	DESCRIPTION	CATALOG #
1	Screw, 8-32 x 1.5	250021670000
2	Faceplate, Lens, Gasket	-
3	Screw, 8-32 x 3/8	250013070000
4	Color Filter	See LED chart
5	Screw, 4-40 x 3/8	762400
6	LED Board	See LED chart
7	Socket, 3-meter	752601
8	Reflector	250015750000
9	Screw, 8-32 x 2	250013080000
10	Inner Box	250013030000
11	Sleeve Protector	250013130000
12	Outer Sleeve	250013150000
3-10	Retrofit Kit	CPLEDRETRO
1-2	Faceplate Assembly	CPFPXX*
	Hex Key, 3/32 long arm	250013120000

*XX = finish code



CP LED COMPONENTS

ITEM	DESCRIPTION	CATALOG #
4	Color Filter, Amber	250015770000
4	Color Filter, Blue	250015770001
4	Color Filter, Green	250015770002
6	1 LED Board	1LEDULKIT*†

*ZD = Zoneable & Dimmable (add ZD to front of part number)

† Kits do not include UN/CP colored filters; must order separately

