



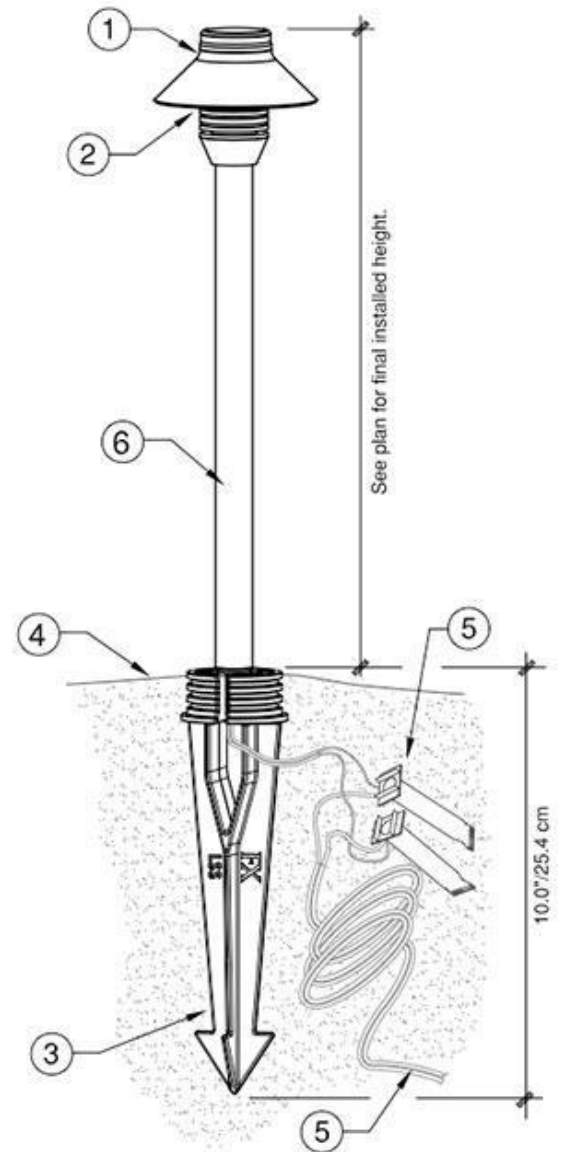
## LED PATH LIGHTS - INSTALLATION

### 1. LED Path Lights - Installation Details

1. FX Luminaire fixture. See plan legend for wattage, beam spread and accessories.
2. Twist top assembly clockwise onto riser, until the gab between the lens and the brass reducer is completely sealed.
3. FX Luminaire Long Slot Spike mount.
4. Finished grade.
5. Direct bury, UF/UL, copper, low voltage cable with 3M DBR/Y-6 direct bury splice kit. Leave 18" minimum wire loop coiled below fixture for service.
6. Petite Riser Assembly (PRA); see plan for height.

#### Notes

- Installation to be completed in accordance with manufacturer's specifications.
- Accepts 10-15 volts - AC or DC
- See plan legend for LED board and accessories
- Always refer to FX product installation notes prior to installation.



## 2. LED Path Lights - Recommended Splicing Options

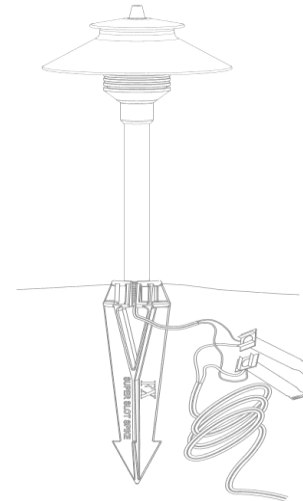
### DBRY-6 Direct Bury Splice Kit

With any low voltage lighting system, waterproof connections are crucial to maximizing the life of the system. 3M's DBRY-6 shown here are the recommended waterproof connectors for FX fixtures. DBRY-6 connectors are available directly from FX Luminaire in bulk packs - Bulk 100 connectors (**DBRY100**) and 25 connectors (**DBRY2X25**).



### Installation Instructions

1. Strip wire insulation 3/4"
2. With wire ends even, insert wires into the connector and tighten until secure
3. Insert the connector all the way into the tube until the connector rests on the bottom
4. Fold the wires into the channels
5. Close the cap



## 3. LED Path Lights – Mounting

### POST MOUNT

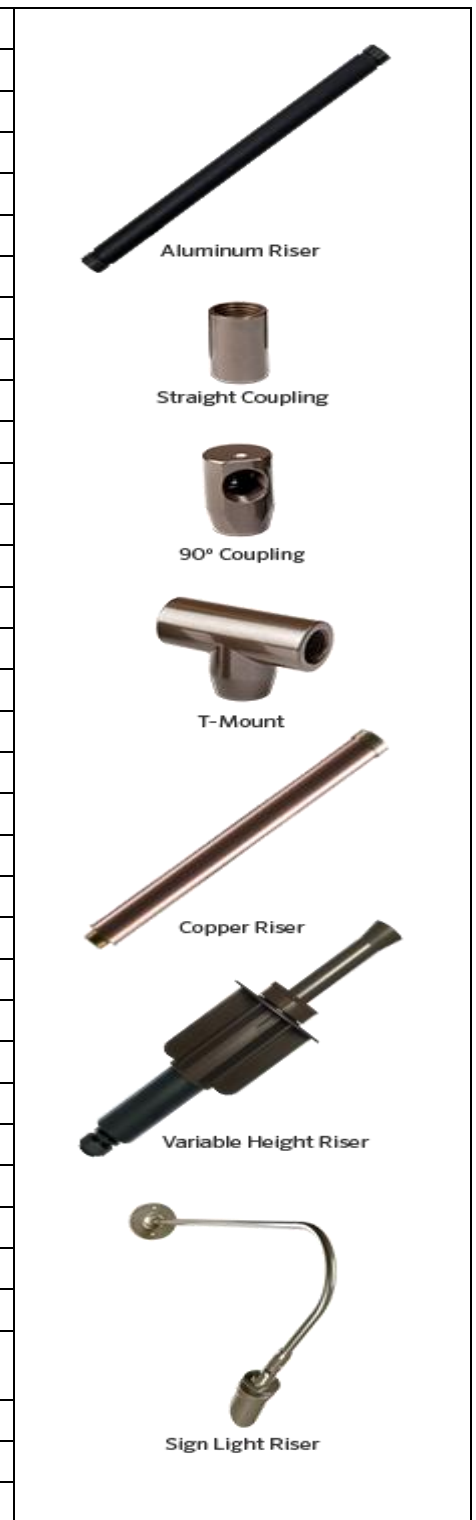
Catalog No	Description	
PDM-XX *	Deck Mount for PM	
PM-XX *	Post Mount	

### SPIKES

Catalog No	Description	
250020020000	3-Prong Spike	
250011560000	CDS Spike	
250015840000	Long Slot Spike	
753900	Super Slot Spike	
SJ-XX *	Super J-Box	

## RISER HEIGHT AND COUPLING OPTIONS

Catalog No	Description
6R-XX *	6" Aluminum Riser, ½" NPSM Threads
8R-XX *	8" Aluminum Riser, ½" NPSM Threads
12R-XX *	12" Aluminum Riser, ½" NPSM Threads
18R-XX *	18" Aluminum Riser, ½" NPSM Threads
24R-XX *	24" Aluminum Riser, ½" NPSM Threads
COUP-XX *	Straight Coupling
6R-COUP-XX *	6" Aluminum Riser, w/ Straight Coupling
8R-COUP-XX *	8" Aluminum Riser, w/ Straight Coupling
12R-COUP-XX *	12" Aluminum Riser, w/ Straight Coupling
18R-COUP-XX *	18" Aluminum Riser, w/ Straight Coupling
24R-COUP-XX *	24" Aluminum Riser, w/ Straight Coupling
ELBW-050-XX *	90° Coupling
6R-90-XX *	6" Aluminum Riser, w/ 90° Coupling
8R-90-XX *	8" Aluminum Riser, w/ 90° Coupling
12R-90-XX *	12" Aluminum Riser, w/ 90° Coupling
18R-90-XX *	18" Aluminum Riser, w/ 90° Coupling
24R-90-XX *	24" Aluminum Riser, w/ 90° Coupling
30R-90-XX *	30" Aluminum Riser, w/ 90° Coupling
36R-90-XX *	36" Aluminum Riser, w/ 90° Coupling
TMNT-050-XX *	T-Mount
6R-T-XX *	6" Aluminum Riser, w/ T-Mount
8R-T-XX *	8" Aluminum Riser, w/ T-Mount
12R-T-XX *	12" Aluminum Riser, w/ T-Mount
18R-T-XsX *	18" Aluminum Riser, w/ T-Mount
24R-T-XX *	24" Aluminum Riser, w/ T-Mount
30R-T-XX *	30" Aluminum Riser, w/ T-Mount
36R-T-XX *	36" Aluminum Riser, w/ T-Mount
8R-GT-XX *	8" Copper Riser ½" NPT Brass Threads
12R-GT-XX *	12" Copper Riser ½" NPT Brass Threads
18R-GT-XX *	18" Copper Riser ½" NPT Brass Threads
24R-GT-XX *	24" Copper Riser ½" NPT Brass Threads
VHRUL	Variable Height Riser for Up Lights, Extends 0" to 7"
24R-SL-XX *	24" Sign Light Riser, w/ 1/2" NPSM Threads
36R-SL-XX *	36" Sign Light Riser, w/ 1/2" NPSM Threads
48R-SL-XX *	48" Sign Light Riser, w/ 1/2" NPSM Threads



\* Denotes finish code