



VIET GARDEN CO., LTD

Hunter's Distributor in Vietnam

205 Dao Duy Tu St., Dist.10, HCM City, Vietnam

Tel: 84-8-3957 4060 Fax: 84-8-3957 4059 Website: www.vietgardens.vn

FXLuminaire

LED DOWN LIGHTS - INSTALLATION

1. LED Down Lights - Recommended Splicing Options

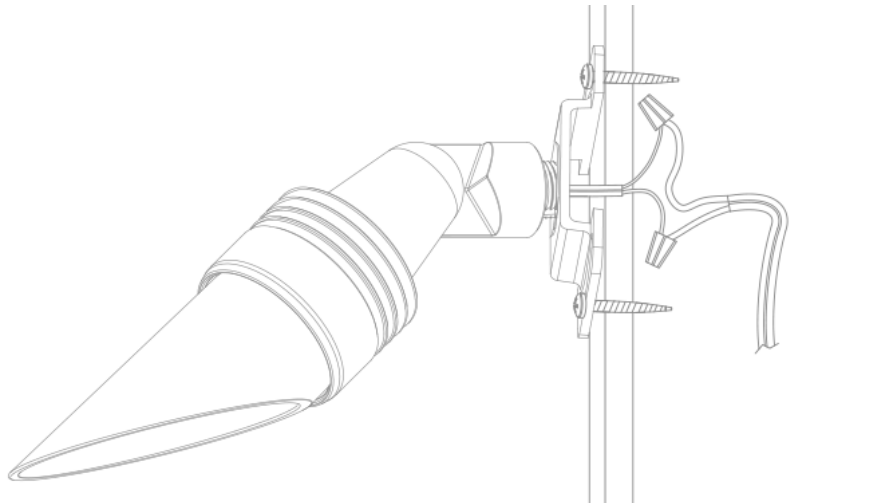
DBRY-6 Direct Bury Splice Kit

With any low voltage lighting system, waterproof connections are crucial to maximizing the life of the system. 3M's DBRY-6 shown here are the recommended waterproof connectors for FX fixtures. DBRY-6 connectors are available directly from FX Luminaire in bulk packs - Bulk 100 connectors (**DBRY100**) and 25 connectors (**DBRY2X25**).



Installation Instructions


1. Strip wire insulation 3/4"
2. With wire ends even, insert wires into the connector and tighten until secure
3. Insert the connector all the way into the tube until the connector rests on the bottom
4. Fold the wires into the channels
5. Close the cap



2. LED Down Lights - Mounting

Accessories


VERSA BOX

Catalog No	Description	
VB-050-XX *	VersaBox for ½" Thread	
VB-TS-XX *	VersaBox for TS Down Light	



MINI J-BOX

Catalog No	Description	
MJ-050-XX *	Mini J-box for ½" Thread	
MJ-TS-XX *	Mini J-box for TS Down Lights	

TREEBOX MOUNT

Catalog No	Description	
TB-XX *	TreeBox with ½" thread	

WALL MOUNT

Catalog No	Description	
POBRKT	PO Mounting Bracket	 
MOBRKT	MO Mounting Bracket	
WM-XX *	Wall Mount with Zinc Knuckle	

PO Bracket

Wall Mount

* Denotes finish code